

# BOSCH

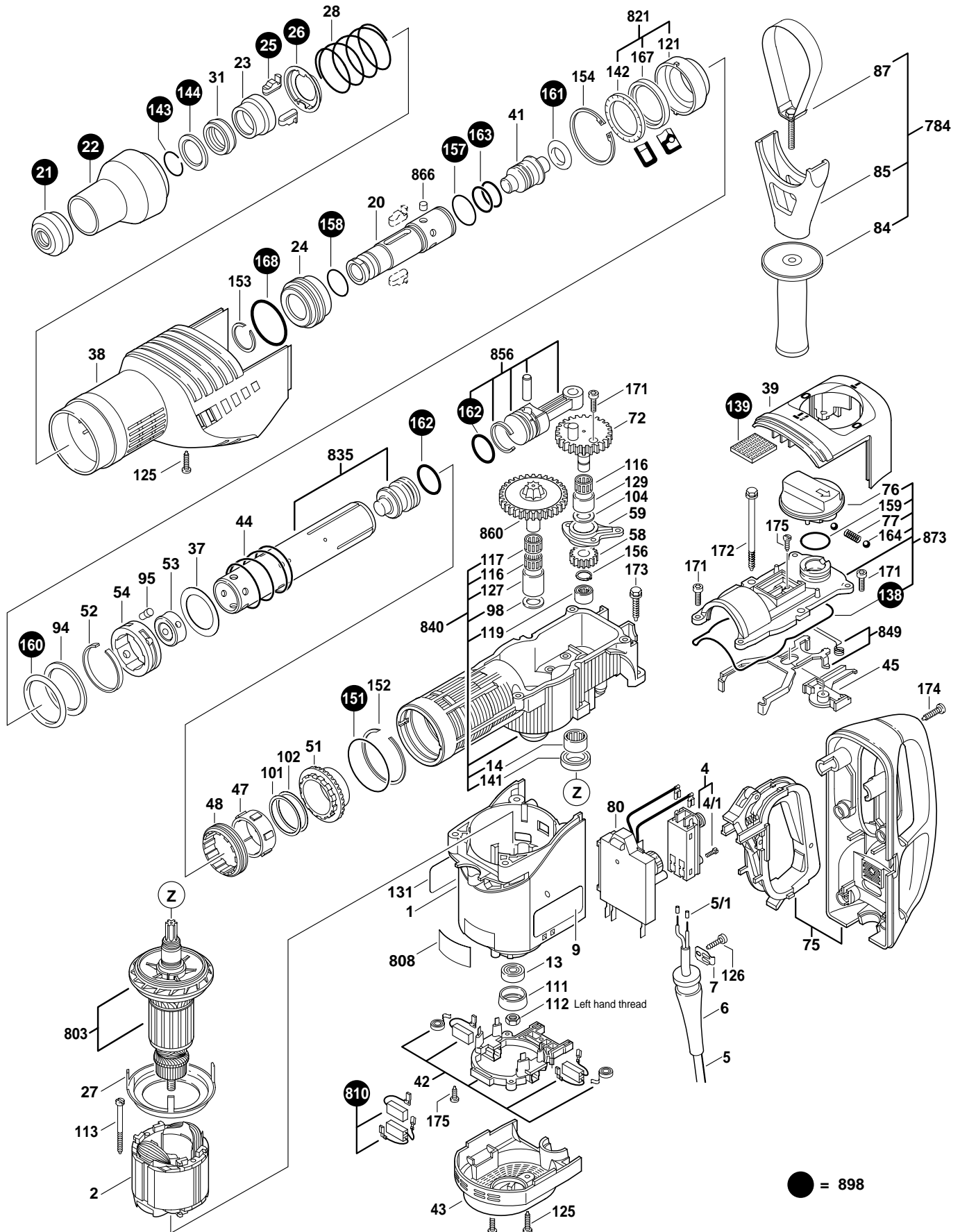
June 2002  
INDUSTRIAL

## ROTARY HAMMER

### Model 0611235839

# 11235EVS

(839)



# 11235EVS ROTARY HAMMER

Pos.	Part Number	Description {Qty.}	F/C	Pos.	Part Number	Description {Qty.}	F/C
1	1 615 108 078	Motor Housing	71	116	1 610 913 004	Needle Bearing {2}	56
2	1 614 220 141	Field 120V	22	117	1 610 913 011	Needle Bearing	56
4	1 617 200 048	Switch	15	119	1 610 910 081	Needle Bearing	56
4/1	2 910 011 088	Screw	89	121	1 610 328 016	Bushing	82
5	1 604 460 092	Cord	11	125	1 613 435 011	Screw {2}	89
5/1	1 900 452 003	Terminal Sleeve {2}	10	126	2 910 211 019	Screw	89
6	1 610 703 053	Strain Relief	11	127	1 610 300 060	Bushing	82
7	1 601 302 018	Cord Clamp	89	129	1 610 300 067	Bushing	56
9	1 611 110 C40	Label	9	131	2 610 995 453	Label	9
13	1 610 900 026	Ball Bearing	60	138	1 611 015 047	Gasket	79
14	1 610 910 089	Needle Bearing	61	139	1 612 380 010	Gasket	79
20	1 618 597 072	Drill Holder	83	141	1 610 290 028	Seal	77
21	1 610 508 035	Dust Shield	92	142	1 610 290 050	Seal	77
22	1 610 591 021	Sleeve	92	143	1 614 601 021	Spring Ring	89
23	1 610 520 001	Stop Sleeve	8	144	1 610 103 021	Support Disc	65
24	1 610 500 016	Bushing	82	151	1 610 210 148	O-Ring	78
25	1 612 300 027	Locking Cog {2}	66	152	1 614 601 029	Retaining Ring	89
26	1 610 290 025	Locking Ratchet	86	153	1 614 601 028	Retaining Ring	89
27	1 610 591 023	Air Deflector	23	154	1 610 119 011	Retaining Ring	89
28	1 614 621 004	Spring	27	156	2 916 650 003	Retaining Ring	89
31	1 610 290 049	Bushing	82	157	1 610 210 142	O-Ring	78
37	1 610 102 047	Support Disc	65	158	1 610 210 139	O-Ring	78
38	1 615 190 079	Plastic Sleeve	70	159	1 610 210 141	O-Ring	78
39	1 615 190 108	Cover	70	160	1 610 210 140	O-Ring	78
41	1 613 124 053	Impact Bolt	45	161	1 610 210 145	O-Ring	78
42	1 614 336 026	Brush Holder Assembly	25	162	1 610 210 109	O-Ring {2}	44
43	1 615 500 296	Motor Housing Cover	70	163	1 610 210 144	O-Ring {2}	78
44	1 614 621 005	Spring	27	164	1 903 230 013	Ball 7mm {2}	86
45	1 610 591 022	Plate	62	167	1 610 290 051	Seal	77
47	1 619 990 149	Bushing	82	168	1 610 210 149	O-Ring	78
48	1 619 990 151	Clutch Sleeve	82	171	1 613 414 014	Screw {8}	89
51	1 616 333 035	Gear	33	172	1 613 435 008	Screw & Washer {2}	89
52	1 610 224 005	Retaining Ring	89	173	2 914 541 008	Screw & Washer {2}	89
53	1 610 231 000	Guide Bushing	82	174	1 613 435 010	Screw {6}	89
54	1 610 190 033	Collar	82	175	2 912 401 018	Screw {3}	89
58	1 616 317 056	Intermediate Gear	31	784	2 602 025 103	Auxiliary Handle Assembly	9
59	1 615 805 067	Bearing Flange	38			w/pos. 84, 85, 87	
72	1 616 317 057	Eccentric Gear	34	803	1 614 010 218	Armature w/Fan 120V	AW
75	1 615 132 074	Handle Assembly	74	808	1 601 106 999	Nameplate	9
76	1 612 026 078	Selector Knob	64	810	1 617 014 135	Brush Set	26
77	1 614 610 010	Spring	27	821	1 617 000 824	Bushing Assembly	82
80	1 617 233 029	Speed Control 120V	17			w/pos. 121, 142, 167	
84	1 612 025 050	Auxiliary Handle	74	835	1 617 000 417	Guide Tube Assembly	43
85	1 618 040 071	Clamp Holder	80	840	1 617 000 825	Impact Housing Assembly	73
87	1 617 000 834	Clamping Band	80			w/pos. 14, 98, 116, 117, 119, 127, 141	
94	1 610 290 052	Support Disc	65	849	1 617 000 826	Fork/Spring Assembly	63
95	1 613 120 018	Pin {4}	66	856	1 617 000 845	Piston Assembly	47
98	1 610 101 015	Washer	65			w/pos. 162	
* 101	1 610 102 049	Shim	65	860	1 617 000 828	Clutch Assembly	46
* 102	1 610 102 048	Shim	65	866	1 617 000 406	Pin Set (6pcs.)	66
104	1 610 190 027	Washer	65	873	1 617 000 830	Housing Cover Assembly	70
111	1 610 290 046	Bearing Sleeve	82			w/pos. 76, 77, 138, 159, 164	
112	1 613 300 007	Nut LH	89	898	1 617 000 409	Service Pack	1
113	1 613 412 001	Screw {2}	89				