

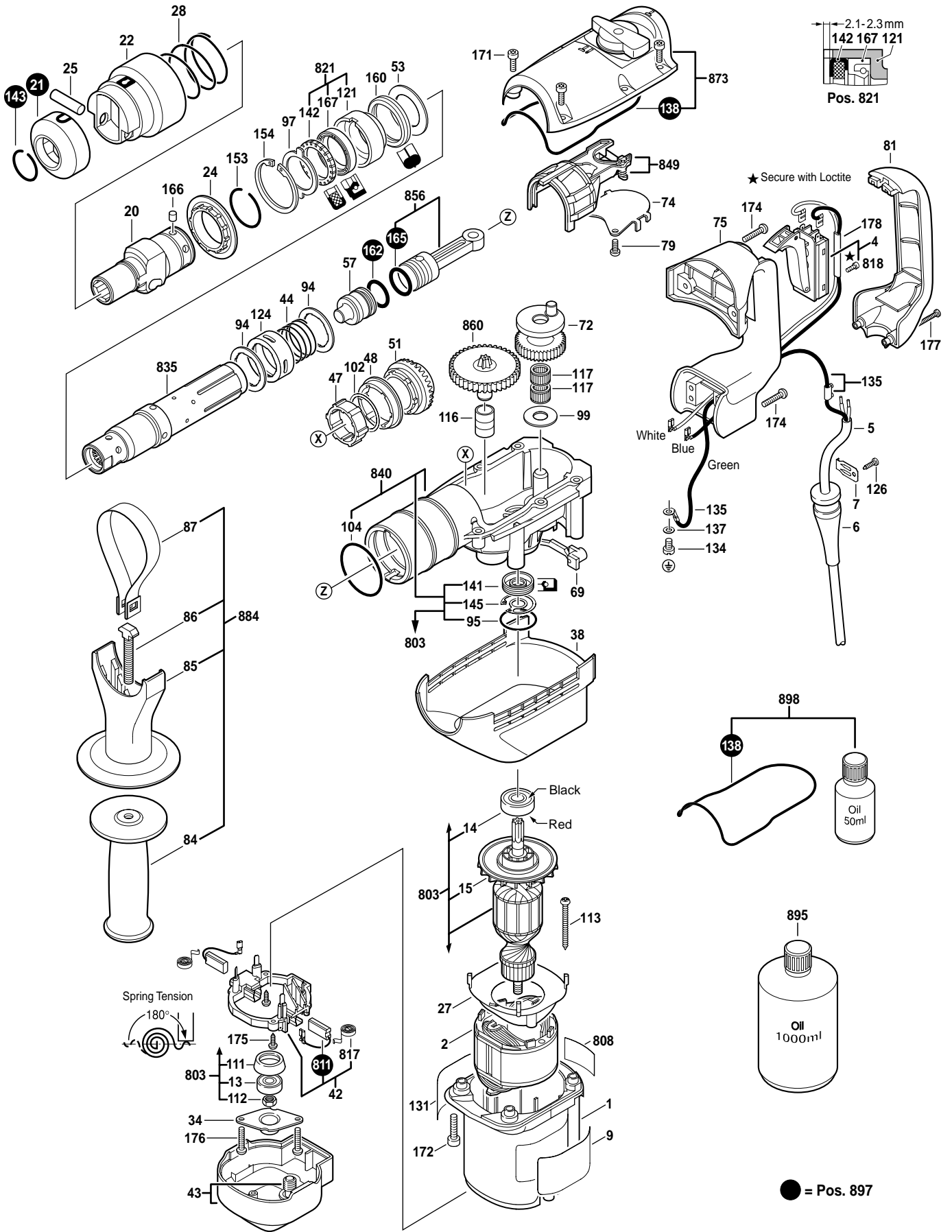
BOSCH

June 2002
INDUSTRIAL

ROTARY HAMMER

Model 0611247039

11247



11247 ROTARY HAMMER

Pos.	Part Number	Description {Qty.}	F/C	Pos.	Part Number	Description {Qty.}	F/C
1	1 615 102 154	Motor Housing	71	121	1 610 328 019	Bushing	82
2	1 614 220 150	Field	22	124	1 610 115 001	Sleeve	82
4	1 617 200 091	Switch	15	126	2 910 211 019	Screw	89
		w/pos. 818		131	1 611 110 C55	Label	9
5	1 614 461 034	Cord	11	134	2 910 110 116	Screw	89
6	1 610 703 053	Strain Relief	11	135	1 614 414 016	Cable	10
7	1 601 302 018	Cord Clamp	89	137	2 916 699 130	Lock Washer	65
9	1 611 110 C59	Label	9	138	1 611 015 053	Gasket	79
13	1 610 900 026	Ball Bearing	60	141	1 610 290 066	Seal	77
14	1 610 905 028	Ball Bearing	61	142	1 610 290 069	Seal	77
15	1 616 610 085	Fan	23	143	2 916 540 017	Spring Ring	89
20	1 618 597 079	Tool Holder	84	145	1 610 119 012	Retaining Ring	89
21	1 610 508 044	Dust Shield	92	153	2 916 540 020	Retaining Ring	89
22	1 610 591 033	Sleeve	86	154	2 916 660 023	Retaining Ring	89
24	1 610 500 020	Disc	86	160	1 610 210 161	Ring	9
25	1 613 100 029	Lock Bolt	86	162	1 610 210 163	O-Ring	78
27	1 600 591 032	Air Deflector	24	165	1 610 210 079	O-Ring	78
28	1 614 621 000	Spring	86	166	1 613 200 015	Pin	66
34	1 610 516 013	Flange	9	167	1 610 283 033	Seal	77
38	1 615 190 098	Cover	9	171	1 613 435 016	Screw {6}	89
42	1 614 336 041	Bush Holder	25	172	1 613 435 013	Screw {4}	89
		w/pos. 811, 817		174	1 613 435 012	Screw {4}	89
43	1 615 500 303	Cover	70	175	2 912 401 018	Screw {2}	89
44	1 614 617 003	Spring	27	176	1 613 435 012	Screw {2}	89
47	1 610 300 064	Sleeve	82	177	1 603 435 051	Screw {2}	89
48	1 616 334 012	Sleeve	82	178	1 604 412 069	Cable	10
51	1 616 333 041	Gear	33	803	1 614 011 090	Armature Assembly	AW
53	1 610 290 068	Washer	65			w/pos. 13, 14, 15, 95, 111, 112, 141, 145	
57	1 618 710 081	Striker	44				
69	1 610 099 004	Bracket	62	808	1 611 104 999	Nameplate	9
72	1 616 317 064	Eccentric Gear	34	811	1 617 014 138	Brush Set	26
74	1 611 921 001	Plate	9	817	1 614 652 004	Brush Spring {2}	27
75	1 615 132 078	Handle	74	818	2 910 011 088	Screw {2}	89
79	1 613 435 015	Screw {2}	89	821	1 617 000 842	Bushing Assembly	82
81	1 615 132 079	Handle Cover	74			w/pos. 121, 142, 167	
84	1 612 025 050	Auxiliary Handle	9	835	1 617 000 448	Guide Tube Assembly	43
85	1 618 040 074	Clamp Holder	80	840	1 617 000 847	Gear Housing Assembly	72
86	1 613 490 002	T-Bolt	80			w/pos. 95, 104, 141, 145	
87	1 611 316 019	Clamping Band	80	849	1 617 000 839	Fork Assembly	62
94	1 610 102 056	Washer {2}	65	856	1 617 000 843	Piston Assembly	47
95	1 610 210 173	O-Ring	78			w/pos. 165	
97	1 610 031 005	Washer	65	860	1 617 000 844	Clutch Assembly	67
99	1 610 102 059	Washer	65	873	1 617 000 860	Gear Housing Cover	70
* 102	1 610 102 057	Shim 0.3mm	65			w/pos. 138	
* 102	1 610 102 058	Shim 0.2mm	65	884	1 612 025 055	Auxiliary Handle	9
104	1 610 210 160	O-Ring	78			w/pos. 84, 85, 86, 87	
111	1 610 290 064	Bushing	82	895	1 615 430 019	Oil	1
112	1 613 300 008	Nut	89	897	1 617 000 446	Service Pack	78
113	1 613 435 009	Screw {2}	89			w/pos. 21, 138, 143, 162 165, 811	
116	1 610 311 017	Bushing	82				
117	1 610 913 004	Needle Bearing {2}	56	898	1 615 437 511	Oil w/pos. 138	1

Service Notes: