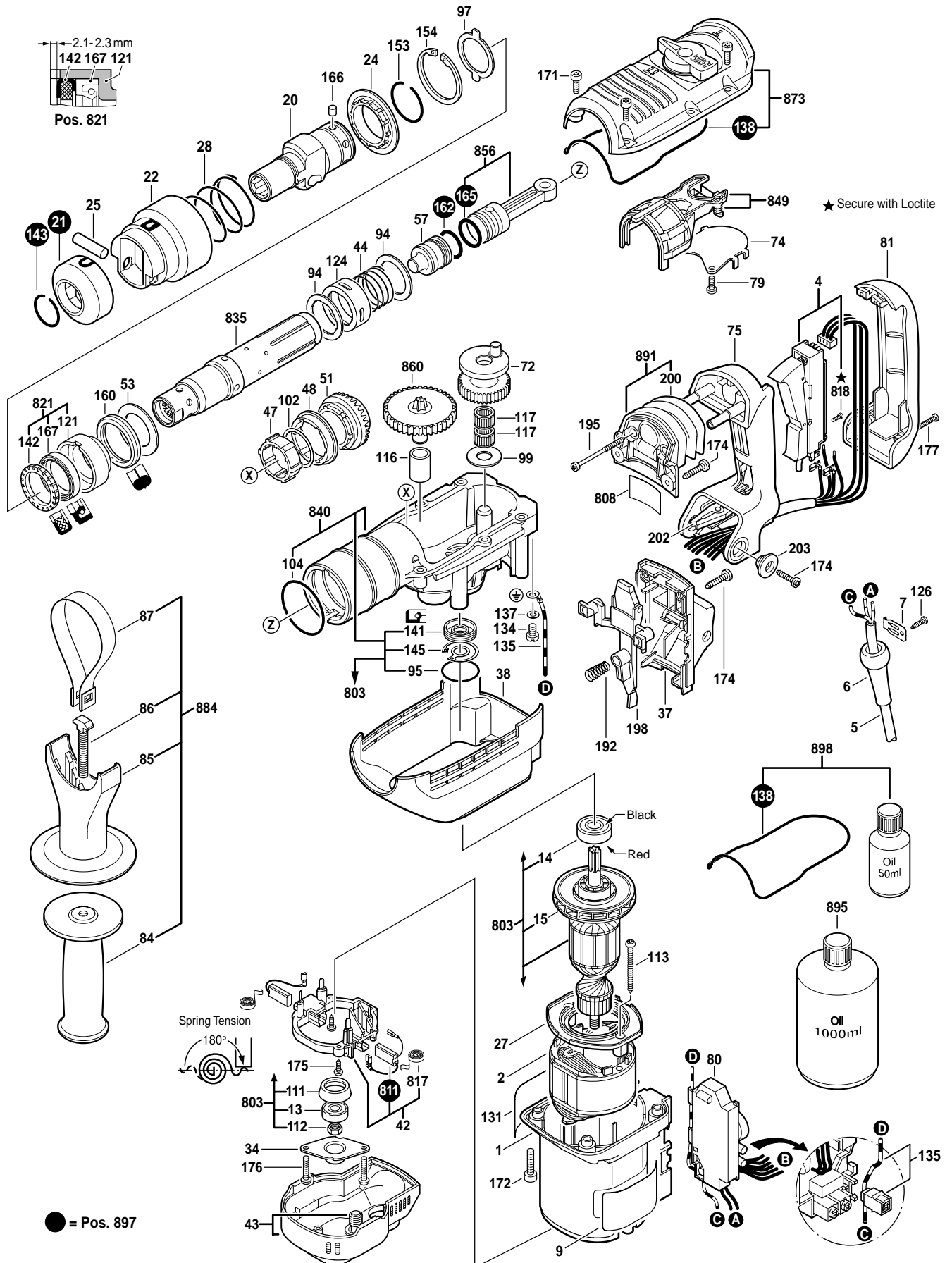


# BOSCH

June 2002  
INDUSTRIAL

ROTARY HAMMER  
Model 0611248739

## 11248EVS



# 11248EVS ROTARY HAMMER

Pos.	Part Number	Description {Qty.}	F/C	Pos.	Part Number	Description {Qty.}	F/C
1	1 615 102 155	Motor Housing	71	131	1 611 110 C71	Label	9
2	1 614 220 163	Field	22	134	2 910 110 116	Screw	89
4	1 617 200 094	Switch	15	135	1 614 431 031	Cable	10
		w/pos. 818		137	2 916 699 130	Lock Washer	65
5	1 614 461 035	Cord	11	138	1 611 015 053	Gasket	79
6	1 610 703 056	Strain Relief	11	141	1 610 290 066	Seal	77
7	1 601 302 019	Clamp	89	142	1 610 290 069	Seal	77
9	1 611 110 C60	Label	9	143	2 916 540 017	Spring Ring	89
13	1 610 900 026	Ball Bearing	60	145	1 610 119 012	Retaining Ring	89
14	1 610 905 028	Ball Bearing	61	153	2 916 540 020	Retaining Ring	89
15	1 616 610 090	Fan	23	154	2 916 660 023	Retaining Ring	89
20	1 618 597 079	Tool Holder	84	160	1 610 210 161	Ring	9
21	1 610 508 044	Dust Shield	92	162	1 610 210 163	O-Ring	78
22	1 610 591 033	Sleeve	86	165	1 610 210 079	O-Ring	78
24	1 610 500 020	Disc	86	166	1 613 200 015	Pin	66
25	1 613 100 029	Lock Bolt	86	167	1 610 283 033	Seal	77
27	1 610 591 028	Air Deflector	24	171	1 613 435 016	Screw {6}	89
28	1 614 621 000	Spring	86	172	1 613 435 013	Screw {4}	89
34	1 610 516 013	Flange	9	174	1 613 435 012	Screw {4}	89
37	1 615 500 315	Bracket	9	175	2 912 401 018	Screw {2}	89
38	1 615 190 101	Cover	9	176	1 613 435 012	Screw {2}	89
42	1 614 336 046	Bush Holder	25	177	1 603 435 051	Screw {2}	89
		w/pos. 811, 817		192	1 614 611 019	Spring	27
43	1 615 500 322	Cover	70	195	1 613 435 020	Screw {2}	89
44	1 614 617 003	Spring	27	198	1 618 900 001	Lever	64
47	1 610 300 064	Sleeve	82	200	1 610 284 000	Bellows	9
48	1 616 334 012	Sleeve	82	202	1 611 010 006	Hook {2}	9
51	1 616 333 041	Gear	33	203	1 610 322 009	Washer {2}	65
53	1 610 290 068	Washer	65	803	1 614 011 109	Armature Assembly	AW
57	1 618 710 081	Striker	44			w/pos. 13, 14, 15, 95, 111, 112, 141, 145	
72	1 616 317 064	Eccentric Gear	34	808	1 611 104 999	Nameplate	9
74	1 611 921 001	Plate	9	811	1 617 014 135	Brush Set	26
75	1 615 132 087	Handle	74	817	1 614 652 004	Brush Spring {2}	27
79	1 613 435 015	Screw {2}	89	818	2 910 011 082	Screw {2}	89
80	1 617 233 033	Speed Control	17	821	1 617 000 842	Bushing Assembly	82
81	1 615 132 088	Handle Cover	74			w/pos. 121, 142, 167	
84	1 612 025 054	Auxiliary Handle	9	835	1 617 000 448	Guide Tube Assembly	43
85	1 618 040 074	Clamp Holder	80	840	1 617 000 847	Gear Housing Assembly	72
86	1 613 490 001	T-Bolt	80			w/pos. 95, 104, 141, 145	
87	1 611 316 019	Clamping Band	80	849	1 617 000 839	Fork Assembly	62
94	1 610 102 056	Washer {2}	65	856	1 617 000 843	Piston Assembly	47
95	1 610 210 173	O-Ring	78			w/pos. 165	
97	1 610 031 005	Washer	65	860	1 617 000 844	Clutch Assembly	67
99	1 610 102 059	Washer	65	873	1 617 000 861	Gear Housing Cover	70
* 102	1 610 102 057	Shim	65			w/pos. 138	
* 102	1 610 102 058	Shim	65	884	1 612 025 055	Auxiliary Handle	9
104	1 610 210 160	O-Ring	78			w/pos. 84, 85, 86, 87	
111	1 610 290 064	Bushing	82	891	1 617 000 853	Shock Absorber	9
112	1 613 300 008	Nut	89			w/pos. 200	
113	1 613 435 009	Screw {2}	89	895	1 615 430 019	Oil	1
116	1 610 311 017	Bushing	82	897	1 617 000 451	Service Pack	78
117	1 610 913 004	Needle Bearing {2}	56			w/pos. 21, 138, 143, 162, 165, 811	
121	1 610 328 019	Bushing	82	898	1 615 437 511	Oil w/pos. 138	1
124	1 610 115 001	Sleeve	82				
126	2 910 211 019	Screw	89				