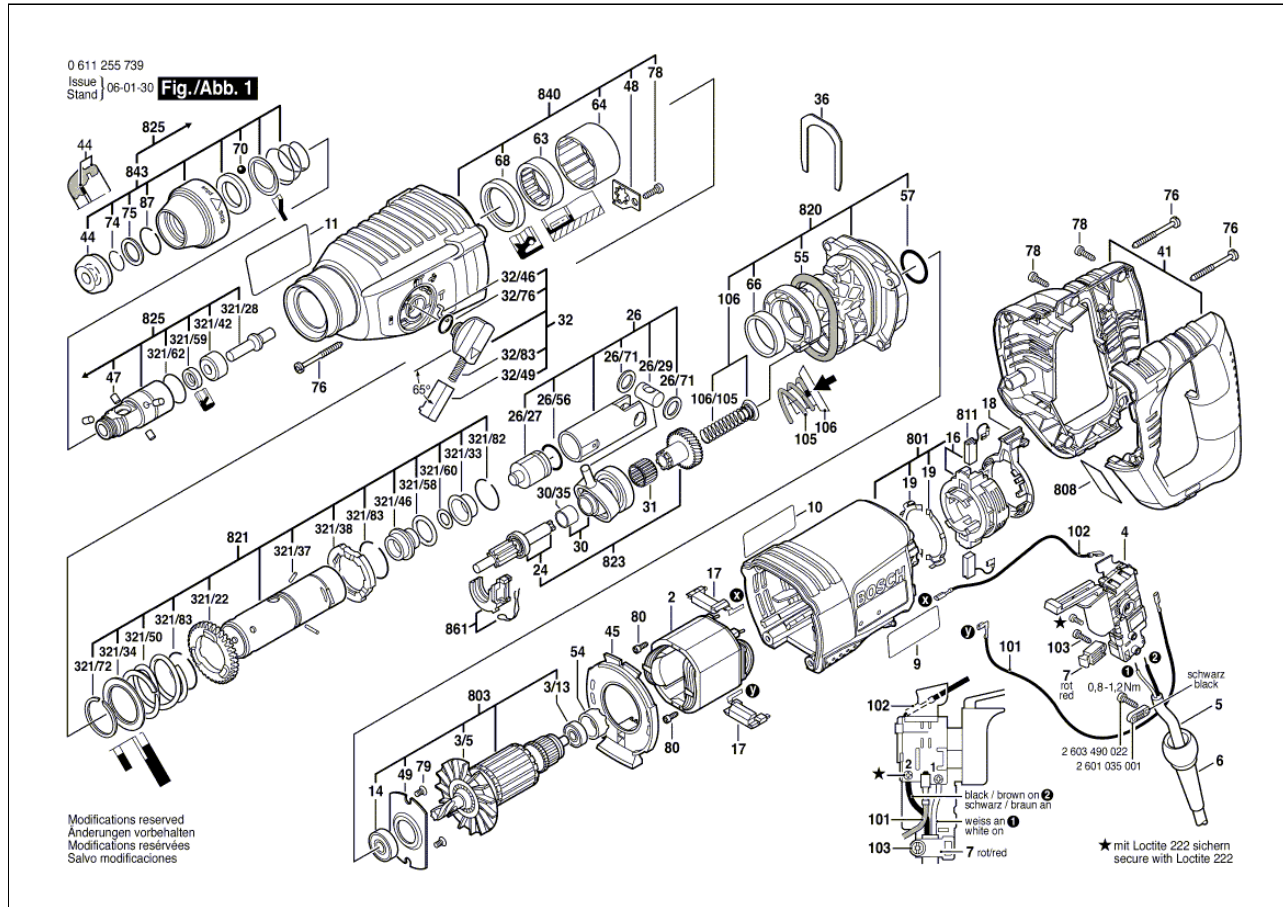


**ROTARY HAMMER**  
**0 611 255 739 11255 VSR**



16.04.2009 18:18:00



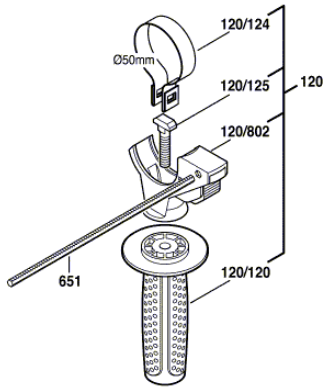
Item	Quantity	Order No.	Designation	Price group	Page
2	1	1 614 220 177	FIELD / 115-120V	0	1
3/5	1	1 616 610 094	FAN	0	1
3/13	1	1 610 905 025	DEEP-GROOVE BALL BEARING / DIN 625-607-2Z/C3	0	1
4	1	1 617 200 529	ON-OFF SWITCH	0	1
5	1	2 604 460 220	POWER SUPPLY CORD / AUS 4,15m 2 x 0,75mm PVC	0	1
6	1	1 600 703 034	GROMMET	0	1
7	1	1 601 035 008	CABLE CLIP	0	1
9	1	1 611 110 Y39	MANUFACTURER'S NAMEPLATE	0	1
10	1	1 611 110 Y40	MANUFACTURER'S NAMEPLATE	0	1
11	1	1 611 110 Y43	WARNING PLATE	0	1
14	1	1 610 905 006	DEEP-GROOVE BALL BEARING	0	1
16	1	1 614 336 064	BRUSH PLATE	0	1
17	2	1 614 465 012	ADAPTER MODULE	0	1
18	1	1 610 290 183	CLUTCH SLEEVE	0	1
19	2	1 611 329 024	SWITCH CONTACT	0	1
24	1	1 617 000 556	TOOTHED SHAFT	0	1
26	1	1 617 000 557	HAMMER PISTON	0	1
26/27	1	1 610 311 018	STRIKER	0	1
26/29	1	1 613 105 012	PISTON PIN	0	1
26/56	1	1 610 210 187	O-RING	0	1
26/71	2	1 610 101 011	SHIM RING	0	1

30	1	1 615 819 028	DRIVE END SHIELD	0	1
30/35	1	1 610 202 024	PLAIN BEARING	0	1
31	1	1 610 913 016	NEEDLE-ROLLER ASSEMBLY	0	1
32	1	1 612 026 037	CLAMP HANDLE / BLACK	0	1
32/46	1	1 614 690 002	DRIVER PIN	0	1
32/49	1	1 612 026 035	SWITCH BUTTON / RED	0	1
32/76	1	1 610 210 046	O-RING / 2,7x10,5 MM	0	1
32/83	1	1 614 611 006	COMPRESSION SPRING	0	1
36	1	1 611 016 003	HOLDING PLATE	0	1
41	1	1 615 132 110	HANDLE COVER	0	1
44	1	1 610 508 047	PROTECTIVE CAP	0	1
45	1	1 610 522 013	AIR-DEFLECTOR RING	0	1
47	4	1 613 100 030	NEEDLE ROLLER	0	1
48	1	1 611 098 008	TAB WASHER	0	1
49	1	1 615 700 044	END SHIELD	0	1
54	1	1 600 502 023	INTERMEDIATE RING	0	1
55	1	1 610 290 226	SEAL RING	0	1
57	1	1 610 210 068	O-RING	0	1
63	1	1 610 910 063	NEEDLE BUSH / Ø30xØ37x12 MM	0	1
64	1	1 610 390 053	BUSHING	0	1
66	1	1 610 202 021	PLAIN BEARING	0	1
68	1	1 610 283 036	ROTARY SHAFT LIP SEAL	0	1
70	1	1 903 230 013	BALL / DIN 5401-Ø7MM-III-ST	0	1
74	1	1 614 601 027	RETAINING RING	0	1
75	1	1 610 101 629	RETAINING WASHER	0	1
76	8	1 613 435 022	THREAD-FORMING TAP. SCREW	0	1
78	7	2 603 490 022	TORX OVAL-HEAD SCREW / M 4x16	0	1
79	2	1 613 435 023	THREAD-FORMING TAP. SCREW	0	1
80	2	1 613 435 007	RECESSED-HEAD SCREW / DIN 7981-ST3,5x9,5-F	0	1
87	1	2 916 540 012	RETAINING RING / DIN 7993-A22	0	1
101	1	1 614 449 018	CONNECTING CABLE	0	1
102	1	1 614 449 019	CONNECTING CABLE	0	1
103	1	2 603 490 017	TORX OVAL-HEAD SCREW / 3x10	0	1
106	1	1 614 611 022	PLAIN BEARING	0	1
106/105	1	1 614 611 021	COMPRESSION SPRING	0	1
120	1	1 612 025 057	AUXILIARY HANDLE / BLACK	0	2
120/120	1	1 612 025 058	AUXILIARY HANDLE / M8 / BLACK	0	2
120/124	1	1 611 316 021	CLAMPING BAND / Ø 50 MM	0	2
120/125	1	1 613 490 002	T-HEAD BOLT / M 8x40 MM	0	2
120/802	1	1 617 000 475	SUPPORT CLAMP	0	2
321/22	1	1 616 312 004	CYLINDRICAL GEAR	0	1
321/28	1	1 613 124 081	STRIKER PIN	0	1
321/33	1	1 610 590 014	HOLDING JACKET	0	1
321/34	1	1 610 190 049	SUPPORTING DISC	0	1
321/37	3	1 613 100 019	STRAIGHT PIN / DIN6325-2,5x12-RIKO	0	1
321/38	1	1 610 190 048	CATCH DISK	0	1
321/42	1	1 610 102 073	THRUST RING	0	1
321/46	1	1 610 390 051	GUIDE BUSHING	0	1
321/50	1	1 614 611 020	COMPRESSION SPRING	0	1
321/58	1	1 610 210 178	O-RING	0	1
321/59	1	1 610 283 035	ROTARY SHAFT LIP SEAL	0	1
321/60	1	1 610 210 176	O-RING	0	1
321/62	1	1 610 210 179	O-RING	0	1
321/72	1	1 604 601 027	RETAINING RING	0	1
321/82	1	1 614 601 034	RETAINING RING	0	1
321/83	2	1 604 601 028	RETAINING RING / A22 DIN 7993	0	1
651	1	1 613 001 009	DEPTH-GAUGE / SW 6x210 MM	0	2

801	1	1 617 000 470	MOTOR HOUSING	0	1
803	1	1 617 000 V31	ARMATURE WITH FAN	0	1
808	1	1 601 106 035	NAMEPLATE	0	1
811	1	1 617 000 525	CARBON-BRUSH SET	0	1
820	1	1 617 000 562	INTERMEDIATE FLANGE	0	1
821	1	1 617 000 564	PIPE	0	1
823	1	1 617 000 579	TOOTHED SHAFT	0	1
825	1	1 617 000 598	TOOL HOLDING FIXTURE	0	1
840	1	1 617 000 581	GEAR HOUSING	0	1
843	1	1 617 000 582	PROTECTION SLEEVE	0	1
861	1	1 615 820 097	SWITCHING ELEMENT	0	1

0 611 255 739  
 Issue | 06-01-30  
 Stand |

**Fig./Abb. 2**



Modifications reserved  
 Änderungen vorbehalten  
 Modifications réservées  
 Salvo modificaciones

0 611 255 739  
Issue  
Stand | 06-01-30

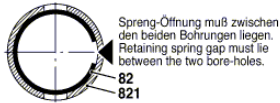
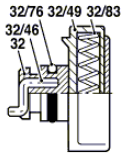
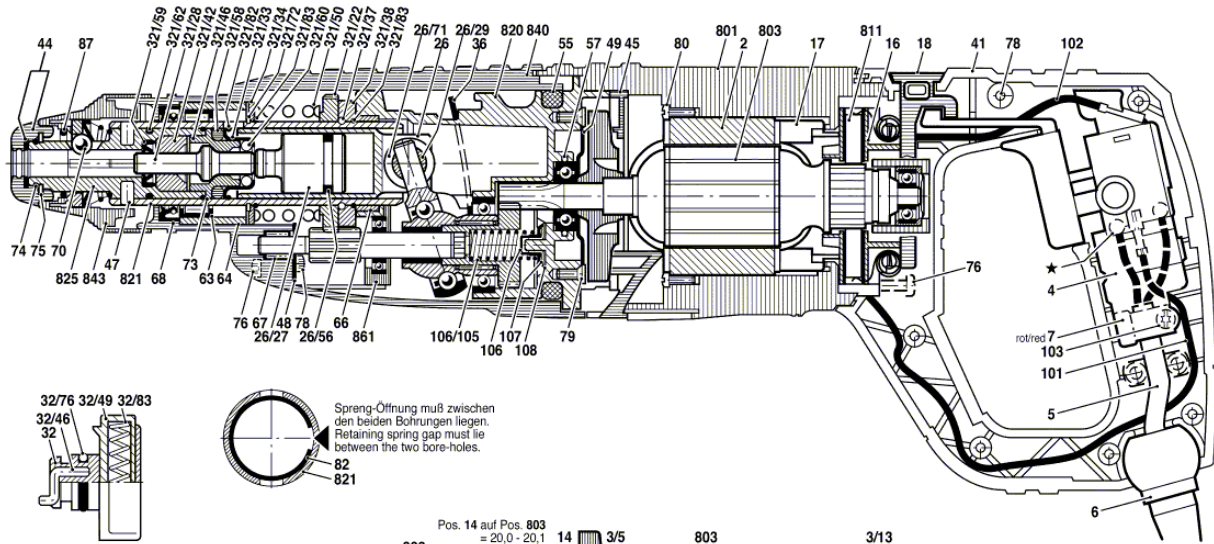
**Fig./Abb. S**

Austrastmoment min. 20 Nm - 28 Nm  
SlippiSg point of clutch min. 20 Nm - 28 Nm

Bei 18 Nm und weniger - Kupplung ersetzen!  
By 18 Nm and less - replace slipping clutch!

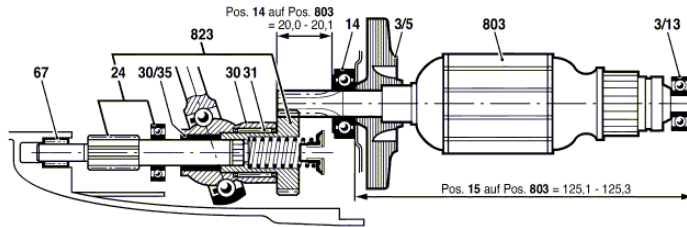
★ mit Loctite 222 sichern  
secure with Loctite 222

Maße in mm  
Dimensions in mm  
Cotes en mm  
Medidas en mm



Sprung-Öffnung muß zwischen  
den beiden Bohrungen liegen.  
Retaining spring gap must lie  
between the two bore-holes.

Anzugsmomente  
Torque values  
Couples de serrage  
Pares de apriete  
Pos. 76 = 2.8 - 3.5 Nm  
77 = 1.4 - 2.3 Nm  
78 = 2.0 - 2.5 Nm  
● 78 = 1.4 - 2.3 Nm  
79 = 1.5 - 2.0 Nm  
80 = 0.4 - 0.8 Nm  
81 = 0.3 - 0.6 Nm  
103 = 0.3 - 0.6 Nm  
★ = 0.3 - 0.6 Nm



Änderungen vorbehalten  
Modifications reserved  
Modifications réservées  
Salvo modificaciones