

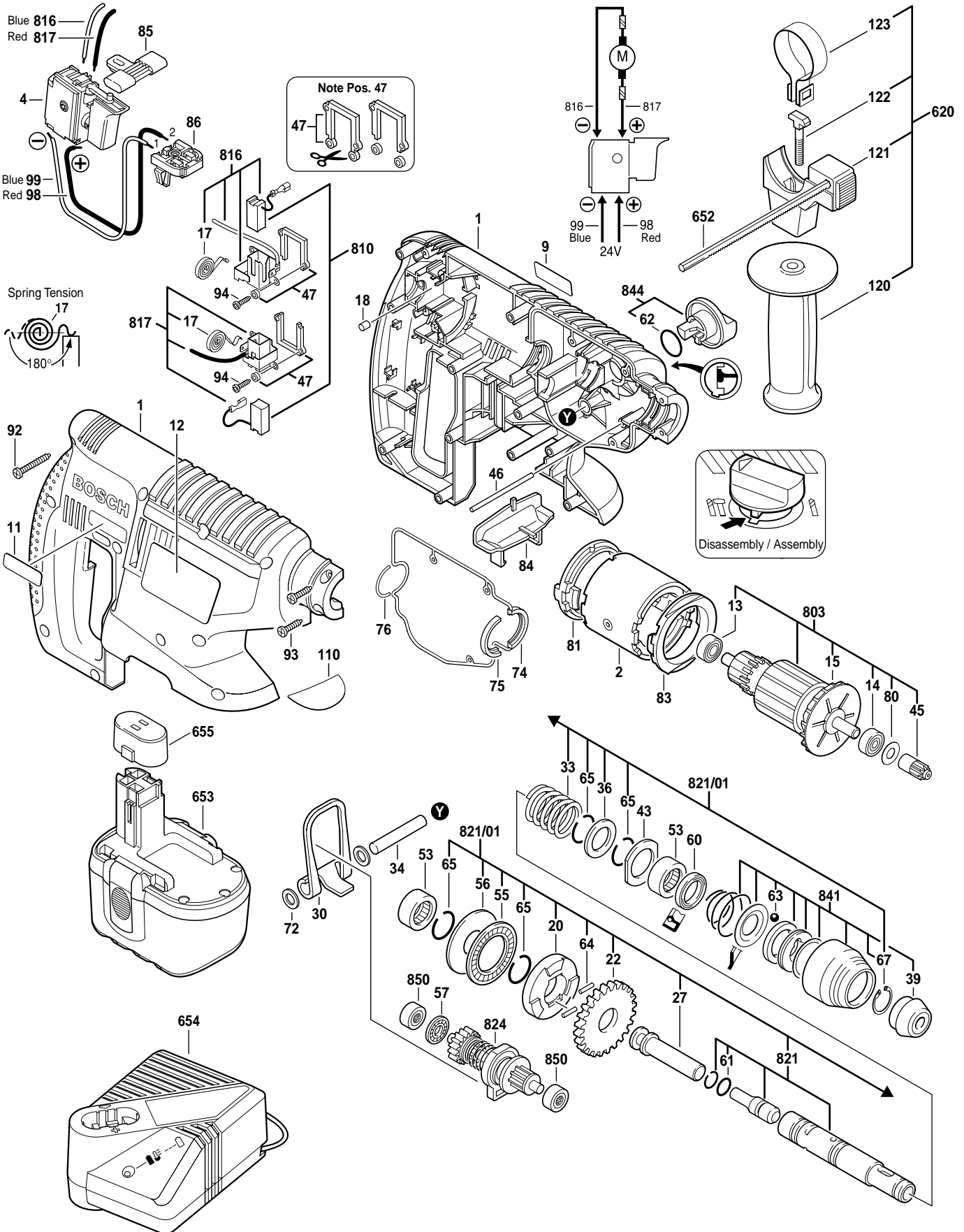
BOSCH

September 2002
INDUSTRIAL

24V ROTARY HAMMER

Model 0611256259

11524



11524 24V ROTARY HAMMER

Pos.	Part Number	Description {Qty.}	F/C	Pos.	Part Number	Description {Qty.}	F/C
1	1 615 104 030	Housing Assembly	71	80	1 610 100 008	Gasket	79
2	1 615 100 008	Field	22	81	1 610 290 043	Locating Ring	80
4	1 617 200 067	Switch	17	83	1 610 290 078	Locating Ring	80
9	1 611 110 A85	Label	9	84	1 601 016 013	Insert	9
11	1 611 110 A86	Label	9	85	1 613 231 006	Switch Select Lever	64
12	1 611 110 A87	Label	9	86	1 609 280 157	Switch Mount Plate	9
13	2 600 905 052	Ball Bearing	60	92	2 912 401 021	Screw {14}	89
14	2 600 905 052	Ball Bearing	61	93	2 912 401 019	Screw {2}	89
15	1 616 610 092	Fan	23	94	2 912 401 007	Screw {4}	89
17	2 610 907 388	Brush Spring {2}	27	98	1 614 416 012	Cable	10
18	2 603 100 056	Rubber Buffer	9	99	1 614 416 011	Cable	10
20	1 616 409 012	Clutch Disk	67	110	1 611 110 A88	Nameplate	9
22	1 616 317 613	Clutch Gear	32	120	1 612 025 019	Auxiliary Handle	9
27	1 618 710 068	Striker	44	121	2 608 040 176	Clamp Holder Assembly	80
30	1 611 911 000	Lever	64	122	1 613 490 002	T-Bolt	80
33	1 614 634 008	Clutch Spring	67	123	1 611 316 006	Clamping Band 43mm	80
34	1 613 100 021	Shaft	54	620	2 602 025 118	Auxiliary Handle Assy. w/pos. 120-123	9
36	1 610 190 021	Washer	86	652	1 613 001 010	Depth Gauge	87
39	1 610 508 021	Dust Shield	92	653	2 607 335 451	Battery 24V	18
43	1 610 190 020	Plate	65	654	2 607 224 490	Multi-Volt Charger (BC016)	18
45	1 616 316 602	Pinion Gear	33	655	2 609 100 101	Battery Cap	9
46	1 613 160 022	Pin	66	803	1 617 000 511	Armature w/Fan w/pos. 13, 14, 15, 45, 80	AW
47	1 601 010 010	Plate {2}	9				
53	1 610 910 077	Needle Bearing {2}	51	810	1 617 014 131	Brush Set	26
55	1 610 920 008	Thrust Bearing	56	816	1 617 000 379	Brush Holder Assembly w/pos. 17	25
56	1 610 102 030	Washer	65	817	1 617 000 380	Brush Holder Assembly w/pos. 17	25
57	1 610 920 009	Thrust Bearing	56	821	1 617 000 320	Guide Tube Assembly w/pos. 61	43
60	1 610 280 006	Grease Seal	77	821/01	1 617 000 375	Guide Tube Assembly	43
61	1 610 210 124	O-Ring	42	824	1 617 000 314	Eccentric Assembly	53
62	1 610 210 125	O-Ring	78	841	1 617 000 303	Bit Retaining Assembly w/pos. 39, 63, 67	86
63	1 903 230 013	Ball 7mm	86	844	1 617 000 322	Handle Assy. w/pos. 62	74
64	1 613 100 019	Pin {2}	66	850	1 617 000 975	Needle Bearing Assy. {2}	56
65	1 614 601 018	Spring Ring {4}	89				
67	3 600 224 038	Spring Ring	86				
72	1 610 100 007	Washer {2}	65				
74	1 611 015 045	Gasket	79				
75	1 611 015 041	Gasket	79				
76	1 610 210 138	Gasket	79				

Service Notes: