

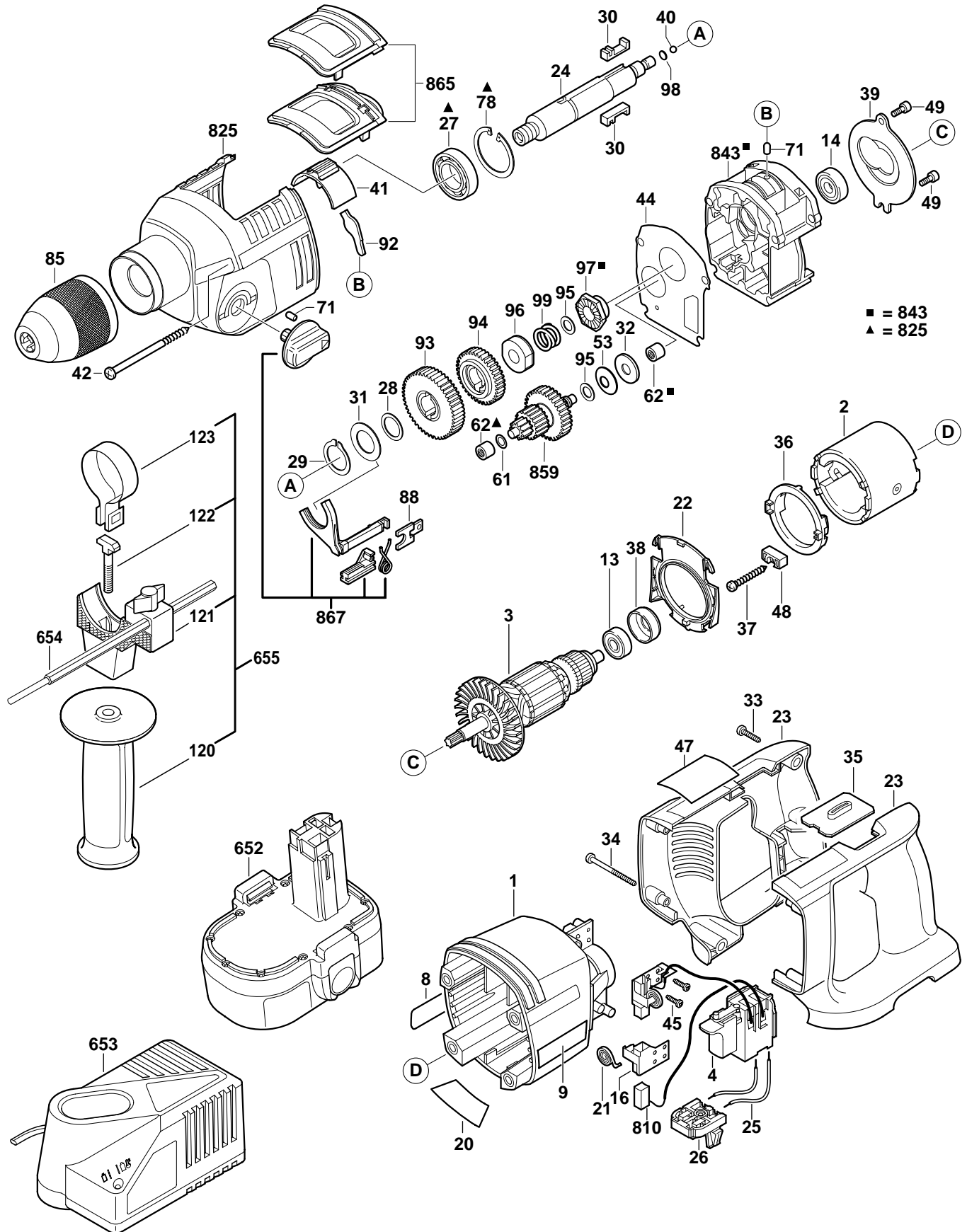
# BOSCH

June 2002  
INDUSTRIAL

## 24V HAMMER DRILL

### Model 0601917261

# 12524



# 12524 24V HAMMER DRILL

Pos.	Part Number	Description {Qty.}	F/C	Pos.	Part Number	Description {Qty.}	F/C
1	2 610 912 789	Motor Housing	71	48	2 601 328 068	Retainer {2}	65
2	1 615 100 008	Field	22	49	2 603 410 048	Screw {2}	89
3	2 610 912 790	Armature w/Fan	AW	53	2 600 550 008	Spring Washer	65
4	2 610 995 801	Switch VS	17	61	2 600 100 607	Shim 0.3mm	65
8	2 610 914 655	Nameplate	9	62	2 600 914 010	Needle Bearing {2}	56
9	2 610 914 656	Label	9	71	2 600 590 006	Cap/Spring {2}	80
13	2 610 010 409	Ball Bearing	56	78	2 916 660 014	Retaining Ring	89
14	2 610 915 659	Ball Bearing	61	85	2 608 572 143	Keyless Chuck	91
16	2 610 995 803	Brush Holder {2}	25	88	2 601 328 070	Plate	65
20	2 610 912 791	Label	9	92	2 600 114 016	Plate	65
21	2 610 907 388	Spring {2}	27	93	2 606 317 076	Gear	32
22	2 610 914 394	Baffle	24	94	2 606 317 077	Gear	33
23	2 610 995 804	Handle Assembly	74	95	2 600 101 047	Shim 0.3mm {2}	65
24	2 606 135 099	Spindle	52	96	2 600 190 090	Ratchet	41
25	2 610 907 407	Cable	10	97	2 600 190 078	Ratchet	41
26	1 609 280 362	Contact Assembly	9	* 98	2 600 000 021	Shim 1.0mm	65
27	1 900 905 163	Ball Bearing	51	* 98.1	2 600 000 030	Shim 1.35mm	65
28	2 600 100 695	Washer	65	* 98.2	2 600 000 031	Shim 1.7mm	65
29	2 916 650 008	Retaining Ring	89	99	2 604 616 013	Spring	27
30	2 602 300 008	Key {2}	66	120	1 612 025 019	Handle	74
31	2 600 101 671	Washer	65	121	1 618 040 048	Clamp Holder Assembly	80
32	2 600 101 056	Washer	65	122	1 613 490 002	T-Bolt	80
33	2 610 315 386	Screw {4}	89	123	1 611 316 006	Clamping Band	80
34	2 610 348 550	Screw {2}	89	652	2 607 335 451	Battery 24V	18
35	2 610 995 835	Lever	64	653	2 607 224 431	Multi-Volt Charger	18
36	1 610 290 043	Locating Ring	80	654	1 613 001 009	Depth Rod	9
37	2 914 201 709	Screw {2}	89	655	1 612 025 032	Auxiliary Handle	9
38	2 610 990 845	Bearing Sleeve	82			w/pos. 120 - 123	
39	2 601 098 067	Retainer	65	810	2 610 995 834	Brush Set	26
* 40	1 903 230 009	Ball 5mm	66	825	2 605 806 894	Gear Housing Assembly	72
* 40.1	2 603 230 007	Ball 5.25mm	66			w/pos. 27, 78, 62	
* 40.2	1 903 230 010	Ball 5.5mm	66	843	2 605 700 942	Flange	38
41	2 602 098 014	Lever	64			w/pos. 62, 97	
42	2 603 435 076	Screw {4}	89	859	2 606 309 934	Clutch Assembly	46
44	2 601 073 014	Gasket	79	865	2 605 510 901	Cover	70
45	2 610 914 920	Screw {4}	89	867	2 606 308 923	Shifter Assembly	62
47	2 610 914 657	Label	9				

## Service Notes: