

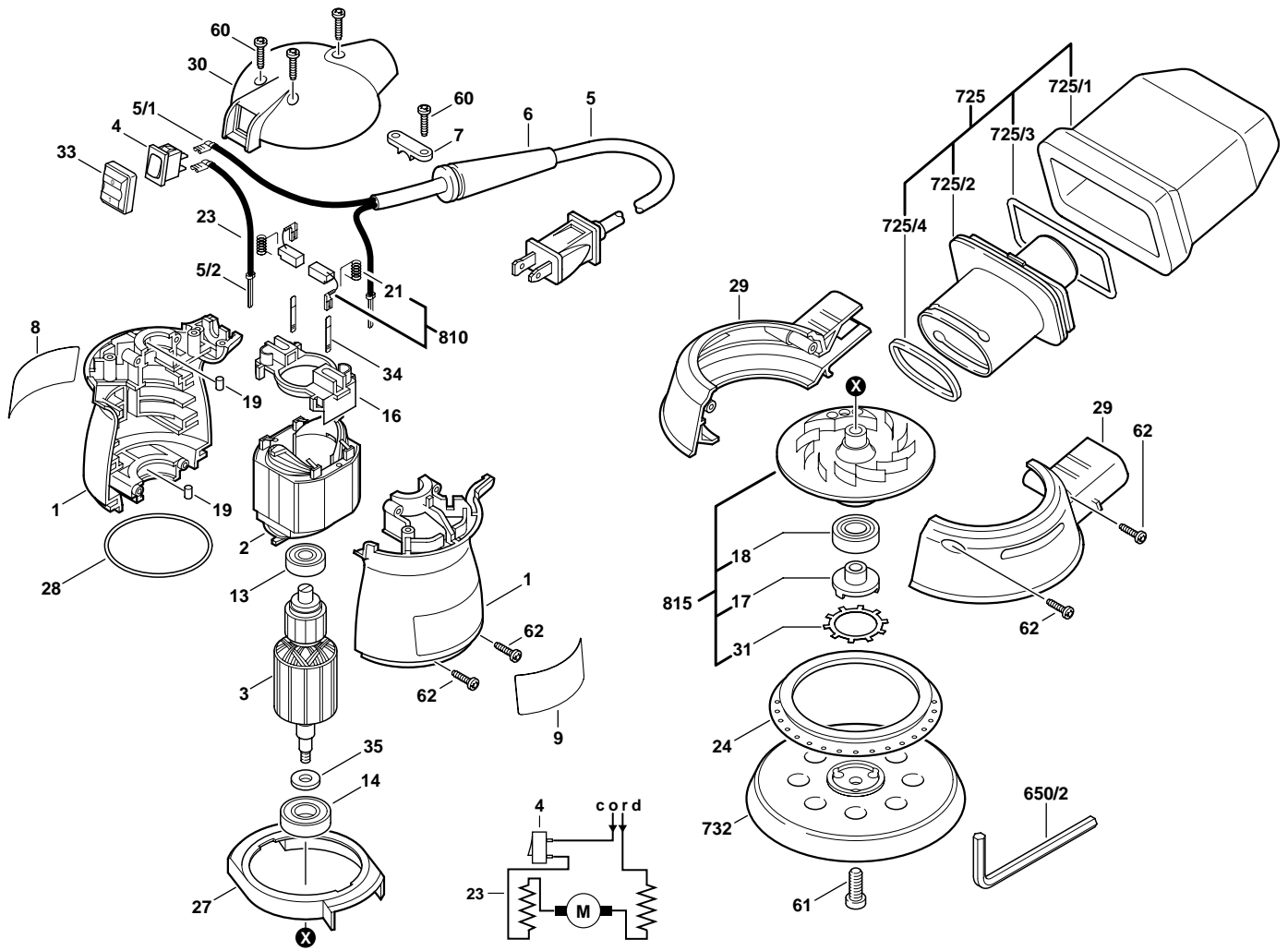
BOSCH

August 1997
INDUSTRIAL

RANDOM ORBIT SANDER

Model 0601295039

1295D



Pos.	Part Number	Description {Qty}	F/C	Pos.	Part Number	Description {Qty}	F/C
1	2 610 911 960	Housing Assembly	71	29	2 610 911 962	Skirt Assembly	73
2	2 610 911 964	Field 120V	22	30	2 610 911 959	Cover	70
3	2 610 911 952	Armature 120V	AW	31	2 600 190 059	Star Washer	65
4	2 610 910 115	Switch On/Off 120V	15	33	2 610 911 974	Switch Cover	9
5	3 604 460 555	Cord 120V 18/2	11	34	2 610 911 982	Terminal {2}	10
5/1	2 610 352 788	Terminal {2}	10	35	2 610 991 485	Washer	65
5/2	2 601 355 008	Terminal {2}	10	60	2 610 323 769	Screw {5}	89
6	2 600 703 018	Strain Relief	11	61	2 603 414 050	Screw	85
7	2 610 064 973	Cord Clamp	89	62	2 610 350 996	Screw {6}	89
8	2 610 967 471	Nameplate	9	650/2	1 907 950 006	Allen Wrench 5mm	9
9	2 610 967 472	Label "1295D"	9	725	2 610 911 993	Dust Cannister Assembly w/pos. 725/1 - 725/4	9
13	2 610 010 409	Ball Bearing	60	725/1	2 610 911 971	Dust Cannister	9
14	2 610 911 985	Ball Bearing	61	725/2	2 610 911 958	Adapter	9
16	2 610 911 975	Brush Holder	25	725/3	2 610 911 977	O-Ring	78
17	2 600 328 027	Drive Coupling	40	725/4	2 610 911 965	Gasket	79
18	2 610 911 986	Ball Bearing	51	732	RS019	Backing Pad - Medium	88
19	2 610 350 103	Rubber Pin {2}	66	732.1	RS018	Backing Pad - Soft	88
21	2 610 353 928	Brush Spring {2}	27	732.2	RS020	Backing Pad - Hard	88
23	2 610 911 967	Cable 60mm	10	810	2 610 353 931	Brush & Spring Set (2ea.)	26
24	2 610 911 970	Dampening Ring	79	815	2 610 911 980	Dust Fan/Coupling Assy. w/pos. 17, 18, 31	40
27	2 610 911 973	Baffle	24				
28	2 610 911 976	O-Ring	78				

+ = Not Illustrated * = As Required F/C = Failure Code AW = Refer to AW Labor Time Chart