

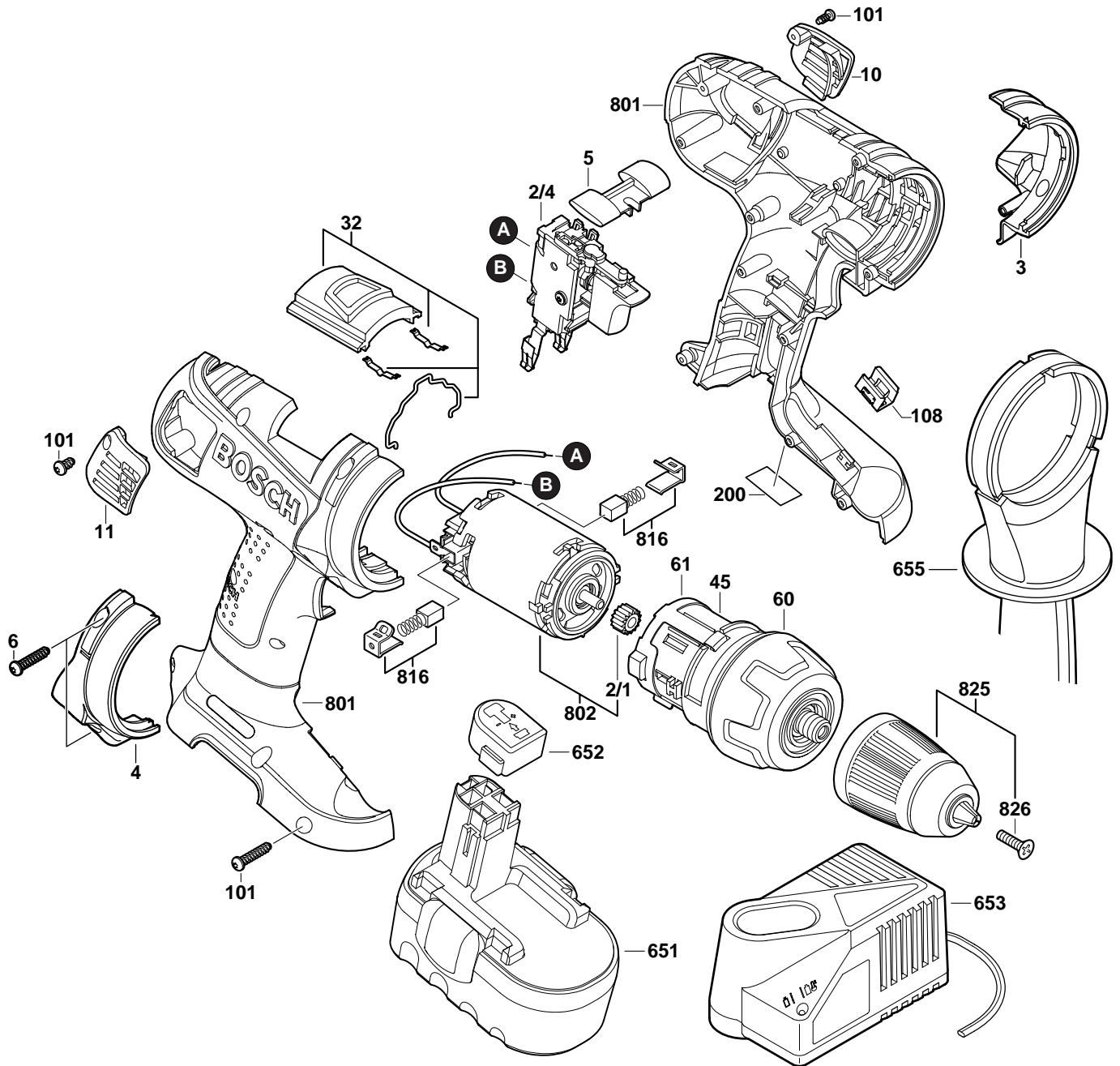
BOSCH

January 2003
INDUSTRIAL

14.4V DRILL / DRIVER

Model 0601913460

13614



Pos.	Part Number	Description {Qty.}	F/C	Pos.	Part Number	Description {Qty.}	F/C
2/1	2 606 316 222	Pinion Gear	33	108	2 604 690 026	Spring	9
2/4	2 607 200 456	Switch	15	200	2 601 116 215	Nameplate	9
3	2 605 500 168	Cover	70	651	2 610 908 568	Battery 14.4V	18
4	2 605 500 169	Cover	70	652	2 609 100 101	Battery Cap	9
5	2 601 099 112	Lever	9	653	2 607 224 445	Multi-Volt Charger	18
6	2 603 410 052	Screw {2}	89	655	2 602 025 126	Auxiliary Handle	9
10	2 600 508 051	Brush Cover	9	801	2 605 105 916	Housing	71
11	2 600 508 052	Brush Cover	9	802	2 607 022 857	Motor Assembly w/pos. 2/1, 816	19
32	2 601 099 127	Lever	64	816	2 607 034 900	Brush Set	26
45	2 606 200 137	Drive Assembly	40	825	2 608 572 900	1/2" Keyless Chuck	91
60	2 605 190 380	Setting Ring	82	826	2 603 421 900	Reverse Screw	85
61	2 608 040 190	Support	38				
101	2 914 201 668	Screw {9}	89				

+ = Not Illustrated * = As Required F/C = Failure Code AW = Refer to AW Labor Time Chart