

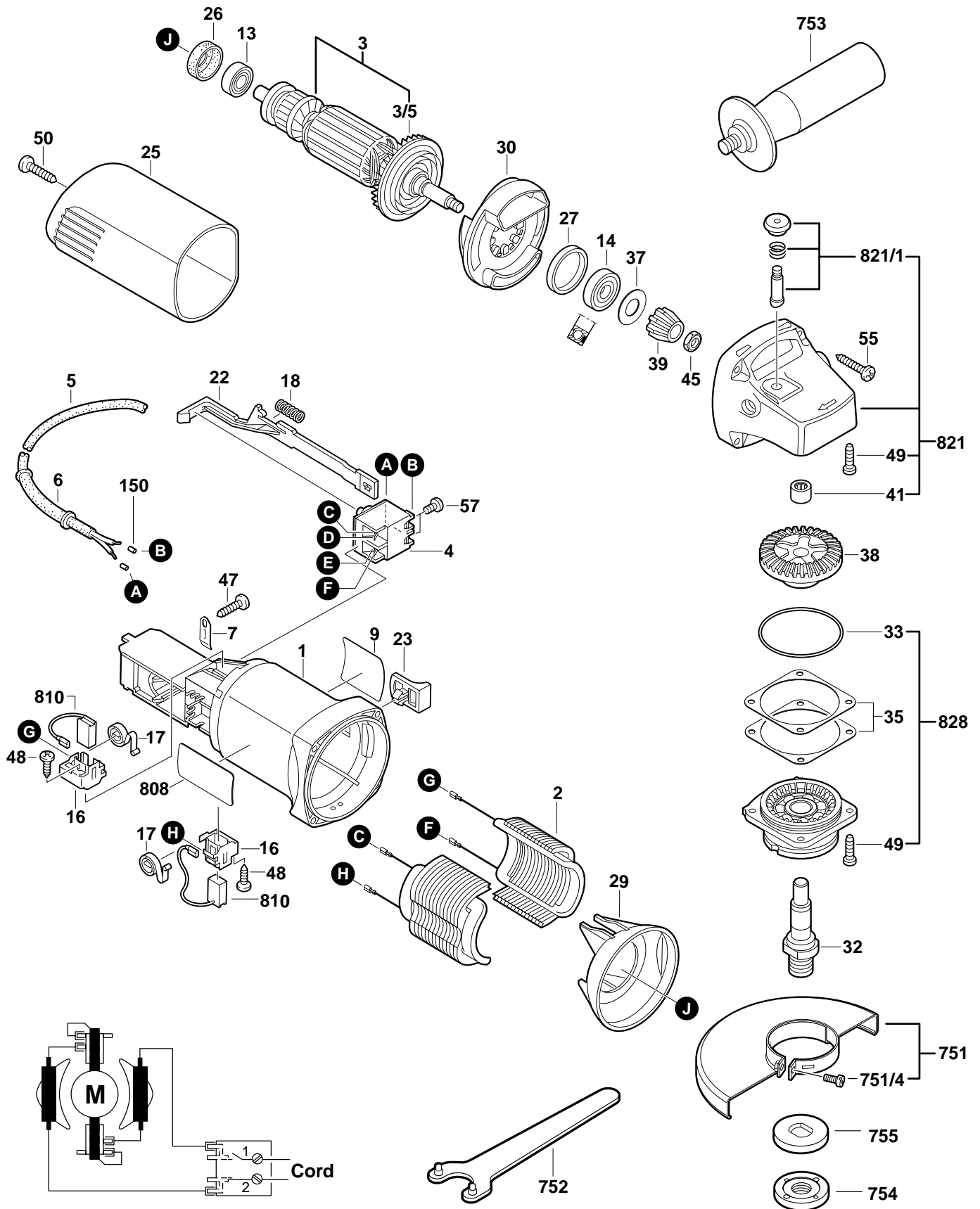
# BOSCH

July 1998  
INDUSTRIAL

## 4-1/2" MINI GRINDER

### Model 0601375039

# 1375A



# 1375A 4-1/2" MINI GRINDER

Pos.	Part Number	Description {Qty}	F/C	Pos.	Part Number	Description {Qty}	F/C
1	1 605 108 174	Motor Housing	71	38	1 606 333 615	Crown Gear	32
2	1 604 220 330	Field 120V	22	39	1 606 333 614	Bevel Gear	33
3	1 604 010 628	Armaturew/Fan 120V	AW	41	1 600 910 018	Needle Bearing	56
3/5	1 606 610 141	Fan	23	45	2 915 011 007	Nut	89
4	1 607 200 146	Switch On/Off 120V	15	47	2 603 435 039	Screw	89
5	3 604 460 555	Cord 120V 18/2	11	48	2 910 611 405	Screw {2}	89
6	2 600 703 013	Strain Relief	11	49	3 603 429 515	Screw {4}	89
7	1 601 302 017	Cord Clamp	89	50	2 910 611 020	Screw	89
9	2 910 994 197	Label "1375A"	9	55	2 910 611 022	Screw {4}	89
13	2 610 994 435	Ball Bearing	60	57	2 910 641 081	Screw {2}	89
14	3 600 900 514	Ball Bearing	60	+ 67	1 601 110 358	Label "Caution"	9
16	1 604 336 035	Brush Holder {2}	25	150	1 900 452 012	Terminal Sleeve {2}	11
17	1 604 652 014	Brush Spring {2}	27	751	2 610 906 260	Guard 4-1/2"	92
18	1 604 611 031	Spring	27			w/pos. 751/4	
22	1 602 319 009	Switch Slide	64	751/4	2 910 022 197	Screw	89
23	1 602 026 068	Switch Button	9	752	1 607 950 043	Spanner Wrench	9
25	1 605 500 194	Housing Cover	70	753	1 602 025 027	Auxiliary Handle	9
26	1 600 502 024	Rubber Bearing Sleeve	82	754	2 610 992 248	Inner Flange 5/8"-11	91
27	1 600 206 025	Rubber Bearing Sleeve	82	755	2 610 910 341	Outer Flange 5/8"-11	91
29	1 600 591 023	Air Deflector	24	808	1 601 106 999	Nameplate	9
30	1 600 591 024	Baffle	24	810	1 607 014 144	Brush Set	26
32	3 603 523 503	Spindle 5/8"-11	52	821	1 605 806 466	Gear Housing Assembly	72
33	1 600 210 041	O-Ring	78			w/pos. 41, 49, 821/1	
35	1 600 136 016	Shim	65	821/1	1 607 000 298	Spindle Lock Assembly	81
35.1	1 600 136 017	Shim	65	828	1 605 805 090	Gear Coverw/Bearing	70
37	1 600 100 033	Washer	65			w/pos. 33, 49	

**Service Notes:**