

# BOSCH

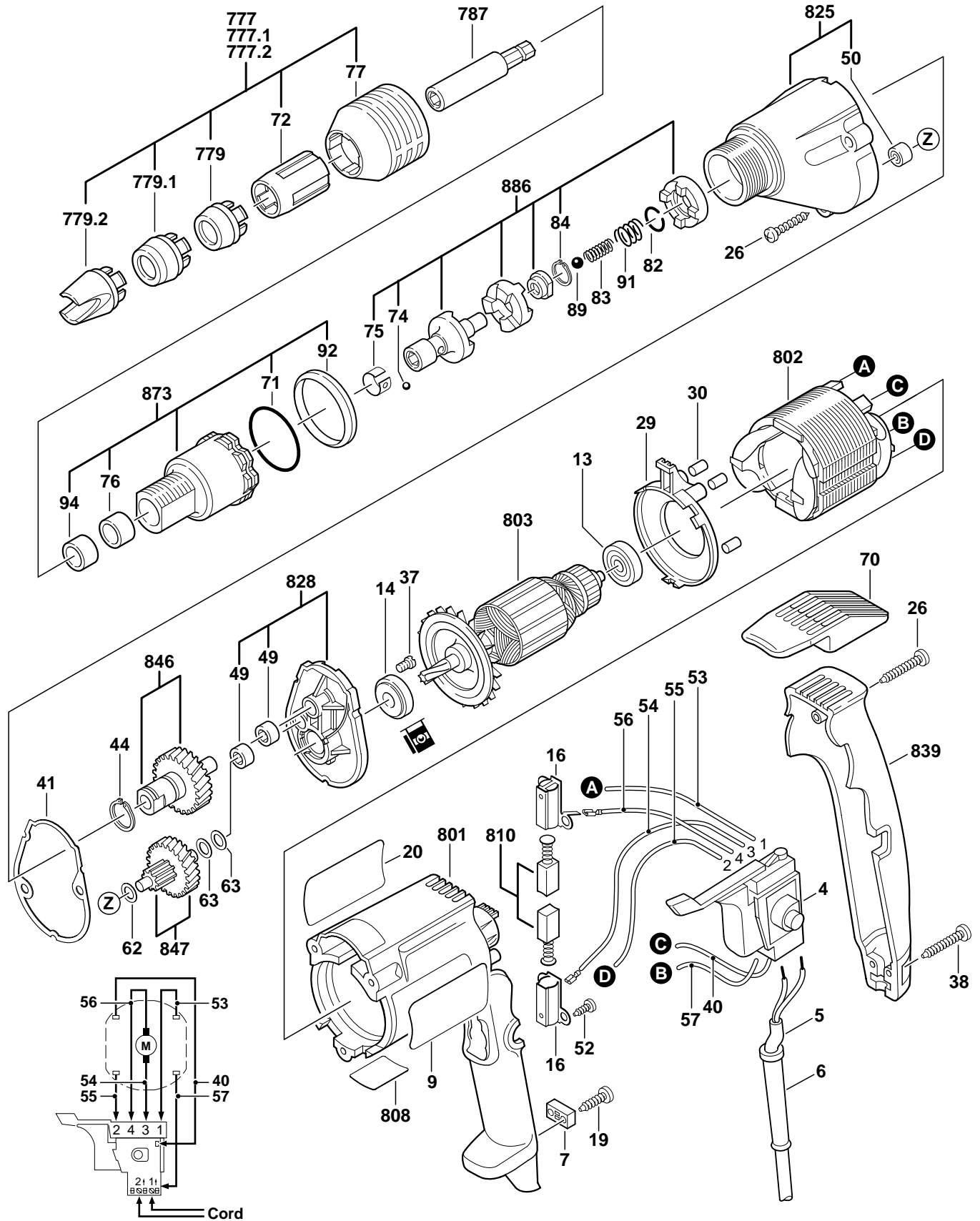
October 1997  
INDUSTRIAL

## FASTENER DRIVER

Model 0601422739

## 1422VSRQ

(.739)



# 1422VSRQ (.739) FASTENER DRIVER

Pos.	Part Number	Description {Qty}	F/C	Pos.	Part Number	Description {Qty}	F/C
4	3 607 200 523	Switch VSR	17	77	3 600 390 502	Locking Ring	91
5	3 604 460 555	Cord 120V 18/2	11	82	3 600 200 516	Spring Retainer	89
6	2 600 703 013	Strain Relief	11	83	3 604 613 507	Spring	27
7	2 601 035 001	Cord Clamp	89	84	3 600 118 502	Retaining Ring	89
9	2 610 906 831	Label "1422VSRQ"	9	89	1 903 230 011	Ball 6mm	66
13	1 900 905 018	Ball Bearing	60	91	3 604 613 506	Spring	27
14	2 600 905 021	Ball Bearing	61	92	3 600 113 506	Insulating Sleeve	9
16	2 604 337 003	Brush Holder {2}	25	94	3 600 900 529	Bushing	82
19	2 910 611 019	Screw {2}	89	777	3 600 552 510	Depth Guage Assembly w/pos. 72, 77, 779	91
20	2 610 906 850	Label "Caution"	9	777.1	3 600 552 512	Depth Guage Assembly w/pos. 72, 77, 779.1	91
26	2 910 615 082	Screw {4}	89	777.2	3 600 552 513	Depth Guage Assembly w/pos. 72, 77, 779.2	91
29	3 600 590 505	Baffle	24	779	3 600 552 507	Depth Guage - Plastic	91
30	3 602 391 503	Rubber Buffer {3}	24	779.1	3 600 552 506	Depth Guage - Metal	91
37	2 914 411 045	Screw {2}	89	779.2	3 600 552 511	Depth Guage - Corrugated	91
38	2 910 615 022	Screw {2}	89	787	3 608 550 504	Nut Setter 5/16"	9
40	3 604 448 500	Cable 162mm	10	801	3 605 108 557	Motor Housing	71
41	3 601 016 502	Gasket	79	802	2 610 910 309	Field 120V	22
44	2 916 650 003	Retaining Ring	89	803	2 610 910 307	Armature w/Fan 120V	AW
49	3 600 910 505	Needle Bearing {2}	56	808	3 601 119 718	Nameplate	9
50	3 600 910 506	Needle Bearing	56	810	2 604 321 914	Brush Set	26
52	2 910 611 405	Screw {4}	89	825	3 605 190 518	Gear Housing Assembly w/pos. 50	72
53	3 604 448 501	Cable 117mm	10	828	3 605 806 537	Intermediate Plate Assy. w/pos. 49	38
54	3 604 448 502	Cable 48mm	10	839	3 605 133 521	Handle Cover	74
55	3 604 448 503	Cable 78mm	10	846	3 606 120 566	Drive Shaft w/Gear	32
56	3 604 448 504	Cable 88mm	10	847	3 606 319 522	Gear w/Pinion	31
57	3 604 448 505	Cable 122mm	10	873	3 605 190 522	Clutch Housing Assembly w/pos. 71, 76, 92, 94	82
62	2 600 101 654	Washer	65	886	3 606 441 503	Clutch Kit w/pos. 74, 75, 84	46
63	2 600 100 628	Shim 0.5mm {2}	65				
70	3 600 690 505	Belt Clip	9				
71	3 600 210 506	O-Ring	78				
72	3 600 360 505	Adjusting Sleeve	91				
74	1 903 230 006	Ball 3.5mm	66				
75	3 600 034 504	Spring Clip	9				
76	3 600 900 527	Bushing	82				

## Service Notes:

To: All Authorized and Factory Service Centers,  
Field Sales and Internal Support Personnel

Re: Switch Change for models

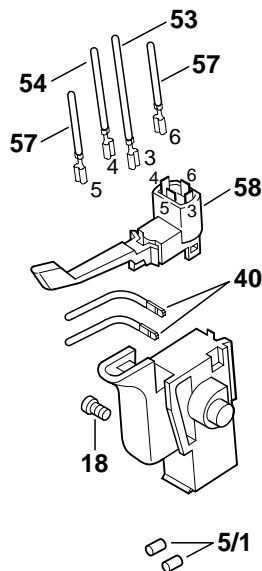
1000VSR	1021VSR	1028VSR	1420VSR	B6100
1001VSR	1022VSR	1029VSR	1420VSRSL	B6270
1002VSR	1023VSR	1404VSR	1421VSR	B6280
1003VSR	1026VSR	1404VSRSL	1422VSR	B6950
1020VSR	1027VSR	1405VSR	1422VSRQ	B6980

Please insert this bulletin into the "Technical Bulletins" section of your Bosch Parts Manual, only after making any additions or notes to your Illustrated Parts List(s).

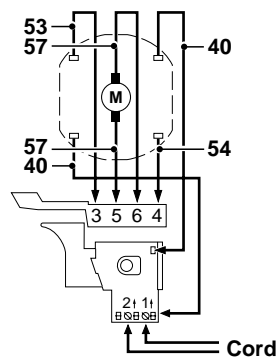
Please be advised that a new switch configuration has been introduced for the above listed models. This change will take place in newer produced versions and effects all service requirements.

Switch Kit 2 610 994 891 contains:	Pos.	Part Number	Description
	5/1	1 900 452 012	Terminal Sleeve {2}
	18	2 603 410 001	Screw {2}
	40	2 604 448 146	Cable 110mm {2}
	53	2 604 448 137	Cable 80mm
	54	2 604 448 100	Cable 68mm
	57	2 604 448 104	Cable 60mm {2}
	58	2 607 200 338	Reverse Switch

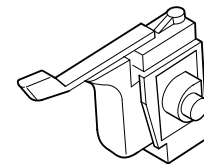
Use 2 610 994 891  
Switch Kit



New Wiring Diagram



Old 3 607 200 523  
No Longer Available



**Note:** The terminal sleeves (pos. 5/1) need to be installed on the tips of the power cord to insure a good connection with the switch. Rotation adjustments are accomplished by swapping the brush cables on the reverse switch (locations 5 & 6).

All questions should be directed to your Authorized Service Manager.

Product Service Department