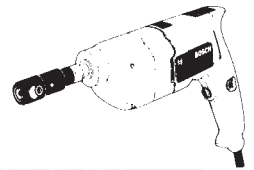




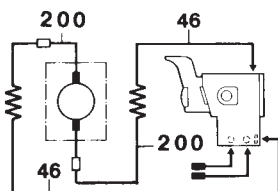
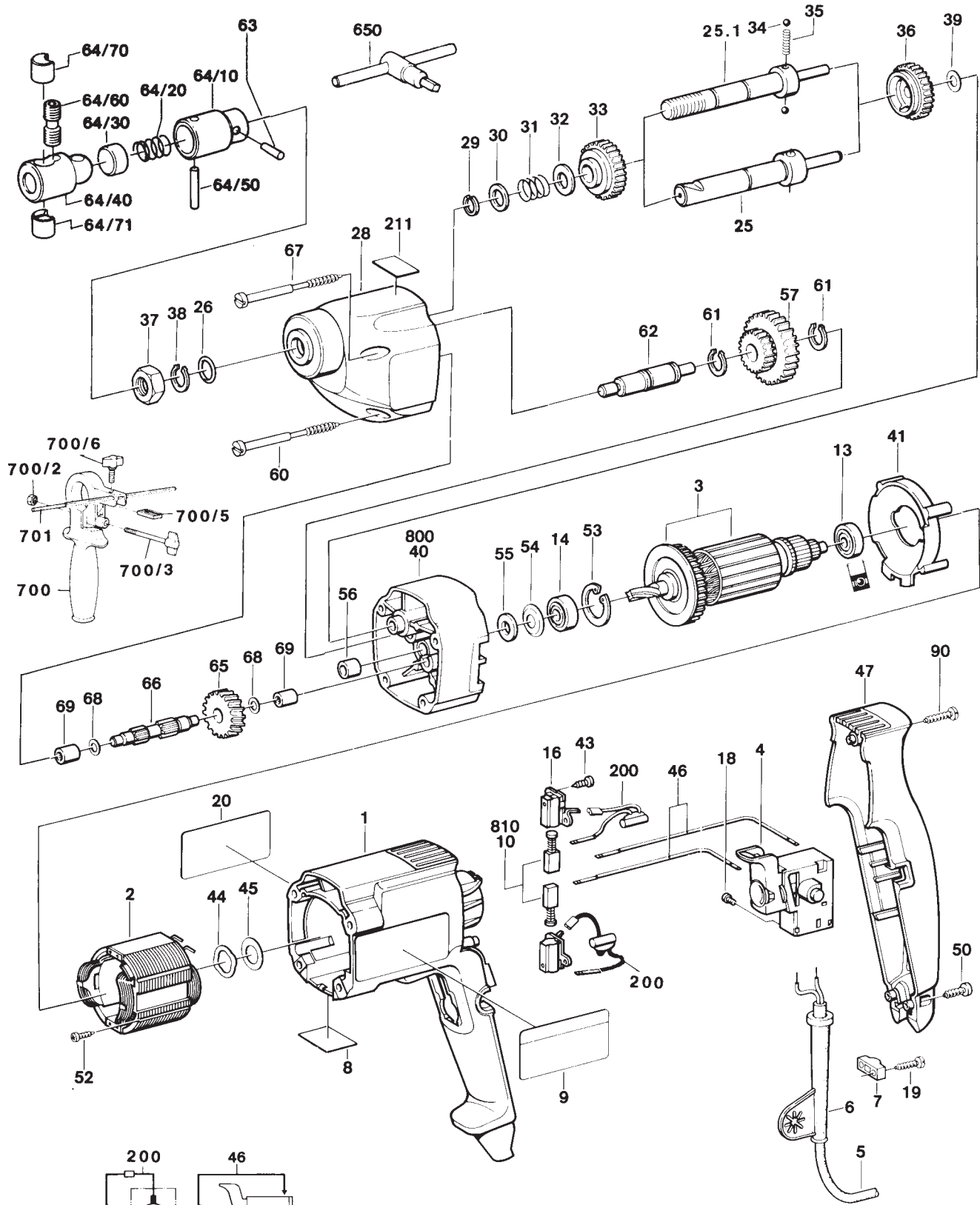
# BOSCH

## 3/8" TAPPER w/AUTO REV. 1462VS



DOUBLE INSULATED 115V

SERVICE PARTS LIST - JULY 1992



MARKETING NUMBER	MODEL NUMBER
1462VS	060 1462 734
1462VS	060 1462 839

3/8" TAPPER w/AUTO REVERSE 1462VS

Pos.	Qty	Part number	Description	F/C	Pos.	Qty	Part number	Description	F/C
1	1	2 605 104 184	Motor Housing (.734)	71	* 45	1	2 600 101 023	Shim 0.30mm	65
1.1	1	2 605 104 309	Motor Housing (.839)	71	* 45	1	2 600 101 022	Shim 0.20mm	65
2	1	2 604 220 428	Field 115V (.734)	22	* 45	1	2 600 101 020	Shim 0.50mm	65
2.1	1	2 604 220 440	Field 115V (.839)	22	46	2	2 604 448 005	Cable 130mm	10
3	1	2 604 010 611	Armature 115V (.734)	AW	47	1	2 605 132 040	Handle Cover (.734)	74
3.1	1	2 604 010 702	Armature 115V (.839)	AW	47.1	1	2 605 132 049	Handle Cover (.839)	74
4	1	2 607 200 138	Switch VS (.734)	17	50	3	2 910 611 021	Screw (.734)	89
4.1	1	2 607 200 208	Switch VS (.839)	17	50.1	2	2 910 211 219	Screw (.839)	89
5	1	3 604 460 555	Cord 18/2 115V	11	52	4	2 603 435 015	Screw	89
6	1	2 600 703 013	Strain Relief	11	53	1	2 916 669 008	Retaining Ring	89
7	1	2 601 035 001	Cord Clamp	89	54	1	2 600 500 002	Washer	9
8	1	3 601 106 000	Name Plate (.734)	9	55	1	2 600 108 077	Felt Seal	77
8.1	1	1 601 106 999	Name Plate (.839)	9	56	1	2 600 400 008	Bushing	82
9	1	3 601 110 001	Label "1462VS" (.734)	9	57	1	3 606 328 000	Gear	35
9.1	1	3 601 110 240	Label "1462VS" (.839)	9	60	2	1 603 435 019	Screw	89
10	2	See pos. 810	Carbon Brush	-	61	2	2 916 650 003	Retainer Ring	89
13	1	1 900 905 011	Ball Bearing (.734)	60	62	1	3 603 124 000	Pinion	54
13.1	1	1 900 905 018	Ball Bearing (.839)	60	63	1	1 603 110 000	Taper Pin (.734)	66
14	1	2 600 905 021	Ball Bearing	61	+ 63.1	1	3 603 400 002	Set Screw (.839)	89
16	2	2 604 337 003	Brush Holder	25	A 64	1	1 608 573 002	Chuck Assembly (.734)	91
18	2	2 603 410 001	Screw	89			w/pos. 64/10-64/71		
19	2	2 910 611 019	Screw	89	A 64.1	1	2 608 573 004	Chuck Assembly (.839)	91
20	1	2 601 110 203	Label "Caution" (.734)	9			w/pos. 64/10-64/71		
20.1	1	3 601 110 144	Label "Caution" (.839)	9	64/10	1	See pos. 64	Drive Coupling	-
25	1	3 606 135 000	Spindle (.734)	52	64/20	1	1 604 617 002	Spring	27
25.1	1	3 606 135 003	Spindle (.839)	52	64/30	1	1 600 506 000	Spring Retainer	9
26	1	1 900 210 009	O-Ring (.734)	78	64/40	1	1 603 219 006	Tap Holder	83
26.1	1	3 600 210 065	O-Ring (.839)	78	64/50	1	2 917 500 124	Straight Pin	66
+ 27	1	See pos. 800	Bushing	-	64/60	1	1 603 502 000	Threaded Stud	89
28	1	3 605 190 091	Gear Housing (.734)	72	64/70	1	1 600 390 002	Clamping Jaw - Right	94
28.1	1	3 605 190 131	Gear Housing (.839)	72	64/71	1	1 600 390 003	Clamping Jaw - Left	94
29	1	1 600 224 025	Retainer Ring (.734)	89	65	1	3 606 316 021	Gear	33
29.1	1	3 600 118 009	Retainer Ring (.839)	89	66	1	3 606 337 062	Eccentric Gear	34
30	1	2 600 101 513	Washer (.734)	65	67	2	2 603 435 012	Screw	89
30.1	1	3 600 101 043	Washer (.839)	65	68	2	2 600 100 613	Washer	65
31	1	3 604 616 007	Spring (.734)	27	69	2	1 600 910 012	Needle Bearing (.734)	56
31.1	1	3 604 616 016	Spring (.839)	27	69.1	2	9 001 140 359	Needle Bearing (.839)	56
32	1	2 600 101 601	Washer (.734)	65	90	1	2 910 211 022	Screw (.839)	89
32.1	1	3 600 101 044	Washer (.839)	65	200	2	2 604 448 100	Cable 68mm	10
33	1	3 606 316 019	Gear (.734)	32	211	1	1 601 110 449	Label "Warning"	9
33.1	1	3 606 316 071	Gear (.839)	32	A 650	1	1 607 950 002	Chuck Key	9
34	2	1 903 230 011	Ball	66	A 700	1	1 612 025 024	Auxiliary Handle	9
35	1	3 604 610 018	Spring	27			w/pos. 700/2-700/6		
36	1	3 606 316 020	Gear	31	700/2	2	2 915 011 007	Nut	89
37	1	3 603 300 007	Nut (.839)	85	700/3	1	1 613 480 007	Wing Screw	89
38	1	3 600 118 010	Retainer Ring (.839)	89	700/5	1	2 608 040 014	Clamping Plate	80
39	1	2 600 100 505	Shim 0.50mm	65	700/6	1	1 613 480 008	Wing Screw	89
40	1	See pos. 800	Intermediate Plate	-	A 701	1	3 603 000 004	Depth Gauge	9
41	1	2 601 328 033	Air Deflector	24	800	1	3 605 700 054	Intermediate Plate	38
43	4	2 910 611 005	Screw	89			w/pos. 27,40		
44	1	2 600 150 004	Shim	64	810	1	2 604 321 905	Brush Set	26

SERVICE NOTES: