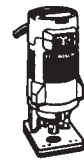
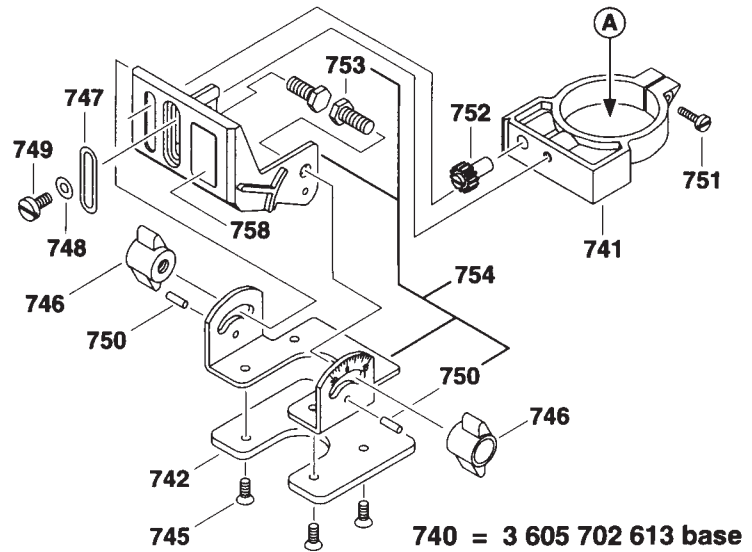
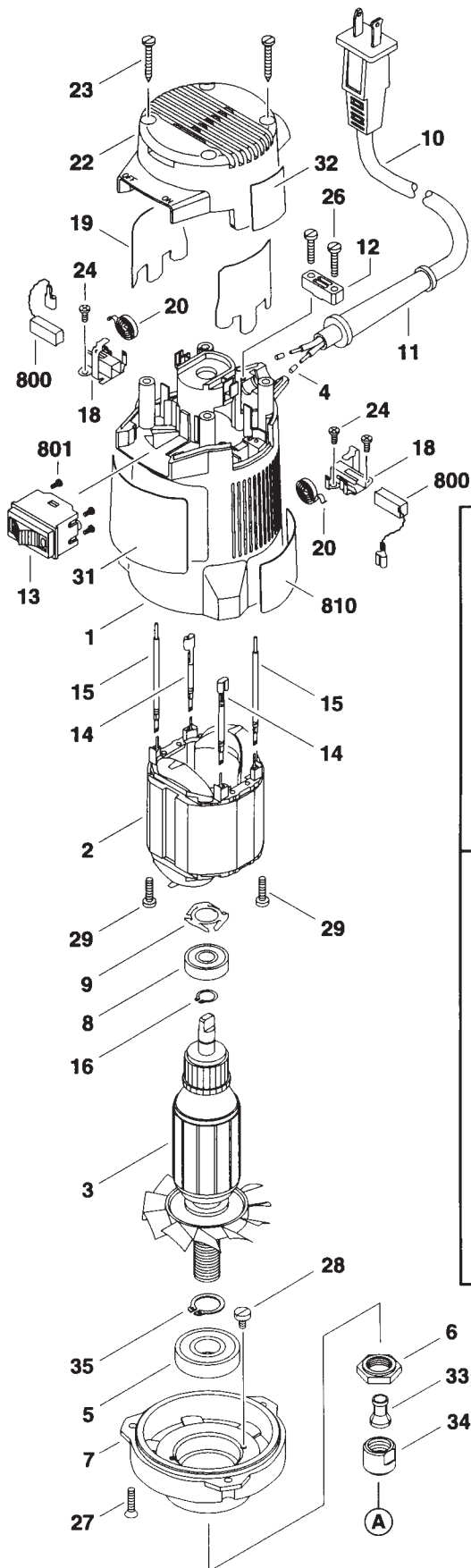


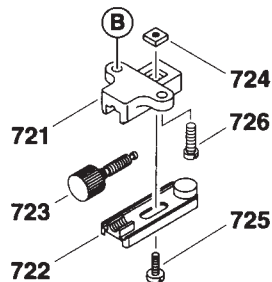


BOSCH

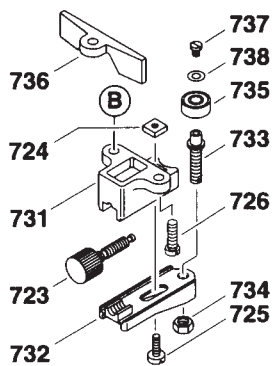
LAMINATE TRIMMER SERIES 1608

**DOUBLE INSULATED 115V****SERVICE PARTS LIST - JANUARY 1995**

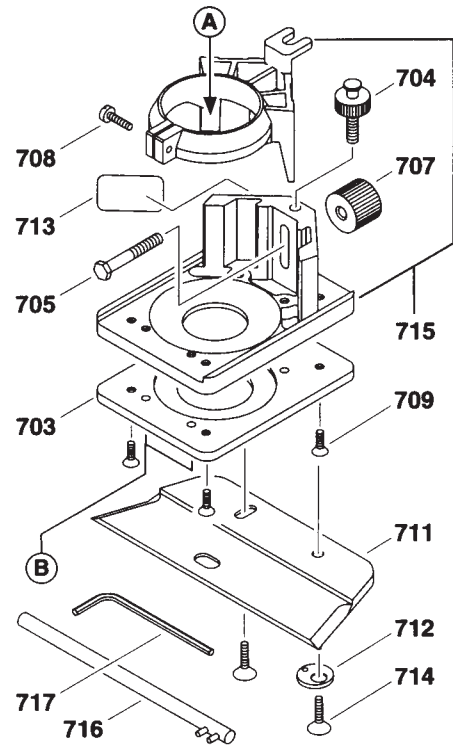
720 = 3 607 000 506 trim guide



730 = 3 607 000 555 deluxe trim guide



700 = 3 605 702 619 base
710 = 3 605 702 625 base



MARKETING NUMBER	MODEL NUMBER
1608M	060 1608 034
1608	060 1608 134
1608L	060 1608 234
1608T	060 1608 334
1608LX	060 1608 434
1608U	060 1608 461
1608DW	060 1608 534

1608 LAMINATE TRIMMER SERIES

S-B Power Tool Company 4300 W. Peterson Ave. Chicago, IL 60646-5999

Pos.	Qty	Part number	Description	F/C	Pos.	Qty	Part number	Description	F/C
1	1	3 605 108 573	Motor Housing	71	710	1	3 605 702 625	Underscribe Base	9
2	1	1 604 220 196	Field 115V	22				w/pos. 703-717	
3	1	3 604 011 579	Armature w/Fan 115V	AW	711	1	3 601 032 522	Plate	65
4	2	1 900 452 012	Terminal Sleeve	11	712	1	3 600 132 505	Adjusting Cam	65
5	1	2 610 908 032	Ball Bearing	61	713	1	3 601 119 734	Label	9
6	1	3 603 311 521	Nut	85	714	2	3 603 415 565	Screw	89
7	1	3 605 702 573	Bearing Housing	73	715	1	3 607 000 615	Clamp & Base Assembly	80
8	1	1 900 905 018	Ball Bearing	60	716	1	9 601 497 911	Pin Wrench	9
9	1	3 600 150 501	Washer	65	717	1	1 907 950 004	Allen Wrench 3mm	9
10	1	3 604 460 555	Cord 115V 18/2	11	720	1	3 607 000 506	Trim Guide	9
11	1	2 600 703 013	Strain Relief	11				w/pos. 721-726	
12	1	2 601 035 001	Cord Clamp	89	721	1	3 602 380 500	Guide Holder	9
13	1	3 607 200 511	Switch On/Off	15	722	1	3 602 386 502	Guide Piece	9
14	2	3 604 441 501	Cable 50mm	10	723	1	3 603 481 512	Knurled Screw	85
15	2	3 604 441 509	Cable 101mm	10	724	1	2 915 121 004	Nut	89
16	1	2 916 640 004	Retaining Ring	89	725	1	2 910 091 120	Screw	89
18	2	2 601 323 021	Brush Holder	25	726	2	2 910 001 126	Screw Set (5 pcs.)	89
19	2	3 601 033 503	Insulator	9	730	1	3 607 000 555	Deluxe Trim Guide	9
20	2	1 604 652 013	Brush Spring	27				w/pos.723-726, 731-738	
22	1	3 605 500 580	Housing Cover	70	731	1	3 602 380 501	Guide Holder	9
23	4	2 910 211 214	Screw	89	732	1	3 602 386 504	Guide Piece	9
24	4	2 910 611 404	Screw	89	733	1	3 603 481 514	Threaded Stud	89
26	2	2 910 611 019	Screw	89	734	1	2 915 011 006	Nut	89
27	3	2 910 601 412	Screw	89	735	1	2 610 906 500	Ball Bearing	56
28	2	2 914 461 044	Screw	89	736	1	3 602 305 502	Guide Shoe	9
29	2	2 910 611 006	Screw	89	737	1	2 910 091 046	Screw	89
31	1	2 610 907 045	Label "1608M"	9	738	1	2 916 014 006	Washer	65
31.1	1	2 610 906 891	Label "1608"	9	740	1	3 605 702 613	Tilt Base w/pos. 741-758	9
31.2	1	3 601 119 689	Label "1608L"	9	741	1	3 605 702 547	Clamping Ring	80
31.3	1	2 610 906 895	Label "1608T"	9	742	1	3 600 190 514	Subbase	88
31.4	1	2 610 906 893	Label "1608LX"	9	745	4	3 603 415 562	Screw	89
31.5	1	2 610 906 896	Label "1608U"	9	746	2	1 603 339 006	Wing Nut	85
31.6	1	2 610 906 892	Label "1608DW"	9	747	1	3 600 100 523	Washer	65
32	1	2 610 907 030	Label "Caution"	9	748	1	3 600 100 520	Washer	65
33	1	2 608 570 064	Collet	91	749	1	2 910 091 152	Screw	89
34	1	2 603 312 001	Collet Nut	91	750	2	3 603 106 510	Pin	66
35	1	2 916 650 003	Retainer Ring	89	751	1	2 910 001 126	Screw Set (5 pcs.)	89
+ 50	1	3 605 510 556	Insulating Boot (1608DW)	92	752	1	3 606 100 504	Gear	33
700	1	3 605 702 619	Laminate Trimmer Base w/pos. 703-709	9	753	2	2 911 051 197	Hex Bolt	89
					754	1	3 607 000 514	Base & Cradle Assembly w/pos. 750, 753	88
703	1	3 601 039 503	Subbase	88					
704	1	3 603 481 516	Adjusting Screw	89	758	1	3 601 119 610	Nameplate	9
705	1	2 911 001 166	Hex Bolt	89	800	1	1 607 014 128	Brush Set	26
707	1	3 603 345 508	Knurled Knob	85	801	4	2 603 410 023	Screw	89
708	1	2 910 021 122	Screw	89	805	2	9 601 497 907	Wrench	9
709	4	2 912 341 120	Screw	89	810	1	3 601 119 595	Nameplate	9

SERVICE NOTES: