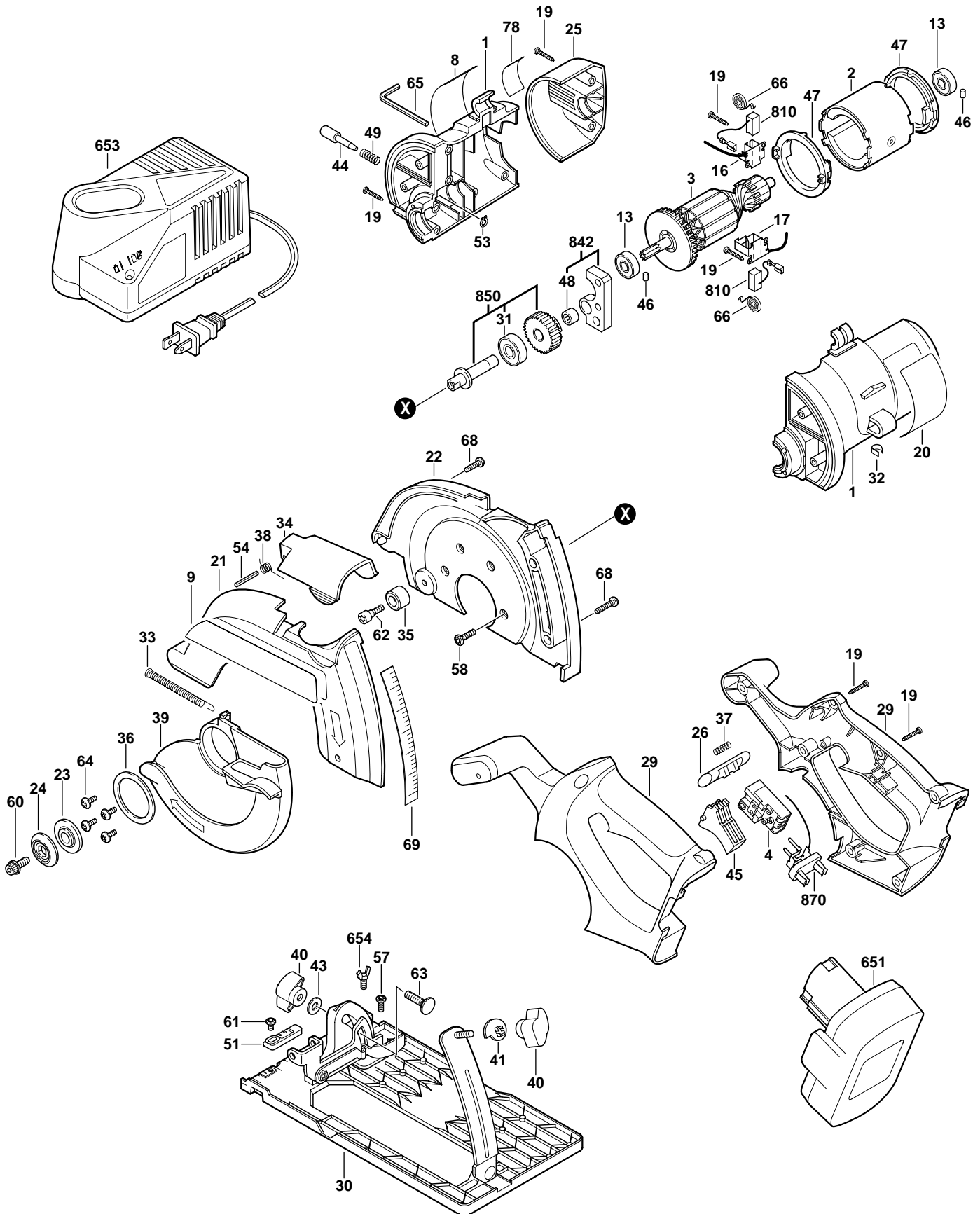


BOSCH

September 2002
INDUSTRIAL

18V CIRCULAR SAW
Model 060166C326

1662



1662 18V CIRCULAR SAW

Pos.	Part Number	Description {Qty.}	F/C	Pos.	Part Number	Description {Qty.}	F/C
1	2 610 997 458	Motor Housing Assembly	71	44	2 610 997 464	Pin	66
2	1 615 100 008	Field	22	45	2 610 997 461	Switch Lever	64
3	2 610 997 547	Armature w/Fan	AW	46	2 610 350 103	Rubber Pin {2}	66
4	2 610 997 469	Switch On/Off	15	47	1 610 290 043	Locating Ring {2}	80
8	2 610 916 827	Nameplate	9	48	1 600 910 018	Needle Bearing	56
9	2 610 916 828	Label	9	49	2 610 356 528	Spring	27
13	2 610 351 861	Ball Bearing {2}	60	51	2 610 997 451	Indicator	9
16	2 610 997 519	Brush Holder	25	53	2 610 021 862	Retaining Ring	89
17	2 610 997 518	Brush Holder	2	54	2 610 015 968	Pin	66
19	2 610 909 719	Screw {20}	89	57	2 610 350 698	Screw	89
20	2 610 916 835	Label	9	58	2 610 326 578	Screw {4}	89
21	2 610 997 493	Upper Guard	92	60	2 610 997 475	Blade Bolt	85
22	2 610 997 491	Upper Guard	92	61	2 610 320 173	Screw	89
23	2 610 997 473	Inner Washer	91	62	2 610 309 976	Screw	89
24	2 610 997 472	Outer Washer	91	63	2 610 352 107	Carriage Bolt	89
25	2 610 997 459	Motor Housing Cover	70	64	2 610 907 295	Screw {4}	89
26	2 610 997 470	Lock Button	63	65	2 610 307 033	Allen Wrench 5/32"	9
29	2 610 997 545	Handle Assembly	74	66	1 604 652 014	Brush Spring {2}	27
30	2 610 997 471	Foot Assembly	88	68	2 610 323 540	Screw {4}	89
31	2 610 904 891	Ball Bearing	51	69	2 610 997 538	Scale	9
32	2 610 997 508	Spring	27	78	2 610 997 925	Label	9
33	2 610 997 489	Spring	27	651	2 607 335 401	Battery 18V	18
34	2 610 997 501	Cover	92	653	2 607 224 431	Multi-Volt Charger	18
35	2 610 029 568	Stop	9	654	2 610 990 806	Wing Screw	89
36	2 610 386 556	Washer	65	810	1 617 014 131	Brush Set	26
37	2 610 023 060	Spring	27	842	2 610 997 509	Bearing Plate Assembly	38
38	2 610 997 507	Spring	27			w/pos. 48	
39	2 610 997 498	Lower Guard	92	850	2 610 907 305	Gear & Shaft Assembly	32
40	2 610 968 431	Knob {2}	63			w/pos. 31	
41	2 610 997 457	Indicator	9	870	2 610 997 911	Power Clip Assembly	10
43	2 610 068 566	Washer	65				

Service Notes: