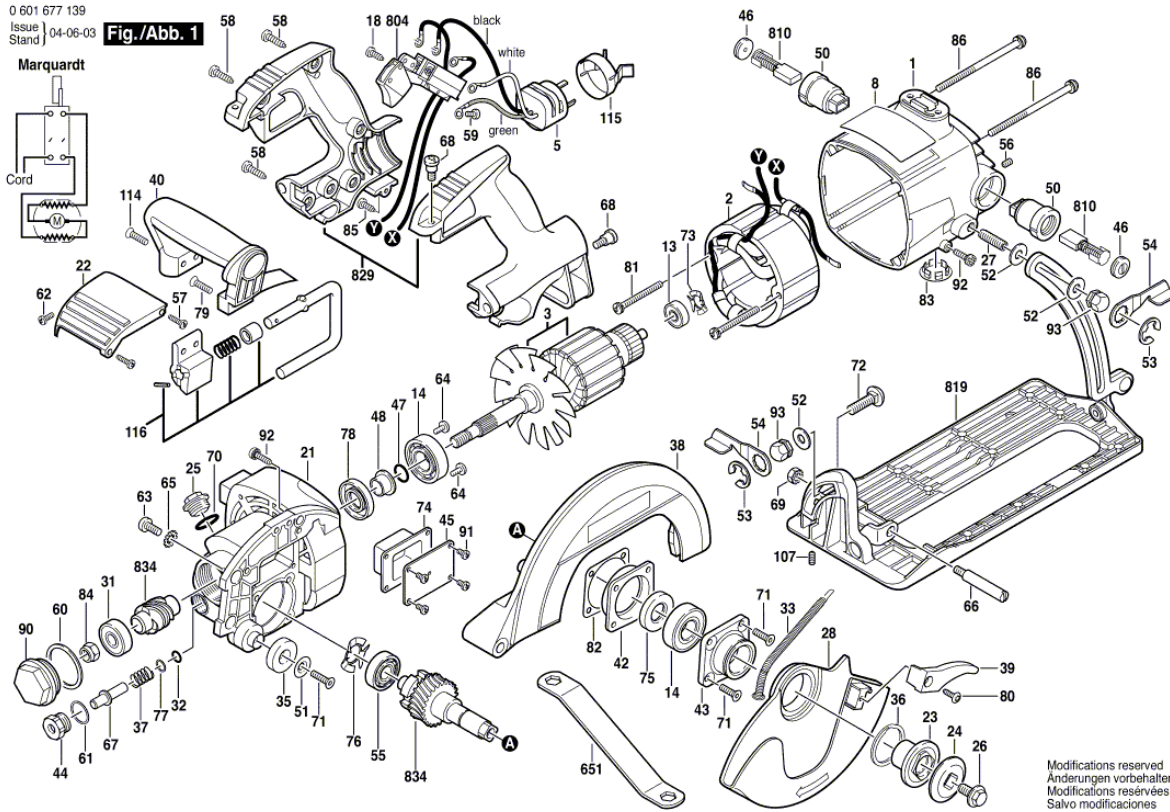




0 601 677 239 UN-HD PORT. CIRCULAR SAW 1677 MDT

04.11.2005
21:18:42



| Item | Quantity | Order No. | Designation | Price group | Page |
|------|----------|---------------|--------------------------|-------------|------|
| 1 | 1 | 2 610 906 405 | HOUSING | | 1 |
| 2 | 1 | 2 610 907 821 | POLE SHOE \ 120V | | 1 |
| 3 | 1 | 2 610 329 931 | ARMATURE \ 120V | | 1 |
| 5 | 1 | 2 610 916 916 | CONNECTOR CABLE | | 1 |
| 8 | 1 | 2 610 917 131 | NAMEPLATE | | 1 |
| 13 | 1 | 2 610 017 348 | DEEP-GROOVE BALL BEARING | | 1 |
| 14 | 2 | 2 610 024 748 | BALL BEARING | | 1 |
| 18 | 1 | 2 610 901 971 | SCREW | | 1 |
| 21 | 1 | 2 610 906 401 | HOUSING | | 1 |
| 22 | 1 | 2 610 911 489 | COVER | | 1 |
| 23 | 1 | 2 610 352 118 | PLAIN WASHER | | 1 |
| 24 | 1 | 2 610 901 964 | PLAIN WASHER | | 1 |
| 25 | 1 | 2 610 023 384 | LOCK | | 1 |
| 26 | 1 | 2 610 000 050 | BOLT | | 1 |
| 27 | 1 | 2 610 315 286 | PIN | | 1 |
| 28 | 1 | 2 610 911 146 | KNIFE GUARD | | 1 |
| 31 | 1 | 2 610 017 875 | BALL BEARING | | 1 |
| 32 | 1 | 2 610 015 726 | RING | | 1 |
| 33 | 1 | 2 610 911 148 | EXTENSION SPRING | | 1 |
| 35 | 1 | 2 610 319 494 | BUFFER | | 1 |
| 36 | 1 | 2 610 341 359 | RETAINING RING | | 1 |
| 37 | 1 | 2 610 023 394 | SPRING | | 1 |
| 38 | 1 | 2 610 911 149 | KNIFE GUARD | | 1 |
| 39 | 1 | 2 610 911 213 | LEVER | | 1 |
| 40 | 1 | 2 610 911 490 | HANDLE | | 1 |
| 41 | 3 | 2 610 316 596 | TERMINAL | | 0 |
| 42 | 1 | 2 610 352 115 | PIVOT PLATE | | 1 |
| 43 | 1 | 2 610 352 091 | HOLDING PLATE | | 1 |
| 44 | 1 | 2 610 023 324 | FASTENING PIN | | 1 |
| 45 | 1 | 2 610 023 336 | COVER | | 1 |
| 46 | 2 | 3 603 463 500 | SCREW PLUG | | 1 |
| 47 | 1 | 2 610 044 638 | RING | | 1 |
| 48 | 1 | 2 610 023 330 | SEAL | | 1 |
| 50 | 2 | 2 610 329 940 | CARBON BRUSH HOLDER | | 1 |
| 51 | 1 | 2 610 004 341 | DISC | | 1 |
| 52 | 3 | 2 610 912 616 | DISC | | 1 |
| 53 | 2 | 2 610 968 747 | RETAINING RING | | 1 |
| 54 | 2 | 2 610 968 745 | LEVER | | 1 |
| 55 | 1 | 2 610 000 166 | BALL BEARING | | 1 |
| 56 | 2 | 2 610 027 039 | FITTING SCREW | | 1 |
| 57 | 4 | 2 610 315 299 | SCREW | | 1 |
| 58 | 5 | 2 610 315 380 | SCREW | | 1 |
| 59 | 1 | 2 610 320 173 | SCREW | | 1 |
| 60 | 1 | 2 610 023 331 | WASHER | | 1 |
| 61 | 1 | 2 610 025 067 | WASHER | | 1 |
| 62 | 1 | 2 610 329 929 | SCREW | | 1 |
| 63 | 2 | 2 610 329 955 | SCREW | | 1 |
| 64 | 3 | 2 610 341 365 | SCREW | | 1 |
| 65 | 2 | 2 610 306 355 | WASHER | | 1 |
| 66 | 1 | 2 610 319 932 | PIN | | 1 |
| 67 | 1 | 2 610 325 655 | FASTENING PIN | | 1 |

| | | | | |
|-----|---|---------------|--------------------|---|
| 68 | 4 | 2 610 353 799 | SHIM RING | 1 |
| 69 | 1 | 2 610 356 026 | NUT | 1 |
| 70 | 1 | 2 610 044 639 | O-RING | 1 |
| 71 | 5 | 2 610 027 002 | SCREW | 1 |
| 72 | 1 | 2 610 911 837 | ROLLER PIN | 1 |
| 73 | 1 | 2 610 004 459 | WASHER | 1 |
| 74 | 1 | 2 610 023 335 | INSERT | 1 |
| 75 | 1 | 2 610 025 245 | SEAL | 1 |
| 76 | 1 | 2 610 004 521 | SPRING | 1 |
| 77 | 1 | 2 610 017 016 | DISC | 1 |
| 78 | 1 | 2 610 329 927 | SNAP RING | 1 |
| 79 | 2 | 2 610 993 549 | SCREW | 1 |
| 80 | 1 | 2 610 328 924 | SCREW | 1 |
| 81 | 2 | 2 610 329 950 | SELF-TAPPING SCREW | 1 |
| 82 | 1 | 2 610 023 334 | SEALING PLATE | 1 |
| 83 | 1 | 2 610 350 005 | PLUG | 1 |
| 84 | 1 | 2 610 318 324 | NUT | 1 |
| 85 | 1 | 2 610 315 386 | SCREW | 1 |
| 86 | 4 | 2 610 329 953 | SELF-TAPPING SCREW | 1 |
| 90 | 1 | 2 610 923 336 | BEARING END PLATE | 1 |
| 91 | 4 | 2 610 353 289 | SELF-TAPPING SCREW | 1 |
| 92 | 2 | 2 610 352 140 | SCREW | 1 |
| 93 | 2 | 2 610 968 746 | NUT | 1 |
| 107 | 1 | 2 610 911 889 | SCREW | 1 |
| 114 | 2 | 2 610 911 890 | SCREW | 1 |
| 115 | 1 | 2 610 920 384 | SNAP RING | 1 |
| 116 | 1 | 2 610 917 232 | HOOK | 1 |
| 651 | 1 | 2 610 000 266 | SCREWDRIVER | 1 |
| 804 | 1 | 2 610 321 608 | ON-OFF SWITCH | 1 |
| 810 | 1 | 2 610 912 980 | BRUSH HOLDER | 1 |
| 819 | 1 | 2 610 996 624 | BASE | 1 |
| 829 | 1 | 2 610 917 012 | SET OF HANDLES | 1 |
| 834 | 1 | 2 610 357 524 | GEAR HOUSING | 1 |

