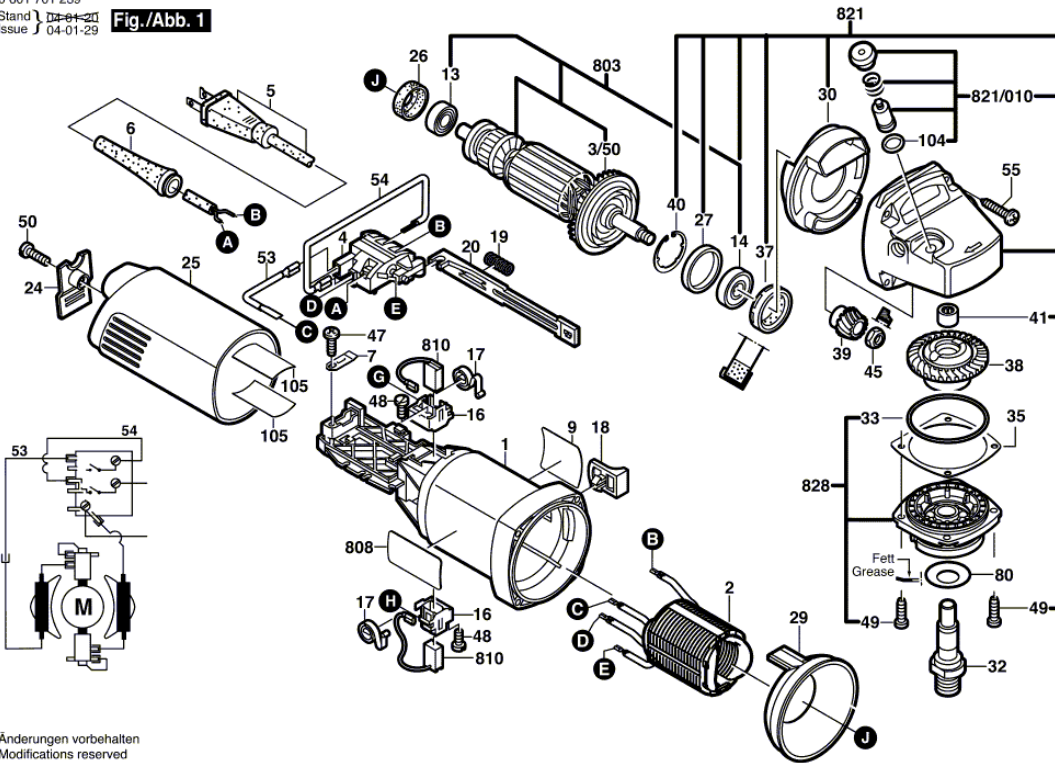




# 0 601 701 239 ANGLE GRINDER 1701

24.10.2005  
22:34:19

0 601 701 239  
Stand J 04-01-20  
Issue J 04-01-29 **Fig./Abb. 1**

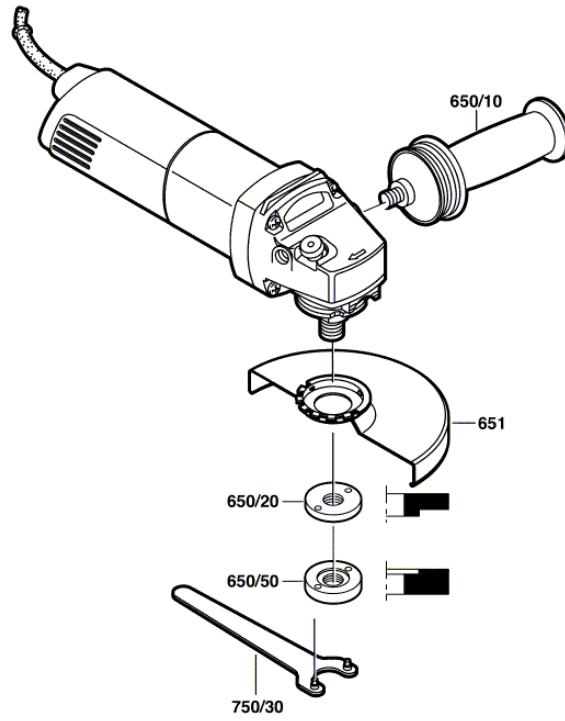


Änderungen vorbehalten  
Modifications reserved  
Modifications réservées  
Salvo modificaciones

Item	Quantity	Order No.	Designation	Price group	Page
1	1	1 605 108 208	MOTOR HOUSING \ BLUE	23	1
2	1	1 604 220 308	FIELD \ 110-120V	34	1
3/50	1	1 606 610 132	FAN	12	1
4	1	1 607 200 141	ON-OFF SWITCH	26	1
5	1	2 604 460 188	MAINS CONNECTION CABLE \ USA/CDN 2,68m 2 x 082mm SJ 18/2		1
6	1	2 600 703 013	GROMMET \ Ø 7,6-Ø 8,2x95 MM	12	1
7	1	1 601 302 017	FASTENING CLAMP	11	1
9	1	1 601 118 C77	MANUFACTURER'S NAMEPLATE	15	1
13	1	1 600 905 017	DEEP-GROOVE BALL BEARING	18	1
14	1	1 600 905 011	DEEP-GROOVE BALL BEARING \ Ø8xØ22x7 MM		1
16	2	1 601 323 025	BRUSH HOLDER	15	1
17	2	1 604 652 013	SPIRAL SPRING		1
18	1	1 602 026 057	SWITCH HANDLE \ BLACK	11	1
19	1	1 604 611 026	COMPRESSION SPRING	11	1
20	1	1 602 319 011	ADJUSTING SLIDE	11	1
24	1	1 605 500 228	COVER \ BLUE	14	1
25	1	1 605 500 226	HOUSING COVER \ BLUE	19	1
26	1	1 600 206 036	RUBBER RING		1
27	1	1 600 206 025	INTERMEDIATE RING	11	1
29	1	1 600 591 025	AIR-DEFLECTOR RING	13	1
30	1	1 600 591 014	AIR-DEFLECTOR RING	13	1
32	1	1 603 523 122	GRINDING SPINDLE \ 5/8"	33	1
33	1	1 600 210 035	O-RING \ 46x1,1MM		1
35	1	1 600 136 013	SHIM \ 0,10 MM \ THICK	13	1
35	1	1 600 136 014	SHIM \ 0,20 MM \ THICK	13	1
35	1	1 600 136 015	SHIM \ 0,30 MM \ THICK	13	1
37	1	1 600 290 016	RADIAL-LIP-TYPE OIL SEAL	12	1
38	1	1 606 333 610	CROWN GEAR \ Z=38	24	1

39	1	1 606 333 259	BEVEL GEAR \ Z=11	26	1
40	1	1 600 119 011	C-CLIP	11	1
41	1	1 600 200 029	FRICTION BEARING	12	1
45	1	1 603 300 016	HEXAGON NUT \ M7, SW10	11	1
47	1	2 912 401 018	SELF-TAPPING SCREW \ DIN7981-ST3,9x13-C-Z	10	1
48	4	2 912 401 005	SELF-TAPPING SCREW \ DIN7981-ST2,9x9,5C-Z	10	1
49	4	1 603 435 026	THREAD-FORMING TAP. SCREW	12	1
50	2	2 912 401 420	SELF-TAPPING SCREW \ DIN7981-ST3,9x19-F-Z	11	1
53	1	1 604 448 013	CONNECTING CABLE \ L=90 MM \ WHITE	13	1
54	1	1 604 438 026	CONNECTING CABLE	14	1
55	4	1 603 415 005	OVAL-HEAD SCREW		1
80	1	3 600 150 021	SEALING WASHER	13	1
104	1	1 600 210 044	O-RING \ 4x1 MM \ RED/BLUE	11	1
105	2	1 601 008 005	INSULATING PLATE	14	1
180	1	1 601 118 A55	WARNING PLATE		0
650/10	1	1 602 025 031	AUXILIARY HANDLE \ M10, Ø37x115 MM \ ANTI-VIBRATION	28	2
650/20	1	3 603 340 501	ROUND NUT \ 5/8"-FL+B		2
650/50	1	3 603 340 503	ROUND NUT \ 5/8"		2
651	1	1 605 510 362	PROTECTIVE COVER \ Ø 125 MM	27	2
750/30	1	1 607 950 052	PIN-TYPE FACE-WRENCH	15	2
752	1	1 603 340 031	FAST LOCKING FLANGE \ M14		0
803	1	1 604 010 661	ARMATURE \ 110-120V	43	1
808	1	1 601 118 F70	NAMEPLATE	15	1
810	1	1 607 014 172	CARBON-BRUSH SET	25	1
818	2	2 910 110 048	SLOTTED PAN-HEAD SCREW \ DIN 85-AM3x6-CUZN	10	0
821	1	1 605 806 451	GEAR HOUSING	35	1
821/010	1	1 607 000 253	PUSH-BUTTON \ BLACK	14	1
828	1	1 607 000 347	BEARING FLANGE \ Ø 110-125 MM	27	1

0 601 701 239  
Stand } 04-01-20 **Fig./Abb. 2**  
Issue }



Änderungen vorbehalten  
Modifications réservées  
Modificaciones reservadas  
Salvo modificaciones

