

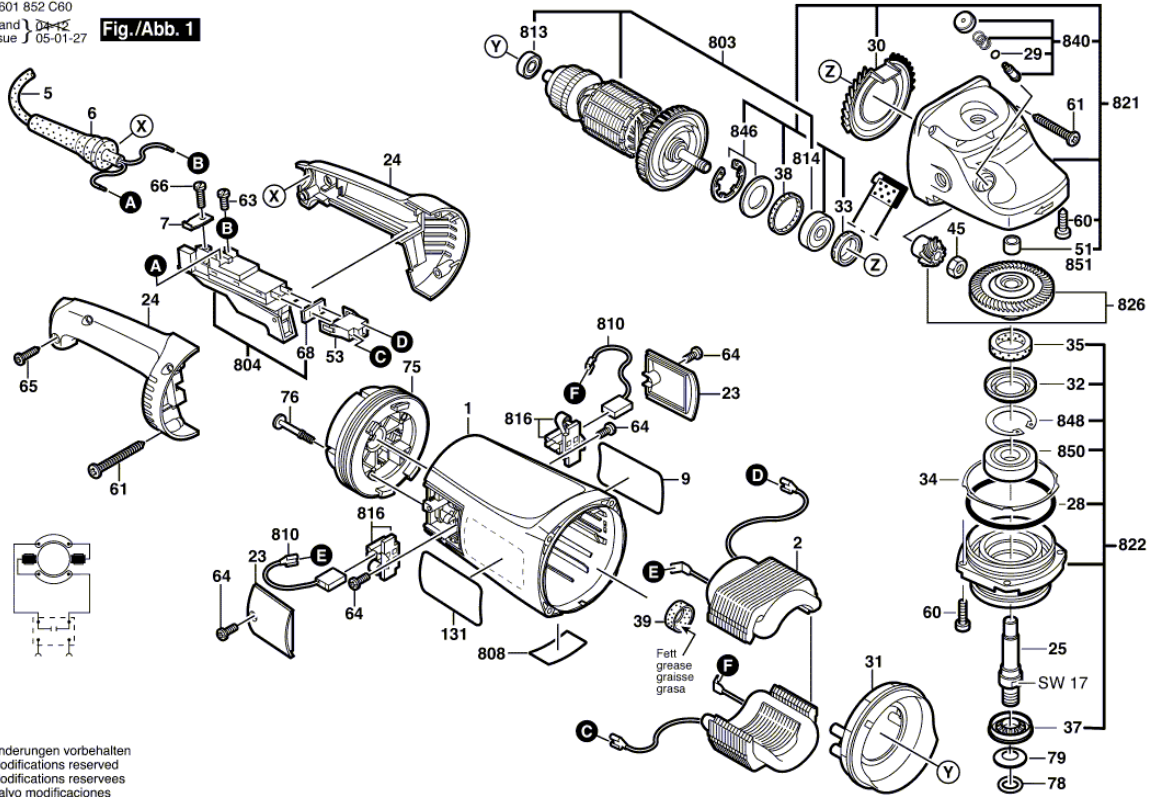


0 601 852 C60
ANGLE GRINDER 1873-6

24.10.2005
22:28:47

0 601 852 C60
Stand 04-12
Issue J 05-01-27

Fig./Abb. 1



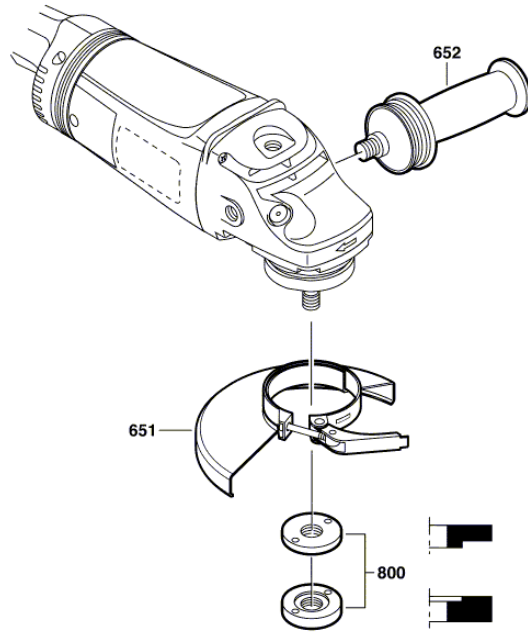
Änderungen vorbehalten
Modifications reserved
Modifications réservés
Salvo modificaciones

Item	Quantity	Order No.	Designation	Price group	Page
1	1	1 605 108 240	MOTOR HOUSING \ BLUE	28	1
2	1	1 604 220 385	FIELD \ 100-120V	38	1
5	1	1 604 460 133	MAINS CONNECTION CABLE \ USA/CDN 2,15m 2 x 2,08mm SJ 14/2		1
6	1	1 600 703 023	GROMMET \ Ø10,5-Ø11x100 MM	12	1
7	1	1 601 302 018	FASTENING CLAMP	11	1
9	1	1 601 118 F38	MANUFACTURER'S NAMEPLATE	15	1
23	2	1 605 500 206	LOCKING COVER \ BLUE	16	1
24	1	1 605 132 141	HANDLE \ BLUE	22	1
25	1	1 603 523 117	GRINDING SPINDLE \ 5/8"	30	1
28	1	1 600 210 033	O-RING \ 80x1,8 MM	11	1
29	1	1 600 210 045	O-RING \ 8x1 MM	11	1
30	1	1 600 591 029	AIR DISTRIBUTOR	13	1
31	1	1 600 591 028	AIR-DEFLECTOR RING	13	1
32	1	1 600 290 019	RETAINING RING	11	1
33	1	1 600 290 013	RADIAL-LIP-TYPE OIL SEAL \ RED	13	1
34	1	1 600 190 020	SHIM \ 0,15 MM	11	1
34	1	1 600 190 021	SHIM \ 0,30 MM	11	1
34	1	1 600 190 022	SHIM \ 0,10 MM	11	1
34	1	1 600 190 037	SHIM \ 0,20 MM	10	1
34	1	1 600 190 038	SHIM \ 0,25 MM	10	1
34	1	1 600 190 039	SHIM \ 0,35 MM	10	1
34	1	1 600 190 040	SHIM \ 0,40 MM	10	1
35	1	1 600 205 034	FELT WASHER	11	1
37	1	1 600 290 050	SEAL RING \ RED	14	1
38	1	1 600 206 020	RUBBER RING \ 7 MM \ WIDE	11	1
39	1	1 600 206 030	RUBBER RING	11	1
45	1	1 603 300 019	HEXAGON NUT \ M10, SW14	11	1
51	1	1 600 200 031	FRICITION BEARING \ Ø14 MM	11	1
53	1	1 605 190 068	SOCKET HOUSING	11	1
60	4	1 603 435 023	THREAD-FORMING TAP. SCREW \ TT M5x18 MM	11	1
61	6	2 912 401 038	SELF-TAPPING SCREW \ DIN 7981-4,8x38-C-Z-ST	10	1
63	2	1 603 410 014	SLOTTED PAN-HEAD SCREW \ M4x10 MM	11	1
64	4	1 603 435 042	SELF-CUTTING SCREW	11	1
65	2	2 912 401 020	SELF-TAPPING SCREW \ DIN 7981-3,9x19-C-Z-ST		1
66	1	2 910 211 019	SELF-TAPPING SCREW \ DIN 7971-ST3,9x16-F	10	1
68	1	1 601 006 011	SEALING PLATE	11	1
75	1	1 600 290 057	DAMPING ELEMENT	29	1
76	4	1 603 414 016	COLLAR SCREW \ TORX-PLUS-20-IP	11	1
78	1	1 900 210 111	O-RING \ 12x3 MM	13	1
79	1	1 600 171 001	LOCKING WASHER	11	1
131	1	1 601 118 G66	REFERENCE PLATE	15	1
651	1	1 605 510 353	PROTECTIVE COVER	35	2
652	1	1 602 025 030	AUXILIARY HANDLE \ M14, Ø37x115 MM \ BLACK	27	2
800	1	1 607 000 380	PARTS SET	26	2
803	1	1 604 011 178	ARMATURE \ 100-120V	45	1
804	1	1 607 000 704	ON-OFF SWITCH	36	1
808	1	1 601 106 999	NAMEPLATE \ 26x52 MM	15	1
810	1	1 607 014 171	CARBON-BRUSH SET	26	1

813	1	1 600 905 011	DEEP-GROOVE BALL BEARING \ Ø8xØ22x7 MM		1
814	1	1 600 905 025	DEEP-GROOVE BALL BEARING \ Ø10xØ35x11MM	24	1
816	2	1 604 336 048	BRUSH HOLDER	19	1
821	1	1 607 000 C03	GEAR HOUSING	39	1
822	1	1 607 000 C04	BEARING FLANGE \ Ø 180 MM	35	1
826	1	1 607 000 383	BEVEL GEAR SET		1
840	1	1 607 000 354	PUSH-BUTTON	12	1
846	1	1 607 000 342	RETAINING WASHER	12	1
848	1	1 600 119 010	C-CLIP	11	1
850	1	1 600 905 026	DEEP-GROOVE BALL BEARING	21	1
851	1	2 600 910 001	NEEDLE BUSHING \ Ø 14 MM	14	1

0 601 852 C60
Stand 04-12
Issue 05-01-27

Fig./Abb. 2



Änderungen vorbehalten
Modifications reserved
Modifications reserves
Salvo modificaciones

