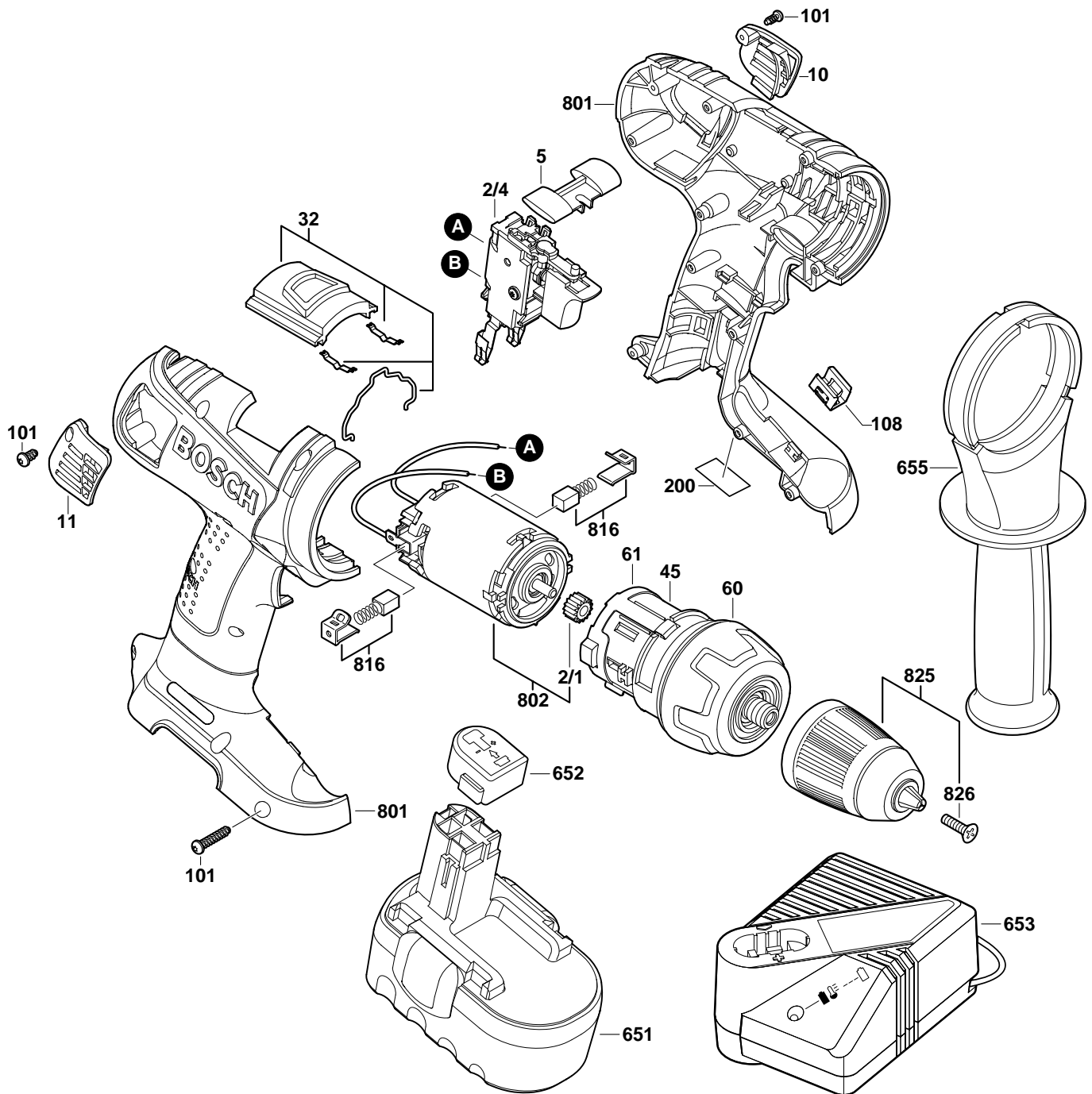


BOSCH

September 2002

INDUSTRIAL

18V DRILL / DRIVER**Model 0601912360****33618**

Pos.	Part Number	Description {Qty.}	F/C	Pos.	Part Number	Description {Qty.}	F/C
2/1	2 606 316 223	Pinion Gear	33	200	2 601 116 194	Nameplate	9
2/4	2 607 200 457	Switch	15	651	2 607 335 401	Battery 18V	18
5	2 601 099 112	Lever	9	652	2 609 100 101	Battery Cap	9
10	2 600 508 051	Brush Cover	9	653	2 607 224 431	Multi-Volt Charger	18
11	2 600 508 052	Brush Cover	9	655	2 602 025 126	Auxiliary Handle	9
32	2 601 099 127	Lever	64	801	2 605 105 917	Housing	71
45	2 606 200 131	Drive Assembly	40	802	2 607 022 852	Motor Assembly w/pos. 2/1, 816	19
60	2 605 190 394	Setting Ring	82	816	2 607 034 901	Brush Set	26
61	2 608 040 190	Support	38	825	2 608 572 900	1/2" Keyless Chuck	91
101	2 914 201 668	Screw {11}	89	826	2 603 421 900	Reverse Screw	85
108	2 604 690 027	Spring	9				

+ = Not Illustrated * = As Required F/C = Failure Code AW = Refer to AW Labor Time Chart