

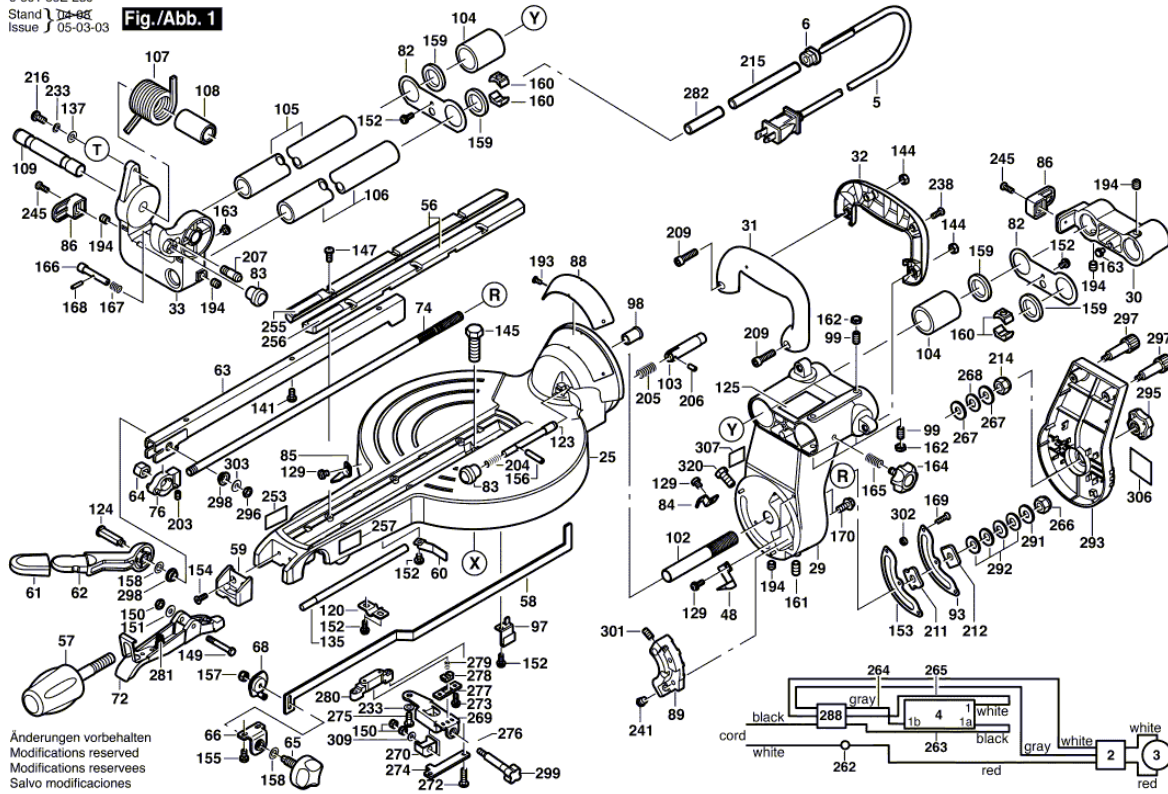


0 601 66E 239
CIRCULAR SAW 4410L

24.10.2005
22:41:55

0 601 66E 239
Stand 10-05
Issue J 05-03-03

Fig./Abb. 1



Änderungen vorbehalten
Modifications reserved
Modifications reserves
Salvo modificaciones

Item	Quantity	Order No.	Designation	Price group	Page
1	1	2 610 915 750	MOTOR HOUSING	34	3
2	1	2 610 915 751	STATOR	35	1
3	1	2 610 915 752	ARMATURE \ 115V	44	1
4	1	2 610 915 753	SWITCH SET	31	1
5	1	2 610 915 754	CORD	31	1
6	1	2 610 915 755	CORD GUARD	10	1
7	1	2 610 921 465	FASTENING CLAMP	10	3
8	1	2 610 924 734	NAMEPLATE	12	3
10	2	2 610 915 758	CARBON-BRUSH SET	19	3
13	1	2 610 911 928	BALL BEARING	23	3
14	1	2 610 911 927	BALL BEARING	31	3
16	2	2 610 915 761	BRUSH HOLDER	14	3
20	1	2 610 920 805	WARNING LABEL	10	2
22	1	2 610 919 259	BASE	46	2
23	1	2 610 919 261	EXTENSION STAND	29	2
24	1	2 610 919 262	EXTENSION STAND	29	2
25	1	2 610 919 260	SAW TABLE	45	1
26	1	2 610 919 263	SUPPORT	36	2
27	1	2 610 919 264	SUPPORT	32	2
28	1	2 610 919 265	SUPPORT	32	2
29	1	2 610 919 266	BEARING PEDESTAL	40	1
30	1	2 610 919 267	SUPPORT	26	1
31	1	2 610 915 772	HANDLE	21	1
32	1	2 610 915 727	HANDLE	21	1
33	1	2 610 915 728	BEARING PEDESTAL	34	1
34	1	2 610 919 268	GEAR HOUSING	40	3
35	1	2 610 927 691	SAFETY COVER	36	3
36	1	2 610 915 731	INTERMEDIATE LAYER	29	3
37	1	2 610 915 732	HOUSING COVER	18	3
38	1	2 610 919 275	HOUSING COVER	19	3
39	1	2 610 915 734	HANDLE COVER	22	3
40	1	2 610 915 735	BEARING PEDESTAL	20	3
41	1	2 610 915 736	BEARING PEDESTAL	20	3
42	1	2 610 915 737	BEARING PEDESTAL	23	3
43	1	2 610 915 738	BEARING PEDESTAL	23	3
44	1	2 610 915 739	TRIGGER	13	3
45	1	2 610 915 740	BUTTON	13	3
46	1	2 610 915 741	BUTTON	13	3
47	1	2 610 915 742	LINK	12	3
48	1	2 610 919 289	POINTER	10	1
49	1	2 610 915 744	RELEASE LEVER	17	3
50	1	2 610 915 745	CLAMP COLLAR	15	3
51	1	2 610 915 746	CLAMP COLLAR	15	3
52	1	2 610 915 747	LATCH	13	3
53	1	2 610 915 748	LATCH	13	3
54	1	2 610 911 853	TORSION SPRING	16	3
55	1	2 610 915 704	PLATE	13	3
56	2	2 610 919 286	SUPPORT PLATE	14	1
57	1	2 610 915 706	EMPUNADURA	22	1
58	1	2 610 919 285	LINKAGE	15	1
59	1	2 610 915 708	HOLDING FIXTURE	15	1

60	1	2 610 919 569	LEAF SPRING	10	1
61	1	2 610 915 710	COVER	14	1
62	1	2 610 915 711	LEVER	19	1
63	1	2 610 919 291	BRACKET	19	1
64	1	2 610 919 270	CAM	10	1
65	1	2 610 915 714	KNOB	15	1
66	1	2 610 915 715	BRACKET	10	1
67	1	2 610 919 570	CABLE CLIP	12	2
68	1	2 610 915 717	BRACKET	11	1
69	1	2 610 927 693	WHEEL GUARD	29	3
70	1	2 610 915 719	PLATE	14	3
71	1	2 610 919 284	LINKAGE	14	3
72	1	2 610 919 274	LOCKING LEVER	16	1
73	1	2 610 915 722	BAFFLE	11	3
74	1	2 610 919 290	ROD	23	1
75	2	2 610 915 724	ROLLER	10	3
76	1	2 610 919 271	CAM RING	20	1
77	1	2 610 915 726	BUTTON	10	3
78	1	2 610 915 686	STOP PLATE	10	2
79	3	2 610 915 687	KNOB	15	2
80	1	2 610 915 688	LOCKING LEVER	16	2
81	1	2 610 915 689	LOCKING LEVER	16	2
82	2	2 610 915 690	RETAINING PLATE	10	1
83	2	2 610 915 691	COVER	10	1
84	1	2 610 919 288	POINTER	10	1
85	1	2 610 919 283	POINTER	10	1
86	2	2 610 915 694	CABLE CRAMP	17	1
88	1	2 610 921 478	SCALE	12	1
89	1	2 610 919 574	ADJUSTING BLOCK	21	1
90	1	2 610 915 698	WRENCH SOCKET	16	2
91	1	2 610 915 699	RUBBER BUSHING	16	2
92	1	2 610 915 700	BEARING COVER PLATE	10	3
93	1	2 610 915 701	RETAINING PLATE	12	1
94	1	2 610 927 711	GEAR COVER	23	3
95	2	2 610 911 863	SLIDING PLATE	19	2
97	1	2 610 916 459	GUIDE BRACKET	10	1
98	1	2 610 916 460	BUSHING	11	1
99	4	2 610 921 843	SCREW	14	1
100	1	2 610 916 462	DETENT PIN	11	3
101	1	2 610 916 463	BLOCK	11	3
102	1	2 610 919 580	SHAFT PIVOT	14	1
103	1	2 610 915 759	DETENT PIN	15	1
104	2	2 610 915 760	SLIDING BEARING	37	1
105	1	2 610 916 792	SLIDING RAIL	37	1
106	1	2 610 916 793	SLIDING RAIL	36	1
107	1	2 610 922 577	TORSION SPRING	20	1
108	1	2 610 916 795	SLEEVE	10	1
109	1	2 610 916 796	SHAFT	13	1
110	1	2 610 919 577	LOCKING PIN	11	3
111	1	2 610 916 798	HELICAL GEAR	24	3
112	1	2 610 924 725	SHAFT	23	3
113	1	2 610 920 804	LABEL	10	2

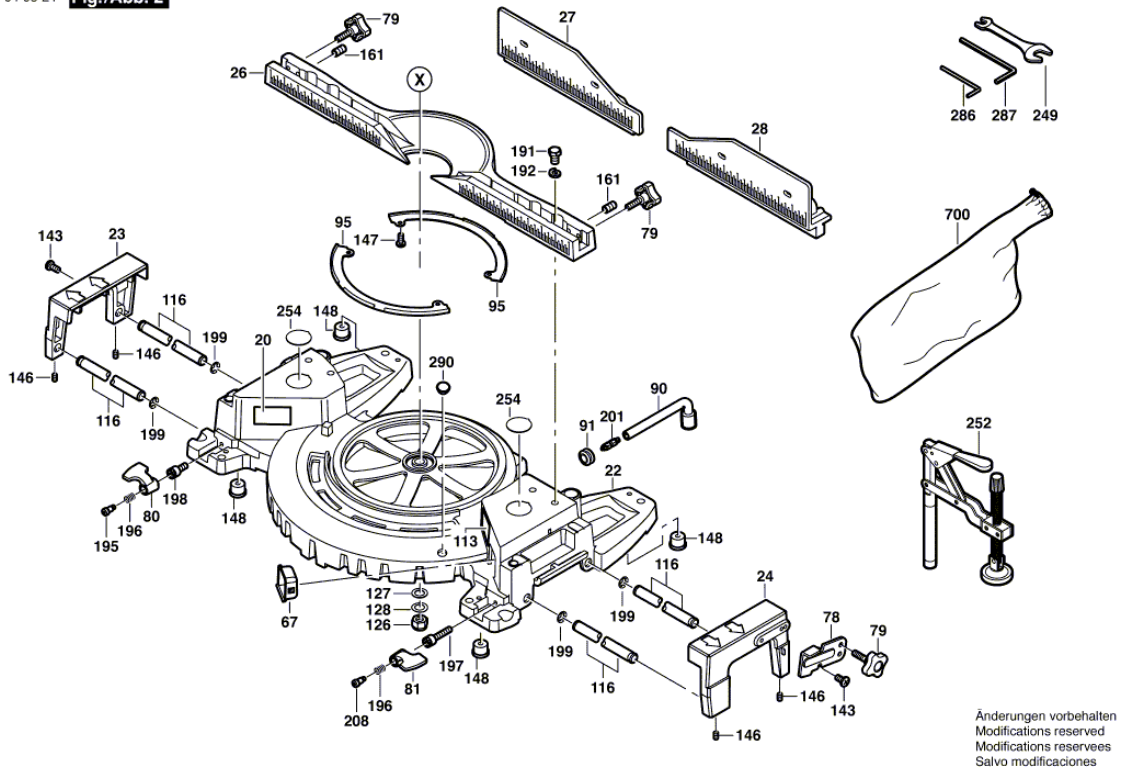
115	2	2 610 916 802	BRUSH-COVER	10	3
116	4	2 610 916 803	EXTENSION SHAFT	15	2
117	1	2 610 916 804	DRIVING PULLEY	16	3
118	1	2 610 921 197	TOOTHED V-BELT	30	3
119	1	2 610 919 294	PULLEY	19	3
120	1	2 610 916 807	GUIDE PLATE	10	1
121	1	2 610 933 125	COUNTER SHAFT		3
122	3	2 610 916 809	KEY	10	3
123	1	2 610 916 810	DETENT PIN	12	1
124	1	2 610 916 811	LEVER SHAFT	15	1
125	1	2 610 916 812	STICKER	12	1
126	1	2 610 911 886	LOCK NUT	11	2
127	1	2 610 911 887	PLAIN WASHER	11	2
128	1	2 610 911 868	SPRING WASHER	11	2
129	5	2 610 911 907	SCREW AND WASHER ASSEMBLY	10	1
130	2	2 610 911 908	ADJUSTING SCREW	13	3
131	2	2 610 911 937	SHIM	17	3
132	2	2 610 911 909	FLANGE	23	3
134	1	2 610 924 286	BOLT	12	3
135	1	2 610 921 469	ROD	10	1
136	1	2 610 911 598	SHOULDER SCREW	11	3
137	2	2 610 911 599	PLAIN WASHER	10	1
138	1	2 610 911 850	SPACER	11	3
139	2	2 610 911 872	CLAMP	11	3
140	2	2 610 911 458	SCREW	10	3
141	3	2 610 998 572	SCREW	10	1
142	6	2 610 318 846	SCREW	12	3
143	6	2 615 297 323	SCREW	10	2
144	2	2 610 911 896	NUT	10	1
145	1	2 610 911 861	HEXAGON SCREW	15	1
146	4	2 610 356 437	ADJUSTING SCREW	10	2
147	11	2 610 911 899	SCREW	11	1
148	4	2 610 358 846	RUBBER BUSHING	11	2
149	1	2 610 911 918	SCREW	14	1
150	3	2 610 911 901	LOCK NUT	12	1
151	1	2 610 347 092	PLAIN WASHER	10	1
152	6	2 610 911 897	SCREW	10	1
153	1	2 610 919 287	RETAINING PLATE	10	1
154	2	2 610 911 900	SCREW	10	1
155	2	2 610 910 784	SCREW	10	1
156	1	2 610 997 274	Pin	10	1
157	1	2 610 355 332	SQUARE NUT	11	1
158	2	2 610 921 458	WASHER	10	1
159	4	2 610 911 589	SEAL	22	1
160	4	2 610 919 102	CLAMPING BLOCK	10	1
161	4	2 610 911 914	ADJUSTING SCREW	14	1
162	4	2 610 328 618	NUT	10	1
163	2	2 610 911 584	RUBBER PAD	11	1
164	1	2 610 911 583	KNOB	21	1
165	1	2 610 911 582	SPRING	11	1
166	1	2 610 911 575	DETENT PIN	14	1
167	1	2 610 911 576	COMPRESSION SPRING	11	1

168	1	2 610 911 577	RETAINING PIN	10	1
169	3	2 610 358 848	SCREW	10	1
170	2	2 610 327 859	SCREW	10	1
171	1	2 610 911 911	SHOULDER SCREW	10	3
172	1	2 610 911 921	ROUND RUBBER	11	3
173	1	2 610 911 938	BALL BEARING	17	3
174	1	2 610 911 883	SHOULDER SCREW	14	3
175	1	2 610 911 906	WASHER	11	3
176	1	2 610 911 570	HEXAGON NUT	11	3
177	1	2 610 029 234	PLAIN WASHER	10	3
178	2	2 610 990 521	C-CLIP	10	3
179	2	2 610 004 925	SCREW	17	3
180	2	2 610 358 812	PIN	11	3
181	2	2 610 355 325	SPRING WASHER	10	3
183	1	2 610 327 846	BALL BEARING	21	3
185	2	2 610 317 505	SELF-TAPPING SCREW		3
186	1	2 610 993 102	KEY	11	3
187	1	2 610 997 281	C-CLIP	10	3
188	2	2 610 029 674	WASHER	10	3
189	1	2 610 911 925	RING	14	3
190	2	2 610 358 922	NEEDLE-ROLLER BEARING	24	3
191	4	2 610 355 277	SCREW	15	2
192	4	2 916 690 007	SPRING LOCK WASHER \ DIN 128-A8-FST	10	2
193	2	2 610 913 862	SCREW	11	1
194	5	2 610 910 786	ADJUSTING SCREW	10	1
195	1	2 610 919 060	SHOULDER SCREW	10	2
196	2	2 610 919 061	COMPRESSION SPRING	10	2
197	1	2 610 926 010	SCREW	13	2
198	1	2 610 926 011	SCREW	13	2
199	4	2 610 912 556	RETAINING RING	10	2
201	1	2 610 919 065	SCREWDRIVER BIT	10	2
203	1	2 610 355 295	SCREW	12	1
204	1	2 610 919 067	COMPRESSION SPRING	10	1
205	1	2 610 919 068	COMPRESSION SPRING	10	1
206	1	2 610 919 069	HOLDING PIN	10	1
207	1	2 610 911 873	SCREW	14	1
208	1	2 610 919 070	SHOULDER SCREW	10	2
209	2	2 610 919 071	STOP SCREW	10	1
210	3	2 610 320 304	SCREW		3
211	1	2 610 919 072	BRAKE PLATE	10	1
212	1	2 610 919 073	BRAKE PLATE	17	1
214	1	2 615 297 331	NUT	10	1
215	1	2 610 919 074	PVC TUBE	10	1
216	1	2 610 919 075	SHOULDER SCREW	10	1
217	1	2 610 919 076	SHOULDER SCREW	10	3
218	5	2 610 327 867	SCREW	10	3
219	4	2 610 998 575	SCREW	10	3
220	1	2 610 911 580	SCREW	16	3
221	1	2 610 919 077	COMPRESSION SPRING	10	3
222	1	2 610 919 078	PAD	10	3
223	1	2 610 919 079	BALL BEARING	22	3
224	1	2 610 919 080	SPRING	10	3

225	1	2 610 358 869	RETAINING RING	11	3
226	1	2 610 919 571	COVER	10	3
227	4	2 610 934 688	NUT		3
228	4	2 610 358 928	SCREW	11	3
229	2	2 610 911 569	INSERT	12	3
230	2	2 610 327 868	NUT	11	3
231	1	2 610 919 082	PVC TUBE	10	3
232	2	2 610 911 929	SCREW	11	3
233	2	2 610 911 450	WASHER	11	1
234	1	2 610 911 566	BEARING END PLATE	15	3
235	2	2 610 318 812	SCREW	10	3
236	1	2 610 919 083	RETAINING RING	10	3
237	2	2 610 919 084	SCREW	10	3
238	4	2 610 320 330	SCREW	10	1
239	1	2 610 919 085	COMPRESSION SPRING	10	3
240	2	2 610 915 162	SCREW	12	3
241	1	2 610 351 178	HEXAGON SCREW	10	1
242	6	2 610 914 401	SCREW	10	3
243	1	2 610 919 086	PIN	10	3
244	2	2 610 919 087	ADJUSTING SCREW	10	3
245	3	2 610 358 519	SCREW	10	1
246	1	2 610 358 521	HEXAGON NUT	10	3
247	1	2 610 916 061	STOP PLATE	13	3
249	1	2 610 917 658	ADJUSTING WRENCH	20	2
251	1	2 610 919 280	SUCTION TUBE	14	3
252	1	2 610 919 089	CLAMPING FIXTURE	31	2
253	1	2 610 917 098	LABEL	10	1
254	2	2 610 911 658	WARNING PLATE	15	2
255	1	2 610 917 099	LABEL	10	1
256	1	2 610 917 096	LABEL	10	1
257	1	2 610 920 807	STICKER	10	1
259	1	2 610 917 097	LABEL	10	3
262	1	2 610 911 933	CABLE CLIP	11	1
263	1	2 610 921 461	WIRE	10	1
264	1	2 610 921 462	WIRE	10	1
265	1	2 610 921 463	WIRE	10	1
266	1	2 610 910 791	NUT	14	1
267	2	2 610 910 792	WASHER	10	1
268	1	2 610 068 894	PLAIN WASHER	10	1
269	1	2 610 919 296	HOUSING	12	1
270	1	2 610 919 297	LOCKING PIECE	12	1
272	2	2 610 921 470	SCREW	10	1
273	2	2 610 921 471	SCREW	10	1
274	1	2 610 919 301	PLATE	11	1
275	1	2 610 921 472	SCREW	10	1
276	1	2 610 921 475	RETAINING RING	10	1
277	1	2 610 919 573	PLATE	11	1
278	1	2 610 919 300	LATCH	12	1
279	1	2 610 921 476	SPRING	10	1
280	1	2 610 919 575	BRACKET	11	1
281	1	2 610 921 477	SPRING	10	1
282	1	2 610 921 479	INSULATING SLEEVE	10	1

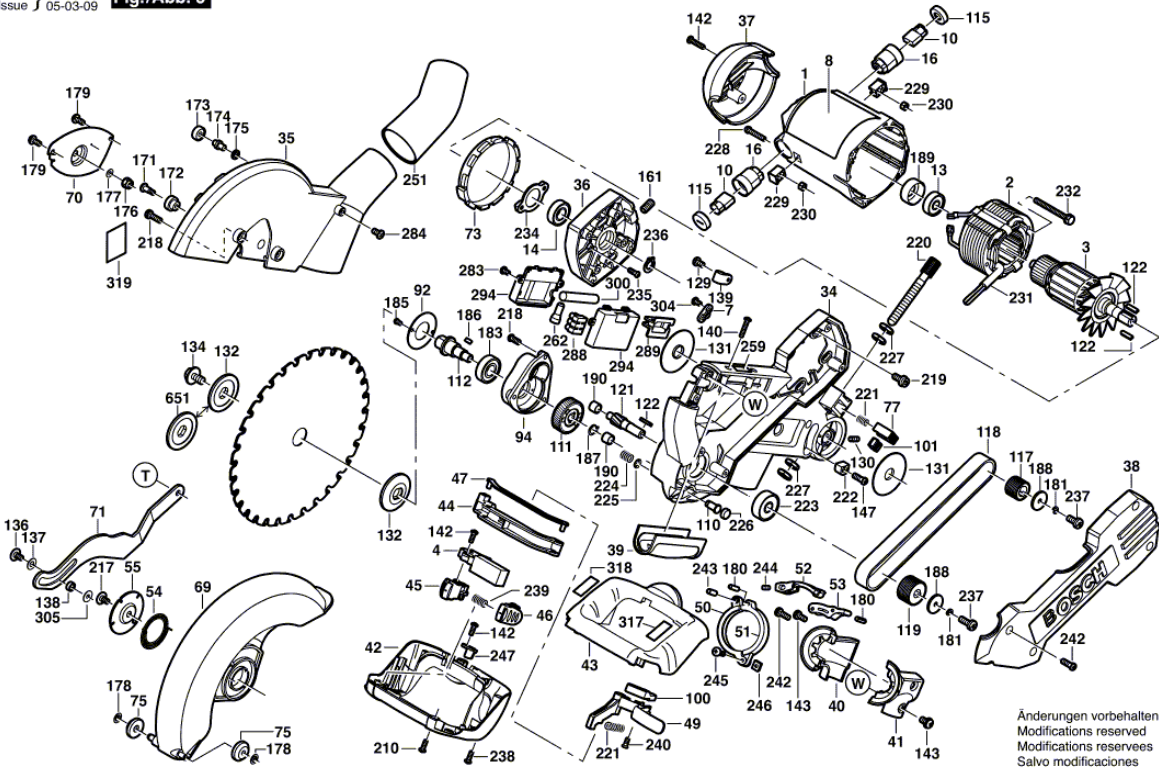
283	2	2 610 921 480	SCREW	10	3
284	1	2 610 921 481	SCREW	10	3
286	1	2 610 921 512	ENGINEERS WRENCH, DOUBLE	10	2
287	1	2 610 921 483	ENGINEERS WRENCH, DOUBLE	10	2
288	1	2 610 921 484	TERMINAL BLOCK	11	1
289	1	2 610 921 487	RUBBER PROFILE	10	3
290	1	2 610 921 488	COVER	10	2
291	1	2 610 919 282	PLAIN WASHER	10	1
292	4	2 610 919 281	PLAIN WASHER	10	1
293	1	2 610 919 272	HOUSING COVER	15	1
294	1	2 610 919 279	HOUSING COVER	10	3
295	1	2 610 919 273	NUT	10	1
296	1	2 610 921 459	NUT	10	1
297	2	2 610 921 460	KNOB	10	1
298	2	2 610 919 572	BUSHING	12	1
299	1	2 610 921 192	KNOB	10	1
300	1	2 610 921 464	SLEEVE	10	3
301	1	2 610 921 466	SCREW	10	1
302	2	2 610 921 467	SPACER	10	1
303	1	2 610 358 815	PLAIN WASHER		1
304	1	2 610 919 276	SCREW	10	3
305	1	2 610 913 099	PLAIN WASHER		3
306	1	2 610 920 808	STICKER	10	1
307	1	2 610 920 809	STICKER	10	1
309	1	2 610 002 585	WASHER		1
317	1	2 610 923 939	LABEL	12	3
318	1	2 610 923 938	LABEL	12	3
319	1	2 610 924 679	LABEL	12	3
320	1	2 610 906 037	SCREW BOLT	12	1
651	1	2 610 924 646	LASER	38	3
700	1	2 610 921 202	DUST BAG		2

0 601 66E 239
Stand Issue } 04-08-24 **Fig./Abb. 2**



0 601 66E 239
Stand 04-09
Issue J 05-03-09

Fig./Abb. 3



Änderungen vorbehalten
Modifications reserved
Modifications reserves
Salvo modificaciones

