

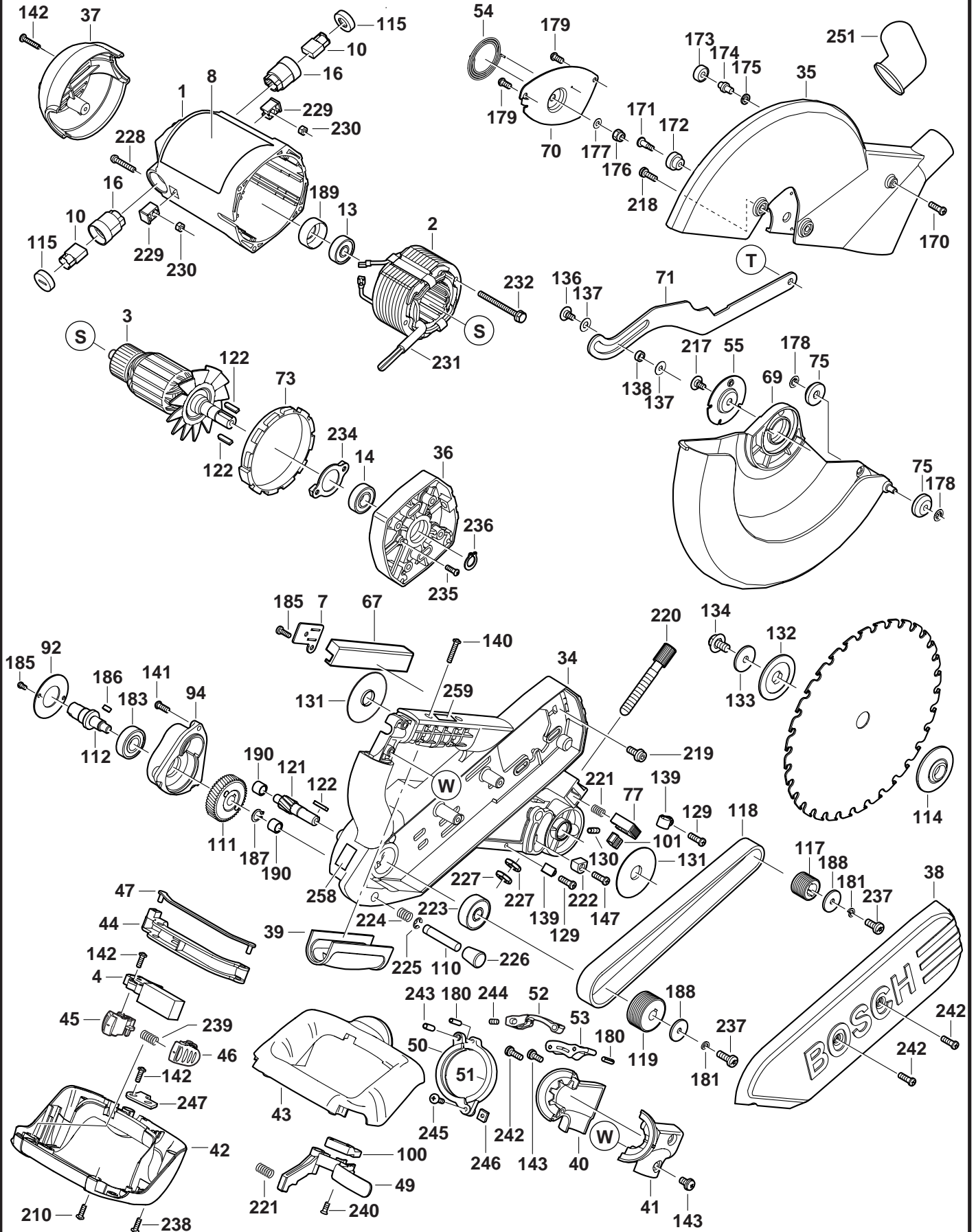
# BOSCH

January 2003  
INDUSTRIAL

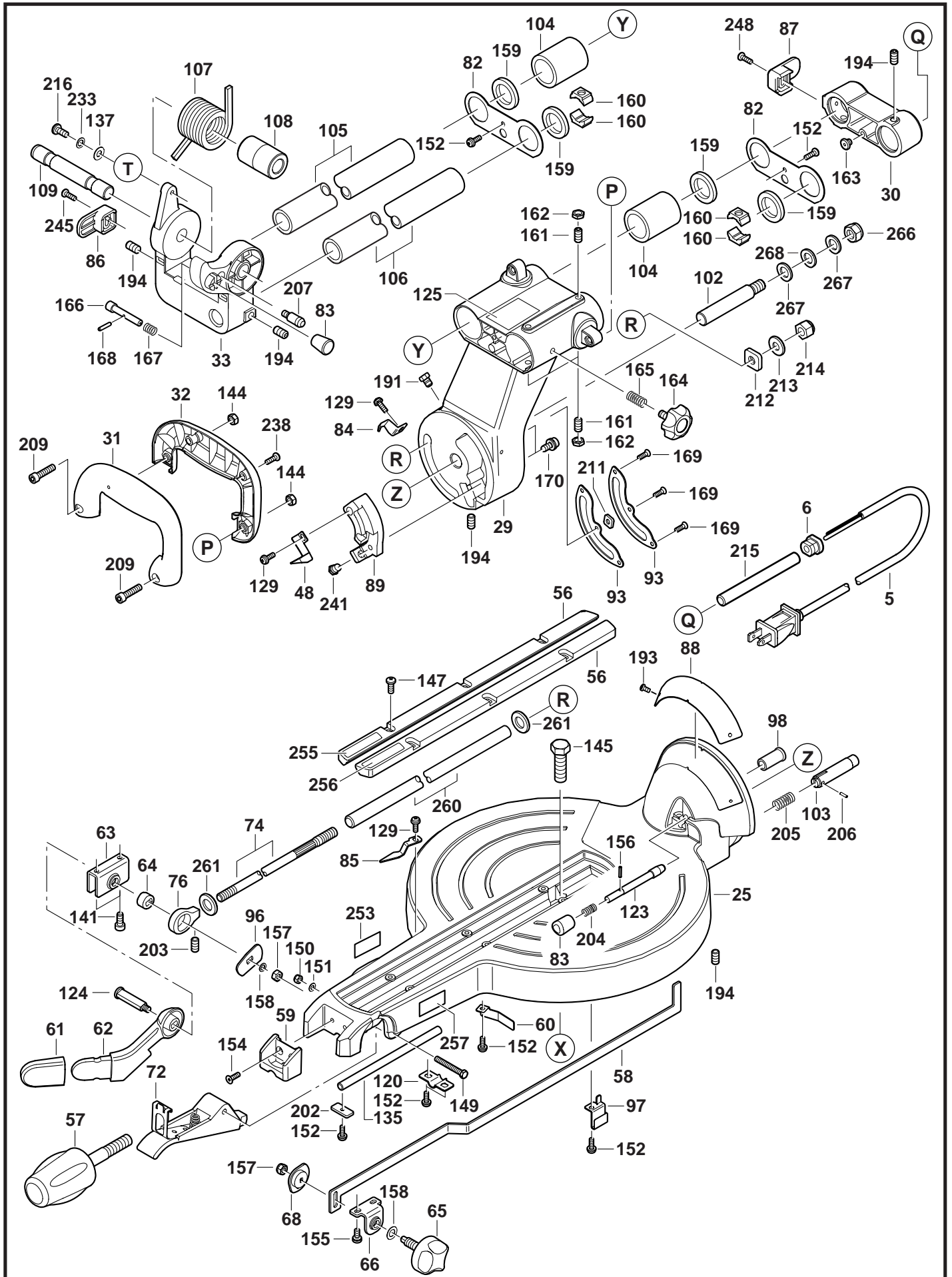
## 12" SLIDE MITER SAW

### Model 0601665039

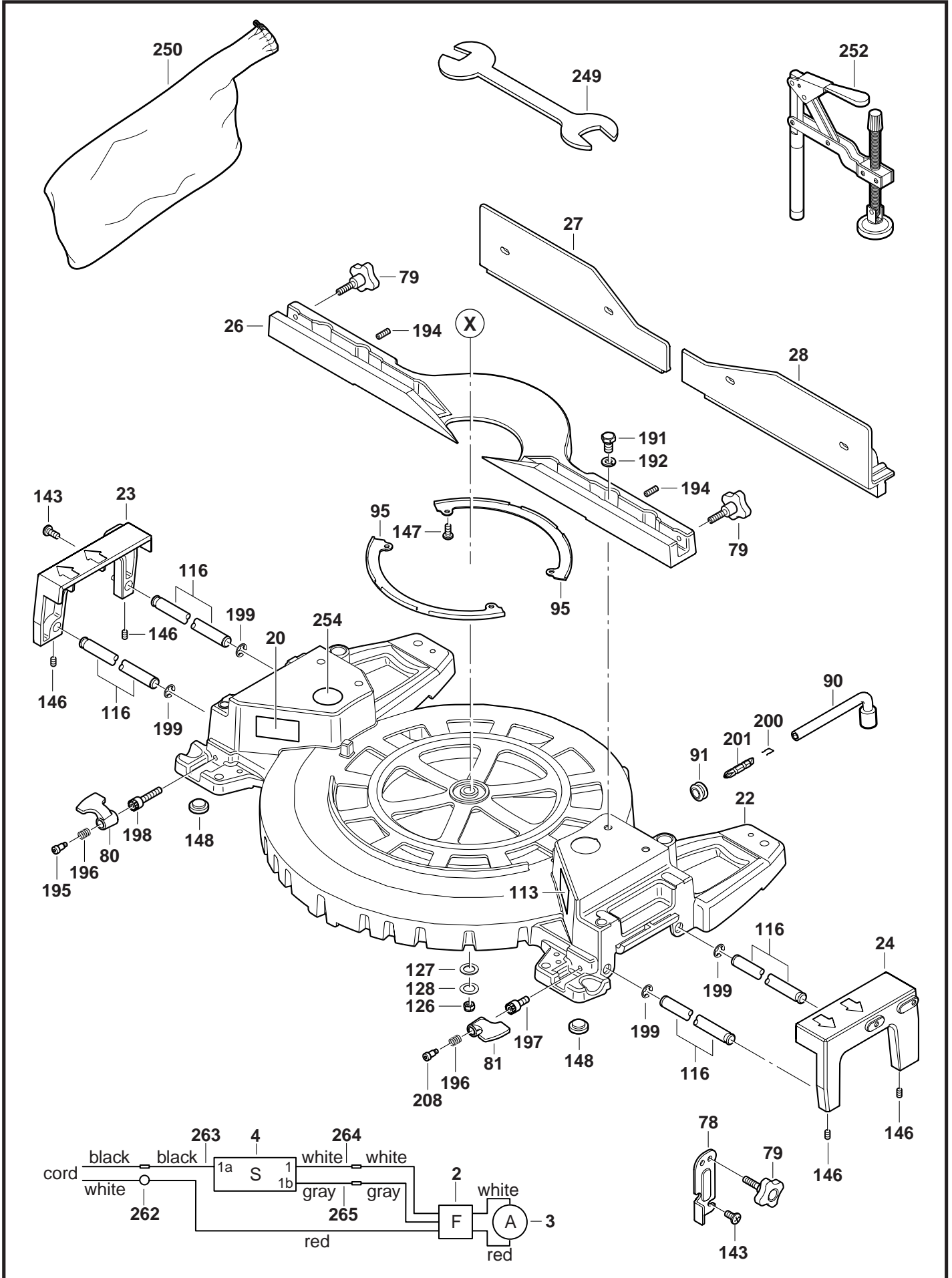
# 4412



# 4412 12" SLIDE MITER SAW



# 4412 12" SLIDE MITER SAW



# 4412 12" SLIDE MITER SAW

Pos.	Part Number	Description {Qty.}	Pos.	Part Number	Description {Qty.}
1	2 610 915 750	Motor Housing	66	2 610 915 715	Bracket
2	2 610 915 751	Field 115V	67	2 610 915 716	Insulator
3	2 610 915 752	Armature w/Fan 115V	68	2 610 915 717	Bracket
4	2 610 915 753	Switch	69	2 610 915 718	Lower Guard
5	2 610 915 754	Cord	70	2 610 915 719	Plate
6	2 610 915 755	Strain Relief	71	2 610 915 720	Linkage
7	2 610 915 749	Cord Clamp	72	2 610 911 936	Lever
8	2 610 915 757	Nameplate	73	2 610 915 722	Baffle
10	2 610 915 758	Brush Set	74	2 610 915 723	Rod
13	2 610 911 928	Ball Bearing	75	2 610 915 724	Roller {2}
14	2 610 911 927	Ball Bearing	76	2 610 915 725	Guide
16	2 610 915 761	Brush Holder {2}	77	2 610 915 726	Button
20	2 610 915 762	Label	78	2 610 915 686	Plate
22	2 610 915 763	Base	79	2 610 915 687	Knob {3}
23	2 610 915 764	Extension	80	2 610 915 688	Lever
24	2 610 915 765	Extension	81	2 610 915 689	Lever
25	2 610 915 766	Table	82	2 610 915 690	Plate {2}
26	2 610 915 767	Fence	83	2 610 915 691	Cap {2}
27	2 610 915 768	Fence	84	2 610 915 692	Pointer
28	2 610 915 769	Fence	85	2 610 915 693	Pointer
29	2 610 915 770	Housing	86	2 610 915 694	Clip
30	2 610 915 771	End Cap	87	2 610 915 695	Clip
31	2 610 915 772	Handle	88	2 610 915 696	Scale
32	2 610 915 727	Handle	89	2 610 915 697	Block
33	2 610 915 728	Bracket	90	2 610 915 698	Wrench
34	2 610 915 729	Housing	91	2 610 915 699	Rubber Bushing
35	2 610 915 730	Upper Guard	92	2 610 915 700	Bearing Plate
36	2 610 915 731	Mounting Plate	93	2 610 915 701	Plate {2}
37	2 610 915 732	End Cap	94	2 610 915 702	Gear Housing Cover
38	2 610 915 733	Belt Cover	95	2 610 911 863	Ring {2}
39	2 610 915 734	Cover	96	2 610 916 458	Plate
40	2 610 915 735	Housing	97	2 610 916 459	Bracket
41	2 610 915 736	Housing	98	2 610 916 460	Bushing
42	2 610 915 737	Handle	100	2 610 916 462	Pin
43	2 610 915 738	Handle	101	2 610 916 463	Block
44	2 610 915 739	Lever	102	2 610 915 756	Shaft
45	2 610 915 740	Button	103	2 610 915 759	Rod
46	2 610 915 741	Button	104	2 610 915 760	Bearing
47	2 610 915 742	Link	105	2 610 916 792	Rail
48	2 610 915 743	Pointer	106	2 610 916 793	Rail
49	2 610 915 744	Lever	107	2 610 916 794	Spring
50	2 610 915 745	Collar	108	2 610 916 795	Sleeve
51	2 610 915 746	Collar	109	2 610 916 796	Shaft
52	2 610 915 747	Latch	110	2 610 916 797	Lock Pin
53	2 610 915 748	Latch	111	2 610 916 798	Gear
54	2 610 911 853	Spring	112	2 610 916 799	Shaft
55	2 610 915 704	Plate	113	2 610 916 800	Label
56	2 610 915 705	Insert {2}	114	2 610 916 801	Washer
57	2 610 915 706	Knob	115	2 610 916 802	Brush Cap {2}
58	2 610 915 707	Linkage	116	2 610 916 803	Rod {4}
59	2 610 915 708	Block	117	2 610 916 804	Pulley
60	2 610 915 709	Plate	118	2 610 916 805	Belt
61	2 610 915 710	Cap	119	2 610 916 806	Pulley
62	2 610 915 711	Lever	120	2 610 916 807	Guide
63	2 610 915 712	Bracket	121	2 610 916 808	Shaft
64	2 610 915 713	Cam	122	2 610 916 809	Key {3}
65	2 610 915 714	Knob	123	2 610 916 810	Pin

# 4412 12" SLIDE MITER SAW

Pos.	Part Number	Description {Qty.}	Pos.	Part Number	Description {Qty.}
124	2 610 916 811	Shaft	183	2 610 327 846	Ball Bearing
125	2 610 916 812	Label	185	2 610 317 505	Screw {4}
126	2 610 911 886	Nut	186	2 610 993 102	Key
127	2 610 911 887	Washer	187	2 610 358 916	Retaining Ring
128	2 610 911 868	Spring Washer	188	2 610 029 674	Washer {2}
129	2 610 911 907	Screw {5}	189	2 610 911 925	Bushing
130	2 610 911 908	Set Screw {2}	190	2 610 358 922	Needle Bearing {2}
131	2 610 911 937	Shim {2}	191	2 610 906 037	Bolt {5}
132	2 610 911 909	Collar	192	2 610 906 041	Spring Washer {4}
133	2 610 911 870	Washer	193	2 610 913 862	Screw {2}
134	2 610 911 871	Bolt	194	2 610 910 786	Set Screw {8}
135	2 610 917 669	Rod	195	2 610 919 060	Screw
136	2 610 911 598	Screw	196	2 610 919 061	Spring {2}
137	2 610 911 599	Washer {3}	197	2 610 919 062	Screw
138	2 610 911 850	Spacer	198	2 610 919 063	Screw
139	2 610 911 872	Clamp {2}	199	2 610 912 556	Retaining Ring {4}
140	2 610 911 458	Screw {2}	200	2 610 919 064	Clip
141	2 610 998 572	Screw {5}	201	2 610 919 065	Bit
142	2 610 318 846	Screw {6}	202	2 610 919 066	Plate
143	2 615 297 323	Screw {6}	203	2 610 355 295	Screw
144	2 610 911 896	Nut {2}	204	2 610 919 067	Spring
145	2 610 911 861	Bolt	205	2 610 919 068	Spring
146	2 610 356 437	Screw {4}	206	2 610 919 069	Pin
147	2 610 911 899	Screw {11}	207	2 610 911 873	Screw
148	2 610 358 846	Foot {4}	208	2 610 919 070	Screw
149	2 610 911 918	Bolt	209	2 610 919 071	Screw {2}
150	2 610 911 901	Nut	210	2 610 320 304	Screw {3}
151	2 610 347 092	Washer	211	2 610 919 072	Pad
152	2 610 911 897	Screw {7}	212	2 610 919 073	Pad
154	2 610 911 900	Screw {2}	213	2 610 912 587	Washer
155	2 610 910 784	Screw {2}	214	2 615 297 331	Nut
156	2 610 997 274	Pin	215	2 610 919 074	Tube
157	2 610 355 332	Nut {2}	216	2 610 919 075	Screw
158	2 610 358 801	Washer {2}	217	2 610 919 076	Screw
159	2 610 911 589	Washer {4}	218	2 610 327 867	Screw {2}
160	2 610 919 102	Block {4}	219	2 610 998 575	Screw {4}
161	2 610 911 914	Set Screw {4}	220	2 610 911 580	Screw
162	2 610 328 618	Nut {4}	221	2 610 919 077	Spring {2}
163	2 610 911 584	Bumper {2}	222	2 610 919 078	Pad
164	2 610 911 583	Knob	223	2 610 919 079	Ball Bearing
165	2 610 911 582	Spring	224	2 610 919 080	Spring
166	2 610 911 575	Pin	225	2 610 358 869	Retaining Ring
167	2 610 911 576	Spring	226	2 610 919 081	Cap
168	2 610 911 577	Pin	227	2 610 328 600	Nut {2}
169	2 610 358 848	Screw {3}	228	2 610 358 928	Screw {4}
170	2 610 327 859	Screw {3}	229	2 610 911 569	Nut Retainer {2}
171	2 610 911 911	Screw	230	2 610 327 868	Nut {2}
172	2 610 911 921	Sleeve	231	2 610 919 082	Tube
173	2 610 911 938	Ball Bearing	232	2 610 911 929	Screw {2}
174	2 610 911 883	Screw	233	2 610 911 450	Washer
175	2 610 911 906	Washer	234	2 610 911 566	Retainer
176	2 610 911 570	Nut	235	2 610 318 812	Screw {2}
177	2 610 029 234	Washer	236	2 610 919 083	Retaining Ring
178	2 610 990 521	Ring {2}	237	2 610 919 084	Screw {2}
179	2 610 004 925	Screw {2}	238	2 610 320 330	Screw {4}
180	2 610 358 812	Pin {2}	239	2 610 919 085	Spring
181	2 610 355 325	Washer {2}	240	2 610 915 162	Screw {2}

# 4412 12" SLIDE MITER SAW

Pos.	Part Number	Description {Qty.}	Pos.	Part Number	Description {Qty.}
241	2 610 351 178	Screw	255	2 610 917 099	Label
242	2 610 914 401	Screw {4}	256	2 610 917 096	Label
243	2 610 919 086	Pin	257	2 610 917 101	Label
244	2 610 919 087	Set Screw {2}	258	2 610 917 100	Label
245	2 610 358 519	Screw {2}	259	2 610 917 097	Label
246	2 610 358 521	Nut	260	2 610 919 090	Tube
247	2 610 916 061	Plate	261	2 610 308 959	Washer {2}
248	2 610 913 100	Screw	262	2 610 911 933	Connector
249	2 610 917 658	Wrench	263	2 610 919 091	Cable
250	2 610 917 670	Dust Bag	264	2 610 919 092	Cable
251	2 610 919 088	Elbow	265	2 610 919 093	Cable
252	2 610 919 089	Clamp	266	2 610 910 791	Nut
253	2 610 917 098	Label	267	2 610 910 792	Washer {2}
254	2 610 911 658	Label {2}	268	2 610 068 894	Washer

**Service Notes:**