

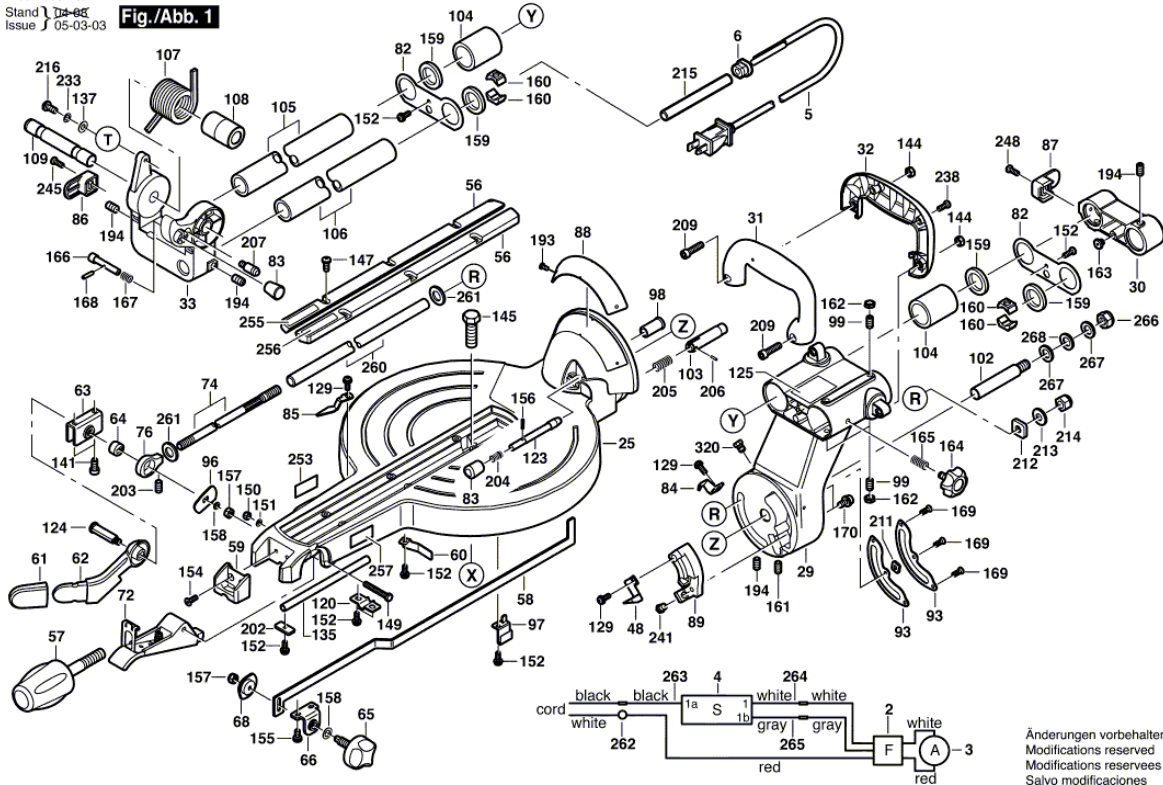


0 601 665 239 CIRCULAR SAW 5412L

24.10.2005
22:39:29

0 601 665 239
Stand 1 05-03-03
Issue J 05-03-03

Fig./Abb. 1



Änderungen vorbehalten
Modifications reserved
Modifications reserves
Salvo modificaciones

Item	Quantity	Order No.	Designation	Price group	Page
1	1	2 610 915 750	MOTOR HOUSING	34	3
2	1	2 610 915 751	STATOR	35	1
3	1	2 610 915 752	ARMATURE \ 115V	44	1
4	1	2 610 915 753	SWITCH SET	31	1
5	1	2 610 915 754	CORD	31	1
6	1	2 610 915 755	CORD GUARD	10	1
7	1	2 610 915 749	CLAMPING PLATE	10	3
8	1	2 610 924 733	NAMEPLATE	12	3
10	1	2 610 915 758	CARBON-BRUSH SET	19	3
13	1	2 610 911 928	BALL BEARING	23	3
14	1	2 610 911 927	BALL BEARING	31	3
16	2	2 610 915 761	BRUSH HOLDER	14	3
20	1	2 610 915 762	WARNING LABEL	12	2
22	1	2 610 915 763	BASE	47	2
23	1	2 610 915 764	EXTENSION STAND	32	2
24	1	2 610 915 765	EXTENSION STAND	32	2
25	1	2 610 915 766	TABLE	46	1
26	1	2 610 915 767	MITRE FENCE	38	2
27	1	2 610 915 768	PARALLEL-GUIDE	29	2
28	1	2 610 915 769	PARALLEL-GUIDE	29	2
29	1	2 610 915 770	BEARING PEDESTAL	41	1
30	1	2 610 915 771	SUPPORT	21	1
31	1	2 610 915 772	HANDLE	21	1
32	1	2 610 915 727	HANDLE	21	1
33	1	2 610 915 728	BEARING PEDESTAL	34	1
34	1	2 610 915 729	GEAR HOUSING	41	3
35	1	2 610 915 730	GUARD PROFILE	36	3
36	1	2 610 915 731	INTERMEDIATE LAYER	29	3
37	1	2 610 915 732	HOUSING COVER	18	3
38	1	2 610 915 733	HOUSING COVER	19	3
39	1	2 610 915 734	HANDLE COVER	22	3
40	1	2 610 915 735	BEARING PEDESTAL	20	3
41	1	2 610 915 736	BEARING PEDESTAL	20	3
42	1	2 610 915 737	BEARING PEDESTAL	23	3
43	1	2 610 915 738	BEARING PEDESTAL	23	3
44	1	2 610 915 739	TRIGGER	13	3
45	1	2 610 915 740	BUTTON	13	3
46	1	2 610 915 741	BUTTON	13	3
47	1	2 610 915 742	LINK	12	3
48	1	2 610 915 743	POINTER	10	1
49	1	2 610 915 744	RELEASE LEVER	17	3
50	1	2 610 915 745	CLAMP COLLAR	15	3
51	1	2 610 915 746	CLAMP COLLAR	15	3
52	1	2 610 915 747	LATCH	13	3
53	1	2 610 915 748	LATCH	13	3
54	1	2 610 911 853	TORSION SPRING	16	3
55	1	2 610 915 704	PLATE	13	3
56	2	2 610 915 705	PLASTIC INSERT	14	1
57	1	2 610 915 706	EMPUNADURA	22	1
58	1	2 610 915 707	LINKAGE	15	1
59	1	2 610 915 708	HOLDING FIXTURE	15	1

60	1	2 610 915 709	LEAF SPRING	10	1
61	1	2 610 915 710	COVER	14	1
62	1	2 610 915 711	LEVER	19	1
63	1	2 610 915 712	BRACKET	11	1
64	1	2 610 915 713	CAM	10	1
65	1	2 610 915 714	KNOB	15	1
66	1	2 610 915 715	BRACKET	10	1
67	1	2 610 915 716	INSULATOR	11	3
68	1	2 610 915 717	BRACKET	11	1
69	1	2 610 927 694	WHEEL GUARD	26	3
70	1	2 610 915 719	PLATE	14	3
71	1	2 610 915 720	LINKAGE	15	3
72	1	2 610 911 936	LOCKING LEVER	24	1
73	1	2 610 915 722	BAFFLE	11	3
74	1	2 610 915 723	TENSION ROD	18	1
75	2	2 610 915 724	ROLLER	10	3
76	1	2 610 915 725	CAM RING	20	1
77	1	2 610 915 726	BUTTON	10	3
78	1	2 610 915 686	STOP PLATE	10	2
79	3	2 610 915 687	KNOB	15	2
80	1	2 610 915 688	LOCKING LEVER	16	2
81	1	2 610 915 689	LOCKING LEVER	16	2
82	2	2 610 915 690	RETAINING PLATE	10	1
83	2	2 610 915 691	COVER	10	1
84	1	2 610 915 692	POINTER	10	1
85	1	2 610 915 693	POINTER	10	1
86	1	2 610 915 694	CABLE CRAMP	17	1
87	1	2 610 915 695	HOLDER	17	1
88	1	2 610 915 696	SCALE	10	1
89	1	2 610 915 697	CABLE CRAMP	21	1
90	1	2 610 915 698	WRENCH SOCKET	16	2
91	1	2 610 915 699	RUBBER BUSHING	16	2
92	1	2 610 915 700	BEARING COVER PLATE	10	3
93	1	2 610 915 701	RETAINING PLATE	12	1
94	1	2 610 915 702	GEAR COVER	23	3
95	2	2 610 911 863	SLIDING PLATE	19	2
96	1	2 610 916 458	STOP PLATE	10	1
97	1	2 610 916 459	GUIDE BRACKET	10	1
98	1	2 610 916 460	BUSHING	11	1
99	4	2 610 921 843	SCREW	14	1
100	1	2 610 916 462	DETENT PIN	11	3
101	1	2 610 916 463	BLOCK	11	3
102	1	2 610 915 756	SHAFT	14	1
103	1	2 610 915 759	DETENT PIN	15	1
104	2	2 610 915 760	SLIDING BEARING	37	1
105	1	2 610 916 792	SLIDING RAIL	37	1
106	1	2 610 916 793	SLIDING RAIL	36	1
107	1	2 610 916 794	TORSION SPRING	20	1
108	1	2 610 916 795	SLEEVE	10	1
109	1	2 610 916 796	SHAFT	13	1
110	1	2 610 916 797	LOCKING PIN	10	3
111	1	2 610 916 798	HELICAL GEAR	24	3

112	1	2 610 935 017	SPINDLE		3
113	1	2 610 916 800	STICKER	12	2
114	1	2 610 916 801	INNER DISC	18	3
115	2	2 610 916 802	BRUSH-COVER	10	3
116	4	2 610 916 803	EXTENSION SHAFT	15	2
117	1	2 610 916 804	DRIVING PULLEY	16	3
118	1	2 610 916 805	WIDE V-BELT	29	3
119	1	2 610 916 806	PULLEY	20	3
120	1	2 610 916 807	GUIDE PLATE	10	1
121	1	2 610 916 808	SHAFT	24	3
122	3	2 610 916 809	KEY	10	3
123	1	2 610 916 810	DETENT PIN	12	1
124	1	2 610 916 811	LEVER SHAFT	15	1
125	1	2 610 916 812	STICKER	12	1
126	1	2 610 911 886	LOCK NUT	11	2
127	1	2 610 911 887	PLAIN WASHER	11	2
128	1	2 610 911 868	SPRING WASHER	11	2
129	5	2 610 911 907	SCREW AND WASHER ASSEMBLY	10	1
130	2	2 610 911 908	ADJUSTING SCREW	13	3
131	2	2 610 911 937	SHIM	17	3
132	1	2 610 911 909	FLANGE	23	3
134	1	2 610 924 286	BOLT	12	3
135	1	2 610 917 669	TENSION ROD	11	1
136	1	2 610 911 598	SHOULDER SCREW	11	3
137	3	2 610 911 599	PLAIN WASHER	10	1
138	1	2 610 911 850	SPACER	11	3
139	2	2 610 911 872	CLAMP	11	3
140	2	2 610 911 458	SCREW	10	3
141	2	2 610 998 572	SCREW	10	1
142	6	2 610 318 846	SCREW	12	3
143	6	2 615 297 323	SCREW	10	2
144	2	2 610 911 896	NUT	10	1
145	1	2 610 911 861	HEXAGON SCREW	15	1
146	4	2 610 356 437	ADJUSTING SCREW	10	2
147	11	2 610 911 899	SCREW	11	1
148	4	2 610 358 846	RUBBER BUSHING	11	2
149	1	2 610 911 918	SCREW	14	1
150	1	2 610 911 901	LOCK NUT	12	1
151	1	2 610 347 092	PLAIN WASHER	10	1
152	7	2 610 911 897	SCREW	10	1
154	2	2 610 911 900	SCREW	10	1
155	2	2 610 910 784	SCREW	10	1
156	1	2 610 997 274	Pin	10	1
157	2	2 610 355 332	SQUARE NUT	11	1
158	2	2 610 358 801	WASHER	11	1
159	4	2 610 911 589	SEAL	22	1
160	4	2 610 919 102	CLAMPING BLOCK	10	1
161	4	2 610 911 914	ADJUSTING SCREW	14	1
162	4	2 610 328 618	NUT	10	1
163	2	2 610 911 584	RUBBER PAD	11	1
164	1	2 610 911 583	KNOB	21	1
165	1	2 610 911 582	SPRING	11	1

166	1	2 610 911 575	DETENT PIN	14	1
167	1	2 610 911 576	COMPRESSION SPRING	11	1
168	1	2 610 911 577	RETAINING PIN	10	1
169	3	2 610 358 848	SCREW	10	1
170	3	2 610 327 859	SCREW	10	1
171	1	2 610 911 911	SHOULDER SCREW	10	3
172	1	2 610 911 921	ROUND RUBBER	11	3
173	1	2 610 911 938	BALL BEARING	17	3
174	1	2 610 911 883	SHOULDER SCREW	14	3
175	1	2 610 911 906	WASHER	11	3
176	1	2 610 911 570	HEXAGON NUT	11	3
177	1	2 610 029 234	PLAIN WASHER	10	3
178	2	2 610 990 521	C-CLIP	10	3
179	2	2 610 004 925	SCREW	17	3
180	2	2 610 358 812	PIN	11	3
181	2	2 610 355 325	SPRING WASHER	10	3
183	1	2 610 327 846	BALL BEARING	21	3
185	4	2 610 317 505	SELF-TAPPING SCREW		3
186	1	2 610 993 102	KEY	11	3
187	1	2 610 997 281	C-CLIP	10	3
188	4	2 610 029 674	WASHER	10	3
189	1	2 610 911 925	RING	14	3
190	2	2 610 358 922	NEEDLE-ROLLER BEARING	24	3
191	4	2 610 355 277	SCREW	15	2
192	4	2 916 690 007	SPRING LOCK WASHER \ DIN 128-A8-FST	10	2
193	2	2 610 913 862	SCREW	11	1
194	4	2 610 910 786	ADJUSTING SCREW	10	1
195	1	2 610 919 060	SHOULDER SCREW	10	2
196	2	2 610 919 061	COMPRESSION SPRING	10	2
197	1	2 610 919 062	SCREW	13	2
198	1	2 610 919 063	SCREW	13	2
199	4	2 610 912 556	RETAINING RING	10	2
200	1	2 610 919 064	SPRING CLIP	10	2
201	1	2 610 919 065	SCREWDRIVER BIT	10	2
202	1	2 610 919 066	PLATE	10	1
203	1	2 610 355 295	SCREW	12	1
204	1	2 610 919 067	COMPRESSION SPRING	10	1
205	1	2 610 919 068	COMPRESSION SPRING	10	1
206	1	2 610 919 069	HOLDING PIN	10	1
207	1	2 610 911 873	SCREW	14	1
208	1	2 610 919 070	SHOULDER SCREW	10	2
209	2	2 610 919 071	STOP SCREW	10	1
210	3	2 610 320 304	SCREW		3
211	1	2 610 919 072	BRAKE PLATE	10	1
212	1	2 610 919 073	BRAKE PLATE	17	1
213	1	2 610 912 587	SPRING WASHER	10	1
214	1	2 615 297 331	NUT	10	1
215	1	2 610 919 074	PVC TUBE	10	1
216	1	2 610 919 075	SHOULDER SCREW	10	1
217	1	2 610 919 076	SHOULDER SCREW	10	3
218	5	2 610 327 867	SCREW	10	3
219	4	2 610 998 575	SCREW	10	3

220	1	2 610 911 580	SCREW	16	3
221	2	2 610 919 077	COMPRESSION SPRING	10	3
222	1	2 610 919 078	PAD	10	3
223	1	2 610 919 079	BALL BEARING	22	3
224	1	2 610 919 080	SPRING	10	3
225	1	2 610 358 869	RETAINING RING	11	3
226	1	2 610 919 081	COVER	10	3
227	2	2 610 934 688	NUT		3
228	4	2 610 358 928	SCREW	11	3
229	2	2 610 911 569	INSERT	12	3
230	2	2 610 327 868	NUT	11	3
231	1	2 610 919 082	PVC TUBE	10	3
232	2	2 610 911 929	SCREW	11	3
233	1	2 610 911 450	WASHER	11	1
234	1	2 610 911 566	BEARING END PLATE	15	3
235	2	2 610 318 812	SCREW	10	3
236	1	2 610 919 083	RETAINING RING	10	3
237	2	2 610 919 084	SCREW	10	3
238	4	2 610 320 330	SCREW	10	1
239	1	2 610 919 085	COMPRESSION SPRING	10	3
240	2	2 610 915 162	SCREW	12	3
241	1	2 610 351 178	HEXAGON SCREW	10	1
242	4	2 610 914 401	SCREW	10	3
243	1	2 610 919 086	PIN	10	3
244	2	2 610 919 087	ADJUSTING SCREW	10	3
245	2	2 610 358 519	SCREW	10	1
246	1	2 610 358 521	HEXAGON NUT	10	3
247	1	2 610 916 061	STOP PLATE	13	3
248	1	2 610 913 100	SCREW	10	1
249	1	2 610 917 658	ADJUSTING WRENCH	20	2
250	1	2 610 917 670	DUST CONTAINER	25	2
251	1	2 610 919 088	SUCTION TUBE	17	3
252	1	2 610 919 089	CLAMPING FIXTURE	31	2
253	1	2 610 917 098	LABEL	10	1
254	2	2 610 911 658	WARNING PLATE	15	2
255	1	2 610 917 099	LABEL	10	1
256	1	2 610 917 096	LABEL	10	1
257	1	2 610 917 101	LABEL	10	1
259	1	2 610 917 097	LABEL	10	3
260	1	2 610 919 090	TUBE	23	1
261	2	2 610 308 959	WASHER	11	1
262	1	2 610 911 933	CABLE CLIP	11	1
263	1	2 610 919 091	CABLE	10	1
264	1	2 610 919 092	CABLE	10	1
265	1	2 610 919 093	CABLE	10	1
266	1	2 610 910 791	NUT	14	1
267	2	2 610 910 792	WASHER	10	1
268	1	2 610 068 894	PLAIN WASHER	10	1
317	1	2 610 923 939	LABEL	12	3
318	1	2 610 923 938	LABEL	12	3
319	1	2 610 924 679	LABEL	12	3
320	1	2 610 906 037	SCREW BOLT	12	1

651	1	2 610 924 646	LASER	38	3
-----	---	---------------	-------	----	---

0 601 665 239
Stand Issue } 04-08-24

Fig./Abb. 2

