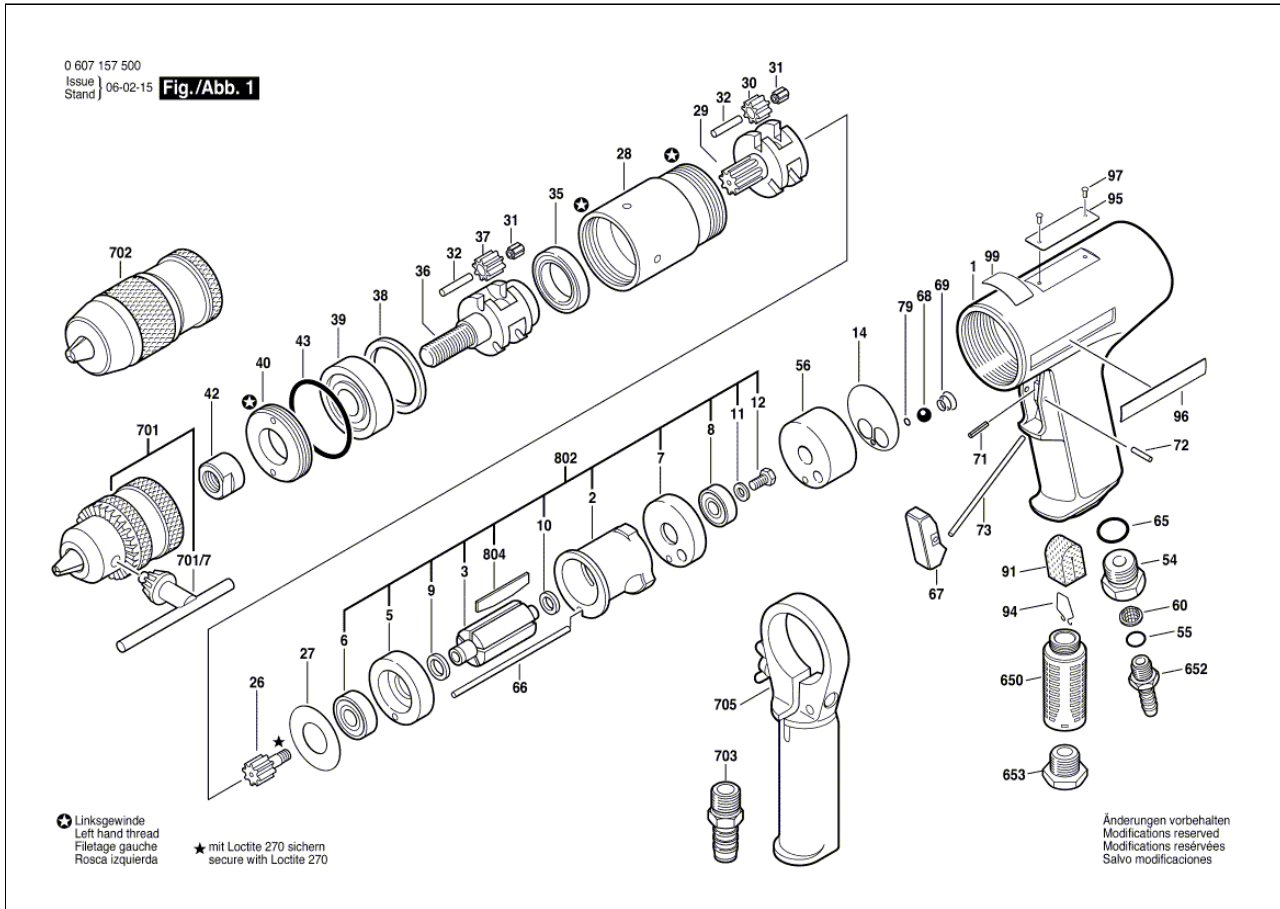


PN-DRILL - (INDUSTR.)
0 607 157 500 740 WATT-SERIE

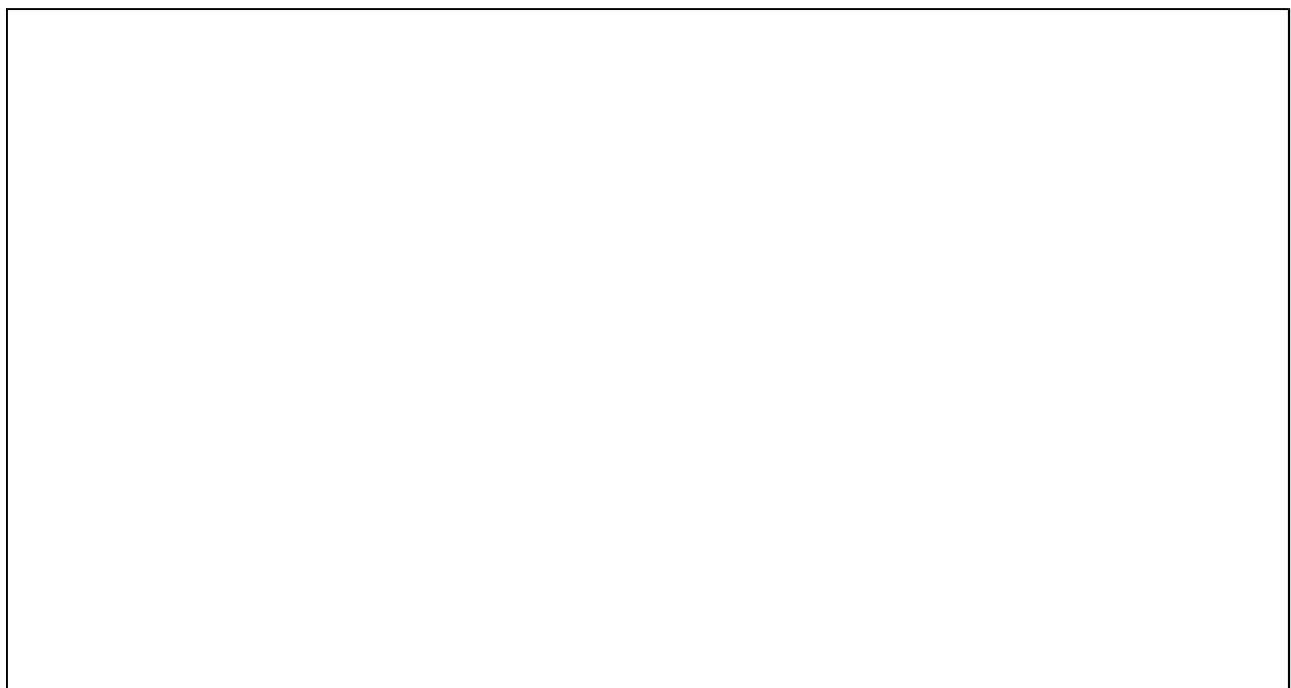


30.03.2009 21:48:35

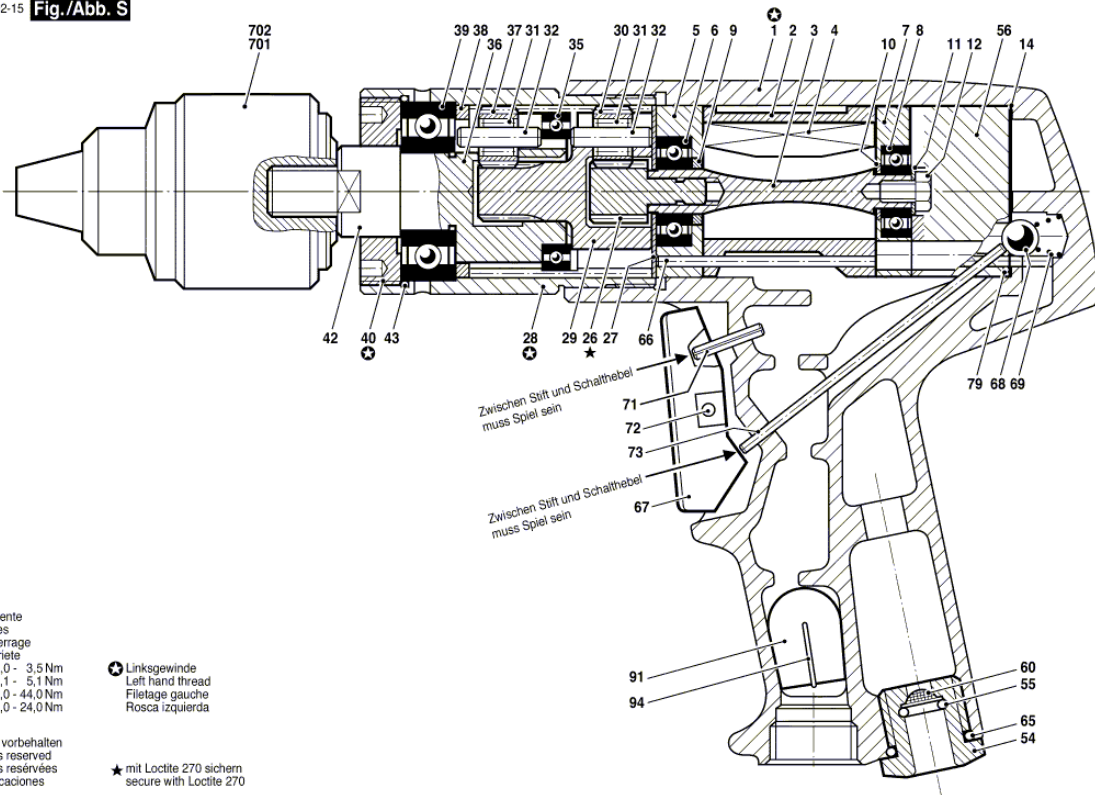


Item	Quantity	Order No.	Designation	Price group	Page
1	1	3 605 108 026	MOTOR HOUSING	0	1
2	1	3 604 090 022	STATOR / 740W	0	1
3	1	3 604 220 021	ROTOR	0	1
5	1	3 605 700 014	BEARING FLANGE	0	1
6	1	1 900 905 127	DEEP-GROOVE BALL BEARING / 6000-2Z/C3 DIN 625	0	1
7	1	3 605 700 012	BEARING FLANGE	0	1
8	1	1 900 905 029	DEEP-GROOVE BALL BEARING / DIN 625-608-2Z-C3	0	1
9	1	2 600 200 007	SPACER RING	0	1
10	1	3 600 202 004	SPACER RING	0	1
11	1	2 916 011 012	PLAIN WASHER / DIN 125-A5,3-ST	0	1
12	1	2 911 061 150	HEX SCREW / DIN 933-M5x8-8.8	0	1
14	1	3 600 031 000	SEALING PLATE	0	1
26	1	3 606 300 007	PINION / Z=8	0	1
27	1	3 600 101 004	STOP DISC	0	1
28	1	3 606 334 002	RING GEAR / Z=46	0	1
29	1	3 606 337 010	PLANETARY-GEAR CARRIER	0	1
30	3	3 606 316 004	CYLINDRICAL GEAR / Z=19	0	1
31	6	3 600 910 000	NEEDLE-ROLLER ASSEMBLY	0	1
32	6	3 603 201 005	NEEDLE ROLLER	0	1
35	1	3 600 905 001	DEEP-GROOVE BALL BEARING	0	1
36	1	3 606 337 012	PLANETARY-GEAR CARRIER	0	1

37	3	3 606 316 091	CYLINDRICAL GEAR / Z=16	0	1
38	1	3 600 101 005	STOP DISC	0	1
39	1	3 600 905 025	DEEP-GROOVE BALL BEARING / 62 DIN 625-2 RS	0	1
40	1	3 603 344 001	THREADED RING	0	1
42	1	3 600 390 004	THREADED SLEEVE	0	1
43	1	3 600 210 006	O-RING / 41x1,78 MM	0	1
54	1	3 603 458 008	FITTING	0	1
55	1	1 900 210 306	O-RING / 10x2 MM	0	1
56	1	3 605 190 137	VALVE INSERT	0	1
60	1	3 600 002 000	STRAINER	0	1
65	1	3 600 210 003	O-RING / 15,6x1,8 MM	0	1
66	1	3 604 710 007	STRAIGHT PIN	0	1
67	1	3 602 053 005	CONTROL LEVER	0	1
68	1	3 603 230 004	BALL / Ø 9 MM	0	1
69	1	3 604 616 002	COMPRESSION SPRING	0	1
71	1	2 917 601 059	STRAIGHT GROOVED PIN / 2,5x16 DIN 1473	0	1
72	1	2 917 610 083	STRAIGHT PIN / 3M6x24 DIN 7-C35K	0	1
73	1	3 604 710 003	STRAIGHT PIN	0	1
79	1	3 600 210 002	O-RING / 1,78x1,02 MM	0	1
91	1	3 601 010 001	SILENCER	0	1
94	1	3 601 250 003	HOLDING SPRING	0	1
95	1	3 601 100 001	NAMEPLATE / 26x42 MM	0	1
96	2	1 601 110 481	MANUFACTURER'S NAMEPLATE / SHADOW SIDE	0	1
97	2	3 603 133 000	GROOVED NAIL	0	1
99	1	3 601 119 236	REFERENCE PLATE	0	1
650	1	3 607 000 073	SILENCER	0	1
652	1	2 603 386 002	HOSE FITTING	0	1
653	1	3 603 462 000	SILENCER	0	1
701	1	1 608 571 022	KEY CHUCK / Ø 1,5-13 MM, 1/2"	0	1
701/7	1	2 607 950 007	CHUCK WRENCH / SG2	0	1
702	1	1 608 572 009	KEYLESS CHUCK / Ø 1,5-13MM	0	1
703	1	3 603 386 001	HOSE FITTING / Ø 8 MM	0	1
705	1	3 602 025 007	AUXILIARY HANDLE / Ø 48 MM	0	1
802	1	3 607 031 097	MOTOR SPARE PARTS SET	0	1
804	1	3 607 030 254	PARTS SET / 5 PIECE	0	1



0 607 157 500
 Issue | 06-02-15 **Fig./Abb. S**



Anzugsmomente
 Torque values
 Couple de serrage
 Pares de apriete
 Pos. 12 = 3,0 - 3,5 Nm
 26 = 4,1 - 5,1 Nm
 28 = 40,0 - 44,0 Nm
 54 = 20,0 - 24,0 Nm

⊗ Linksgewinde
 Left hand thread
 Filetage gauche
 Rosca izquierda

Änderungen vorbehalten
 Modifications reserved
 Modifications réservées
 Salvo modificaciones

★ mit Loctite 270 sichern
 secure with Loctite 270