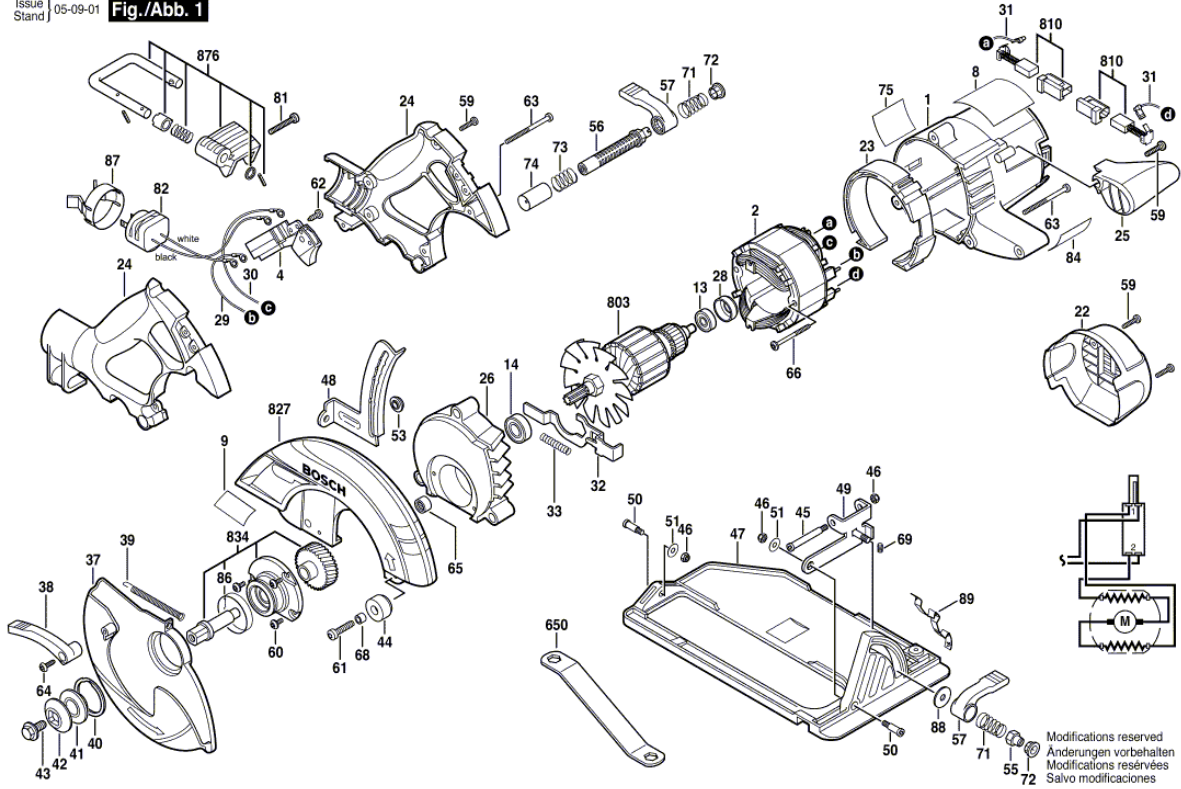




0 601 674 039 UN-HD PORT. CIRCULAR SAW CS20

24.10.2005
22:08:26

0 601 674 039
Issue | 05-09-01
Stand | **Fig./Abb. 1**



Modifications reserved
Änderungen vorbehalten
Modifications réservées
Salvo modificaciones

Item	Quantity	Order No.	Designation	Price group	Page
1	1	2 610 917 049	MOTOR HOUSING \ BLUE	20	1
2	1	2 610 350 741	FIELD \ 110V	31	1
4	1	2 610 919 466	ON-OFF SWITCH	19	1
8	1	2 610 919 561	NAMEPLATE	12	1
9	1	2 610 920 293	LABEL	12	1
13	1	2 610 017 348	DEEP-GROOVE BALL BEARING	19	1
14	1	2 610 350 311	DEEP-GROOVE BALL BEARING	24	1
16	2	2 610 916 004	BRUSH HOLDER	12	0
22	1	2 610 917 052	HOUSING COVER \ BLACK	12	1
23	1	2 610 917 050	BAFFLE	11	1
24	1	2 610 917 058	HANDLE	24	1
25	1	2 610 924 143	AUXILIARY HANDLE \ BLACK	13	1
26	1	2 610 917 826	GEAR HOUSING	31	1
28	1	2 610 326 023	BUSHING	12	1
29	1	2 610 038 934	CONNECTING CABLE	13	1
30	1	2 610 038 935	CABLE	13	1
31	2	2 610 918 148	CABLE	11	1
32	1	2 610 917 064	LOCKING LEVER	12	1
33	1	2 610 918 150	SPRING	10	1
37	1	2 610 923 352	PIVOTING BLADE GUARD	25	1
38	1	2 610 917 405	LEVER	10	1
39	1	2 610 929 391	SPRING		1
40	1	2 610 921 144	RETAINING RING	10	1
41	1	2 610 919 164	INNER RING	13	1
42	1	2 610 355 550	FLANGE	15	1
43	1	2 610 346 554	HEXAGON SCREW	14	1
44	1	2 610 918 151	RUBBER BUSHING	10	1
45	1	2 610 917 400	SCREW	10	1
46	3	2 610 904 165	LOCK NUT	10	1
47	1	2 610 917 059	BASE	35	1
48	1	2 610 917 189	BRACKET	17	1
49	1	2 610 923 551	BRACKET	13	1
50	2	2 610 917 399	SCREW	10	1
51	2	2 610 917 048	WASHER	10	1
53	1	2 610 919 165	WASHER	10	1
55	1	2 610 917 206	NUT	10	1
56	1	2 610 917 191	ROD	10	1
57	2	2 610 924 368	LEVER	10	1
59	8	2 610 341 364	SELF-TAPPING SCREW	12	1
60	3	2 610 341 365	SCREW	12	1
61	1	2 610 920 385	SCREW	10	1
62	1	2 610 346 204	SCREW	17	1
63	3	2 610 968 438	HEADLESS SCREW	11	1
64	1	2 610 328 924	SCREW	14	1
65	1	2 610 020 639	NEEDLE BUSHING	13	1
66	2	2 610 352 806	PIN	10	1
68	1	2 610 918 985	TUBE	10	1
69	1	2 610 911 889	SCREW	11	1
71	2	2 610 919 166	SPRING	10	1
72	2	2 610 918 145	COVER	10	1
73	1	2 610 919 467	SPRING	10	1

74	1	2 610 919 327	SLEEVE	10	1
75	1	2 610 919 562	LABEL	12	1
81	2	2 610 312 548	SCREW	10	1
82	1	2 610 918 154	PLUG	15	1
84	1	2 610 918 924	LABEL	12	1
86	1	2 610 920 799	SLEEVE	10	1
87	1	2 610 920 384	SNAP RING	15	1
88	1	2 610 351 293	WASHER	10	1
89	1	2 610 921 770	SPRING	10	1
650	1	2 610 000 266	SCREWDRIVER	21	1
803	1	2 610 920 045	ARMATURE \ 110V	39	1
810	1	2 610 920 046	CARBON-BRUSH SET	18	1
827	1	2 610 920 047	UPPER HOUSING	33	1
834	1	2 610 920 048	GEAR UNIT	30	1
876	1	2 610 923 565	HOOK	22	1