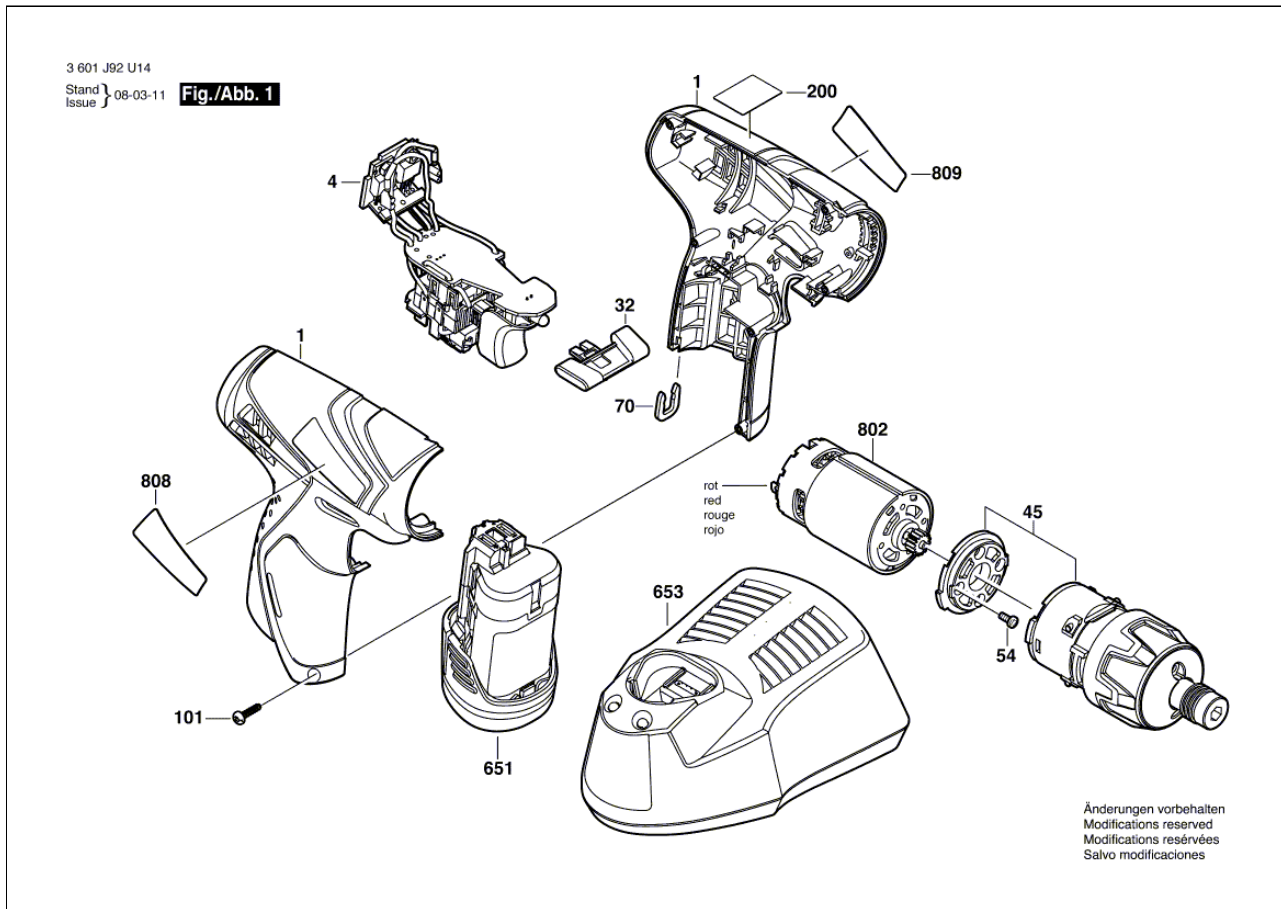


CORDLESS SCREW DRIVER
3 601 J92 U14 PS 20



02.03.2009 16:51:44



| Item | Quantity | Order No. | Designation | Price group | Page |
|------|----------|---------------|---|-------------|------|
| 1 | 1 | 2 609 100 564 | HOUSING / BLUE | 0 | 1 |
| 4 | 1 | 1 607 233 311 | ELECTRONIC ASSEMBLY | 0 | 1 |
| 32 | 1 | 2 601 099 153 | ADJUSTING SLIDE / RED | 0 | 1 |
| 45 | 1 | 2 606 200 229 | EPICYCLOIDAL GEAR TRAIN | 0 | 1 |
| 54 | 2 | 2 603 414 048 | TORX SH CAP SCREW / M3x5-8.8-Z | 0 | 1 |
| 70 | 1 | 2 609 110 537 | CLIP | 0 | 1 |
| 101 | 7 | 2 603 415 206 | TORX OVAL-HEAD SCREW | 0 | 1 |
| 200 | 1 | 2 601 115 245 | WARNING PLATE / USA | 0 | 1 |
| 651 | 1 | 2 607 336 015 | SLIDE-IN ACCU PACKAGE / BBS Compact 10,8/12V, LI-ION, 1,3Ah | 0 | 1 |
| 653 | 1 | 2 607 225 139 | FAST CHARGER / USA/CAN 120/10,8-12V/30 MIN. | 0 | 1 |
| 802 | 1 | 2 607 022 838 | DC MOTOR / 10,8V | 0 | 1 |
| 808 | 1 | 2 609 131 776 | NAMEPLATE | 0 | 1 |
| 809 | 1 | 2 609 132 009 | MANUFACTURER'S NAMEPLATE / PS 20 | 0 | 1 |