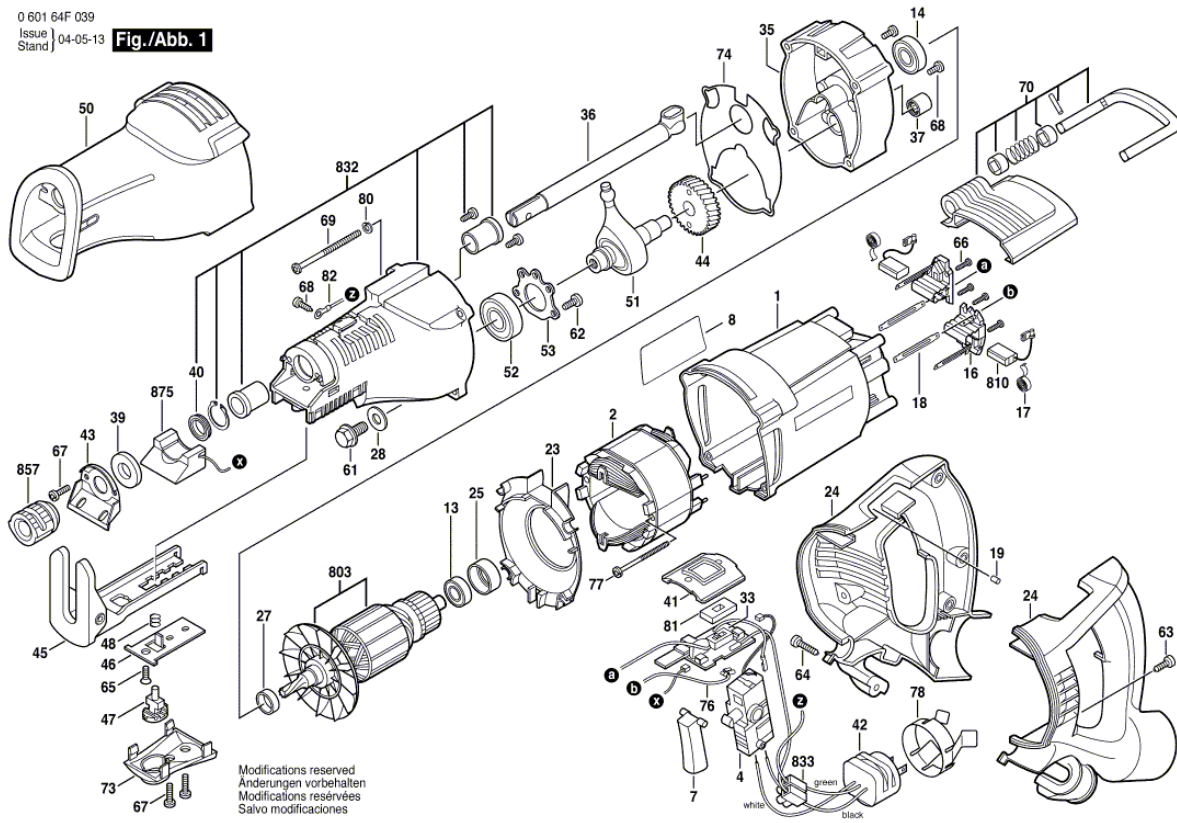




# 0 601 64F 063 RECIPROCATING SAW RS 20

24.10.2005  
22:23:16

0 601 64F 039  
Issue | 04-05-13  
Stand | **Fig./Abb. 1**



Item	Quantity	Order No.	Designation	Price group	Page
1	1	2 610 918 050	MOTOR HOUSING	19	1
2	1	1 604 220 368	FIELD \ 120V	27	1
4	1	2 610 917 224	ON-OFF SWITCH	22	1
7	1	2 610 919 120	TRIGGER	11	1
13	1	1 619 P01 511	DEEP-GROOVE BALL BEARING		1
14	1	1 900 905 161	DEEP-GROOVE BALL BEARING \ 6001-2RS DIN 625	21	1
16	2	2 610 913 034	BRUSH HOLDER	12	1
17	2	3 604 652 500	SPIRAL SPRING	10	1
18	2	1 604 477 005	BLADE TERMINAL	11	1
19	1	2 610 350 103	RUBBER BUFFER	11	1
23	1	2 610 919 119	BAFFLE	11	1
24	1	2 610 927 705	HANDLE	19	1
25	1	3 600 206 501	RUBBER BUSHING	13	1
27	1	2 610 918 033	SPACER	10	1
28	1	2 610 908 804	PROTECTIVE WASHER	13	1
33	1	2 610 919 118	PRINTED-BOARD ASSEMBLY	20	1
35	1	2 610 918 048	BEARING PLATE	24	1
36	1	2 610 917 060	SPINDLE ASSEMBLY	31	1
37	1	2 610 908 698	BEARING SHELL	20	1
39	1	2 610 030 004	FELT DISC	12	1
40	1	2 610 995 815	SHAFT SEALING RING	22	1
41	1	2 610 918 037	SLIDE BUTTON	10	1
42	1	2 610 924 026	RECEPTACLE	17	1
43	1	2 610 918 054	SEALING PLATE	10	1
44	1	2 610 917 659	TOOTHED GEAR	26	1
45	1	2 610 923 226	SUPPORTING FOOT	24	1
46	1	2 610 922 844	RETAINING PLATE	10	1
47	1	2 610 922 567	LOCKING PIECE	11	1
48	1	2 610 918 060	COMPRESSION SPRING	10	1
50	1	2 610 918 061	INSULATING SLEEVE	25	1
51	1	2 610 918 074	WOBBLE PLATE	38	1
52	1	2 610 015 361	DEEP-GROOVE BALL BEARING	28	1
53	1	2 610 918 045	RETAINING PLATE	10	1
61	1	2 610 918 051	FLANGE BOLT	10	1
62	5	2 610 300 880	SCREW		1
63	1	1 619 P01 505	SCREW		1
64	5	2 610 326 578	SCREW	14	1
65	1	2 610 918 063	SCREW	10	1
66	4	2 610 909 719	SCREW	11	1
68	5	2 610 907 504	SCREW	12	1
69	4	2 610 918 049	SCREW	10	1
70	1	2 610 918 077	HOOK	22	1
73	1	2 610 919 447	SUPPORT PLATE	10	1
74	1	2 610 918 038	SEALING PLATE	11	1
76	1	2 610 920 768	CABLE	18	1
77	1	1 619 P01 508	SCREW		1
78	1	2 610 921 156	SNAP RING	11	1
80	4	2 916 683 006	SPRING LOCK WASHER \ DIN 127-B 5	12	1
81	1	2 610 923 943	SEAL BUSHING	10	1
803	1	2 610 920 759	ARMATURE \ 115V	40	1
808	1	1 619 P01 408	NAMEPLATE		0

810	1	2 610 920 682	CARBON-BRUSH SET	18	1
832	1	2 610 920 683	GEAR HOUSING	31	1
833	1	2 610 910 009	CONNECTION BLOCK	10	1
857	1	2 610 920 684	BLADE HOLDER	27	1
875	1	2 610 924 263	LIGHT CONDUCTOR	19	1