

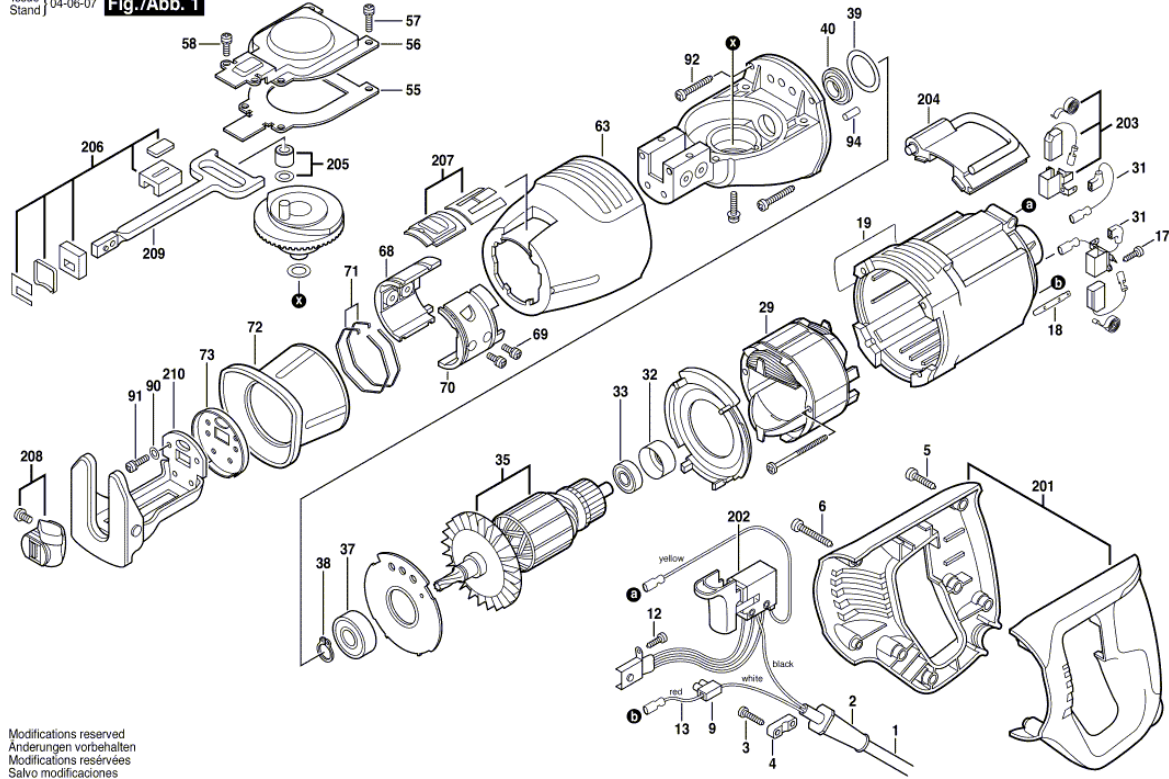


# 0 601 64C 039 RECIPROCATING SAW RS5

24.10.2005  
22:09:29

0 601 64C 039  
Issue | 04-06-07  
Stand |

**Fig./Abb. 1**



| Item | Quantity | Order No.     | Designation            | Price group | Page |
|------|----------|---------------|------------------------|-------------|------|
| 1    | 1        | 2 610 921 075 | CORD                   | 25          | 1    |
| 2    | 1        | 2 610 921 076 | GROMMET                | 10          | 1    |
| 3    | 2        | 2 610 923 220 | SCREW                  | 10          | 1    |
| 4    | 1        | 2 610 921 077 | CLAMP                  | 10          | 1    |
| 5    | 5        | 2 610 923 221 | SCREW                  | 10          | 1    |
| 6    | 2        | 2 610 923 222 | SCREW                  | 10          | 1    |
| 9    | 1        | 2 610 353 428 | TERMINAL               | 12          | 1    |
| 12   | 1        | 2 610 998 574 | SCREW                  | 10          | 1    |
| 13   | 1        | 2 610 921 102 | CABLE                  | 10          | 1    |
| 17   | 4        | 2 610 923 223 | SCREW                  | 10          | 1    |
| 18   | 4        | 2 610 921 103 | CONNECTOR              | 10          | 1    |
| 19   | 1        | 2 610 921 070 | NAMEPLATE              |             | 1    |
| 29   | 1        | 2 610 921 072 | FIELD \ 100V           | 27          | 1    |
| 31   | 2        | 2 610 921 081 | CABLE                  | 10          | 1    |
| 32   | 1        | 2 610 921 082 | RUBBER BUSHING         | 10          | 1    |
| 33   | 1        | 2 610 921 079 | BALL BEARING           | 17          | 1    |
| 35   | 1        | 2 610 921 073 | ARMATURE \ 100V        | 33          | 1    |
| 37   | 1        | 2 610 921 080 | BALL BEARING           | 17          | 1    |
| 38   | 1        | 2 610 380 120 | RETAINING RING         | 10          | 1    |
| 39   | 1        | 2 610 921 084 | WASHER                 | 10          | 1    |
| 40   | 1        | 2 610 921 085 | SEAL                   | 10          | 1    |
| 55   | 1        | 2 610 921 088 | BASE PLATE             | 13          | 1    |
| 56   | 1        | 2 610 921 089 | COVER PLATE            | 15          | 1    |
| 57   | 4        | 2 610 923 217 | SCREW                  | 10          | 1    |
| 58   | 2        | 2 610 923 218 | SCREW                  | 10          | 1    |
| 63   | 1        | 2 610 921 091 | COVER                  | 24          | 1    |
| 68   | 1        | 2 610 921 093 | COLLAR                 | 11          | 1    |
| 69   | 4        | 2 610 923 216 | SCREW                  | 10          | 1    |
| 70   | 1        | 2 610 921 094 | COLLAR                 | 11          | 1    |
| 71   | 2        | 2 610 921 095 | RING                   | 10          | 1    |
| 72   | 1        | 2 610 921 096 | COLLAR                 | 20          | 1    |
| 73   | 1        | 2 610 921 097 | END PLATE              | 11          | 1    |
| 90   | 4        | 2 610 921 101 | WASHER                 | 10          | 1    |
| 91   | 4        | 2 610 923 219 | SCREW                  | 10          | 1    |
| 92   | 4        | 2 610 923 222 | SCREW                  | 10          | 1    |
| 94   | 1        | 2 610 923 225 | RUBBER PLUG            | 10          | 1    |
| 201  | 1        | 2 610 921 083 | HANDLE                 | 25          | 1    |
| 202  | 1        | 2 610 921 074 | ON-OFF SWITCH          | 31          | 1    |
| 203  | 1        | 2 610 921 078 | CARBON-BRUSH SET       | 18          | 1    |
| 204  | 1        | 2 610 921 104 | HOOK                   | 18          | 1    |
| 205  | 1        | 2 610 921 086 | NEEDLE-ROLLER ASSEMBLY | 16          | 1    |
| 206  | 1        | 2 610 921 090 | SEAL BUSHING           | 16          | 1    |
| 207  | 1        | 2 610 921 092 | LOCKING LEVER          | 11          | 1    |
| 208  | 1        | 2 610 921 098 | BLADE HOLDER           | 24          | 1    |
| 209  | 1        | 2 610 921 099 | PLUNGER BAR            | 23          | 1    |
| 210  | 1        | 2 610 921 100 | SUPPORTING FOOT        | 23          | 1    |