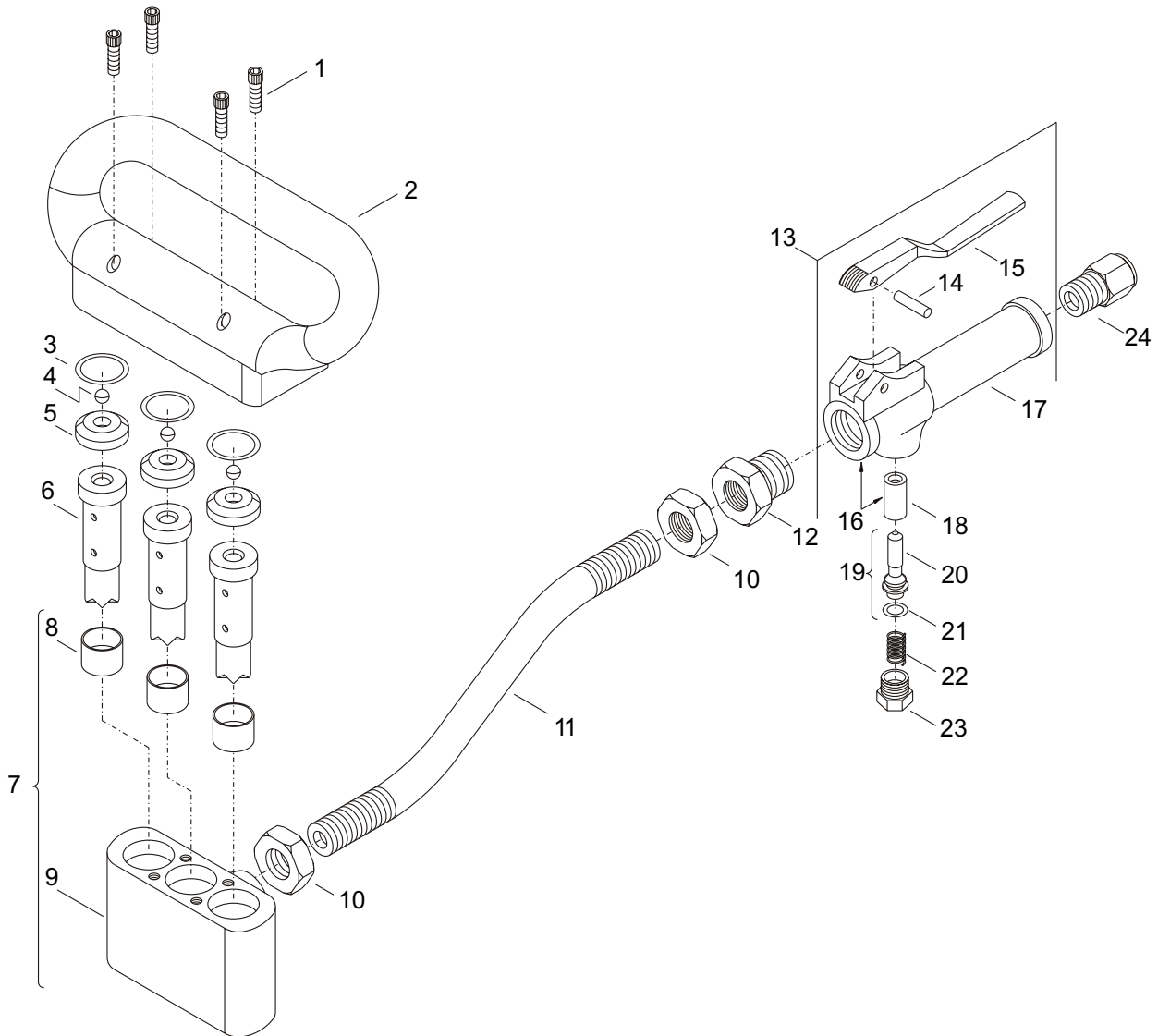


EXPLODED VIEW OF CP 0006



Ref. No.	Ordering No.	Qty.	Description
1	F826516	4	Screw - Locking
2	F826708	1	Handle - Cylinder
3	A082759	3	O-ring
4	F061776	3	Ball - Cushion
5	F826706	3	Cap - Cylinder
6	F064604	3	Piston
7	F826707	1	Cylinder complete (Includes item No. 8 & 9)
8	F826808	3	Bushing - Cylinder
9		1	Cylinder
10	F064909	2	Locknut
11	F064668	1	Handle - Bent
12	F826506	1	Bushing - Reducer
13	P007395	1	Throttle body assembly (Includes item No. 14, 15, 17, 18, 20, 21, 22 & 23)
14	P001921	1	Pin - Lever
15	P001903	1	Lever - Throttle
16	P007350	1	Body - Throttle (Includes item No.17, 18)
17		1	Body - Throttle
18	P001814	1	Bushing - Stem
19	P087671	1	Throttle valve (Includes item No. 20 & 21)
20		1	Throttle valve
21	CA088867	1	O-ring
22	P001858	1	Spring - Throttle
23	P001964	1	Cap - Valve
24	P001995	1	Strainer - Air