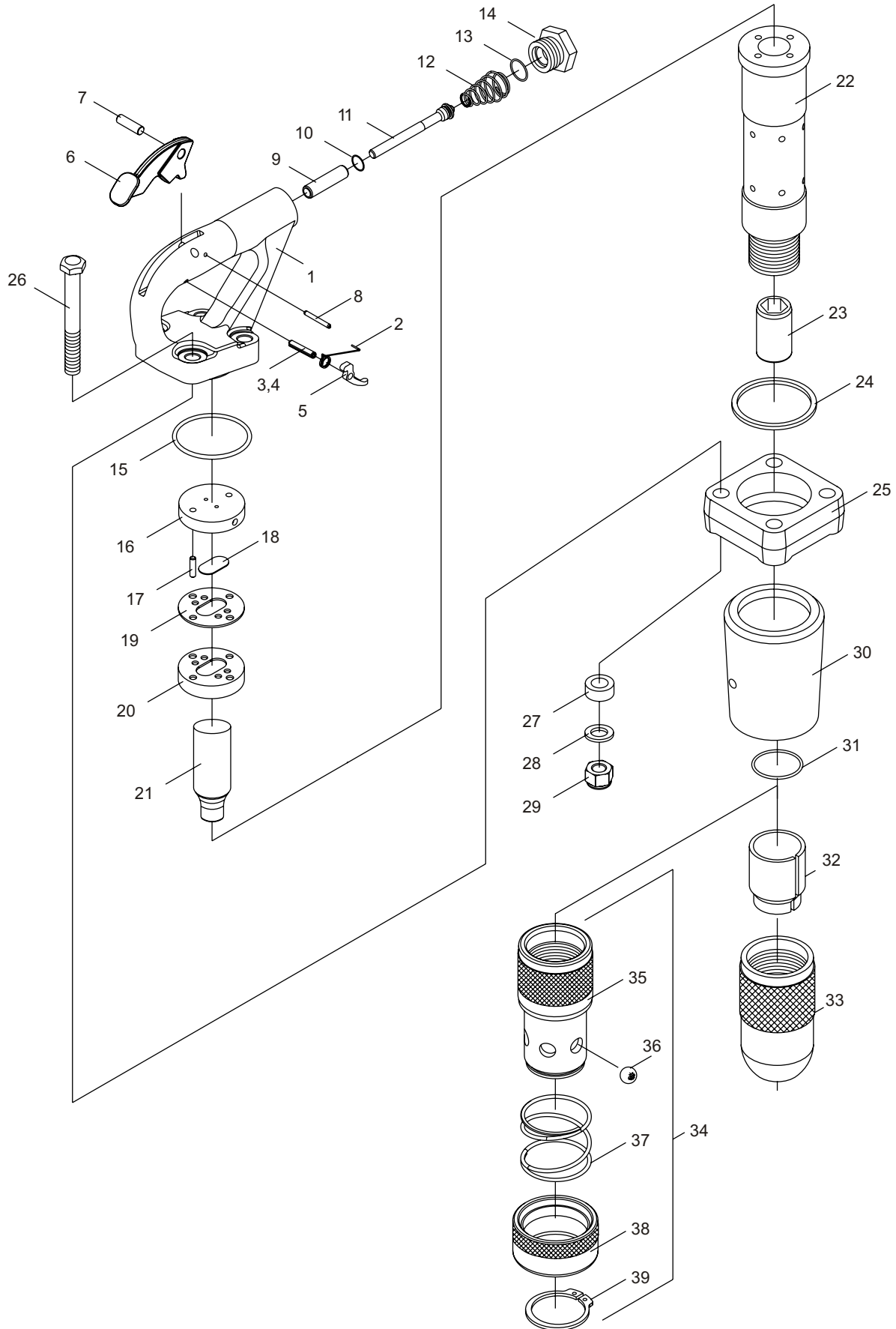


EXPLODED VIEW AND TABLES



Ref. No.	Part No.	Qty.	Description
	CP 0016 Chipping Hammer		(consists of 1 to 33) (from serial number 04190U156N onwards)
1	Z8342857	1	Handle (includes index number 9)
2	R157956	1	Lock-off spring
3	R158137	1	Pin-Lock-off trigger (5/32")
4	R158138	1	Pin-Lock-off trigger (3/32")
5	R157955	1	Lock-off trigger
6	R157990	1	Lever
7	A043627	1	Pin - Lever
8	G071660	1	Pin - Stop (1/8")
9	-	1	Bush-Throttle valve
10	R138140	1	"O" - Ring (Throttle valve)
11	R157957	1	Throttle valve (includes index number 10)
12	R157960	1	Spring-Throttle valve
13	C046471	1	"O" - Ring (Air Inlet Bushing)
14	F826645	1	Air Inlet Bushing
15	C116352	1	"O" - Ring
16	P071350	1	Lid - Upper valve case
17	A041797	2	Pin - Dowel
18	P071358	1	Valve
19	P071352	1	Case - Valve
20	P071351	1	Lid - Lower valve case
21	P157919	1	Piston - 3" Stepped Ø
22	-	1	Cylinder
23	P157918	1	Bushing -19 x 50 hex
24	R157952	1	Ring - Clamp
25	R157951	1	Flange - Cylinder
26	R157954	4	Bolt
27	P155421	4	Bumper
28	R158143	4	Washer
29	R157953	4	Nyloc Nut
30	P155535	1	Muffler
31	H2228858	1	Retainer Lock Ring (Dia. 39.2 x 3mm)
32	H2303858	1	Buffer
33	C8788859	1	Retainer
34	Z8389857	1	Retainer Assembly (Optional) (includes index numbers 35,36,37,38 and 39)
35	---	1	Retainer
36	Z8754857	1	Steel Ball (1 set consists of 6 numbers)
37	H3437857	1	Spring
38	---	1	Retainer Sleeve
39	H3275857	1	External Circlip