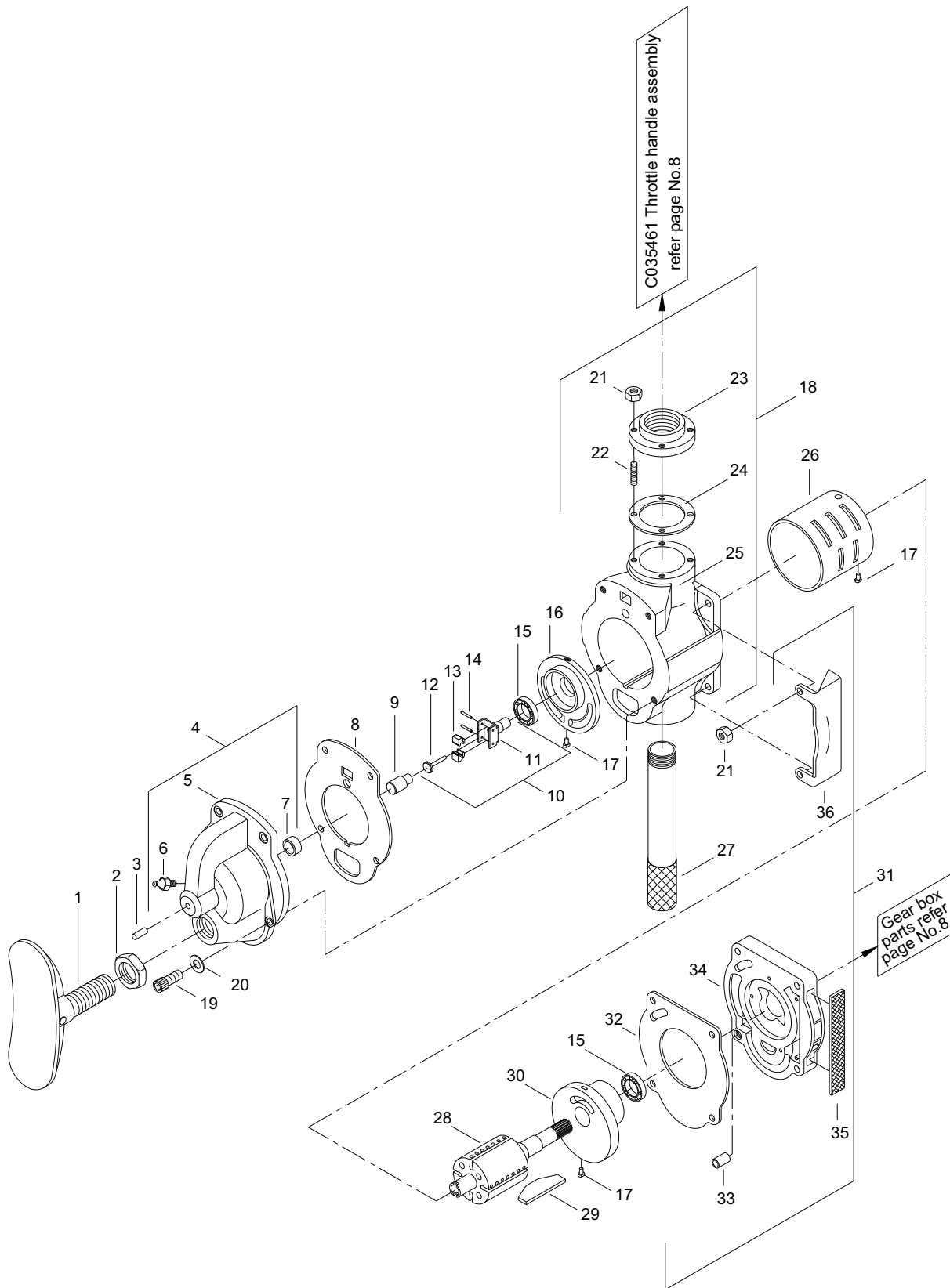


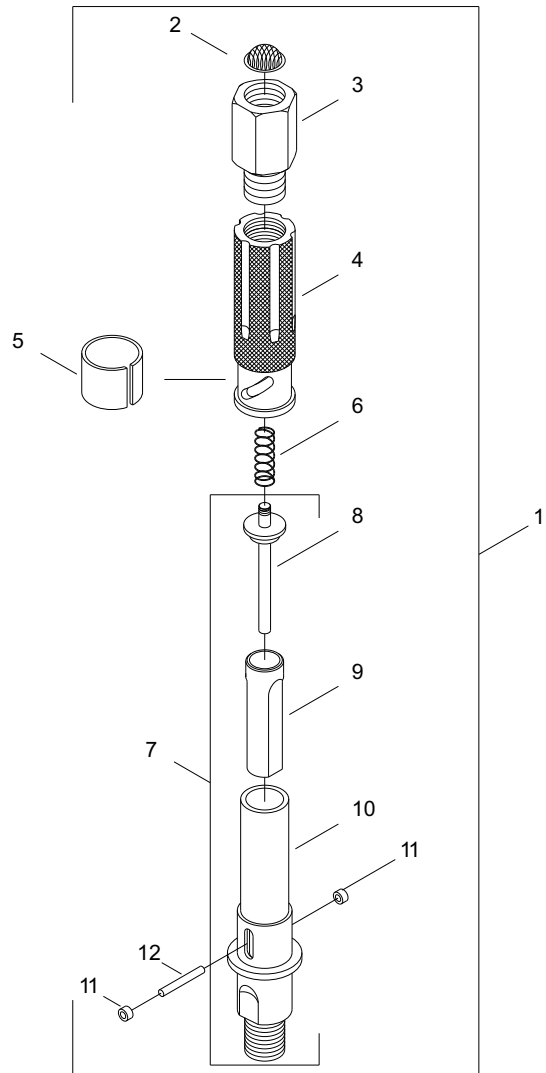
EXPLODED VIEW OF CP 0315



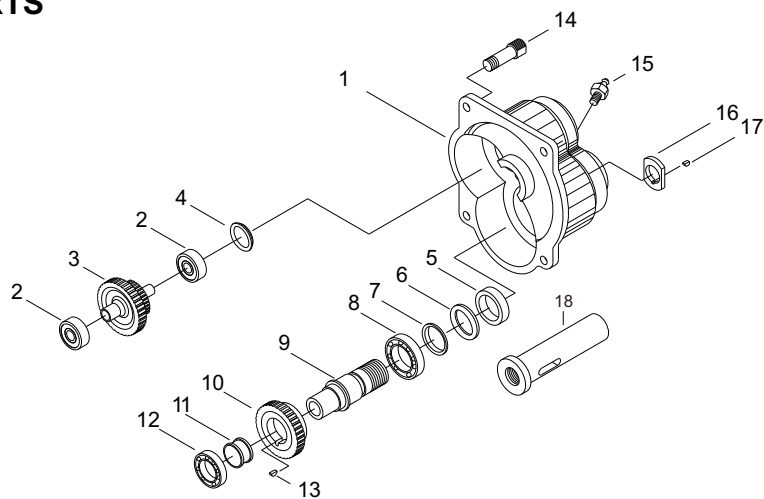
Ref. No.	Ordering No.	Qty.	Description
1	S002114	1	Breast plate & stud assembly
2	C037056	1	Nut - Lock
3	C037062	1	Pin - Governor stop
4	C037119	1	Cap - Motor housing (Includes item No. 5, 6 & 7)
5		1	Cap - Motor housing
6	S021215	1	Fitting - Grease
7	C038728	1	Bushing - Governor
8	C038197	1	Gasket
9	C037064	1	Plunger - Governor
10	C035538	1	Governor body complete (Includes item No. 11, 12, 13 & 14)
11		1	Body - Governor
12	C035102	1	Pin - Governor
13	C035105	2	Weight - Governor
14	C035104	2	Pin - Governor weight
15	C063585	2	Bearing - Ball
16	C037052	1	Plate - Upper end
17	C036875	3	Dowel - Liner
18	C122074	1	Housing - Motor complete (Includes item No.19, 20, 21, 22, 23, 24 & 25)
19	C064806	4	Screw - Cap
20	C012058	4	Lockwasher
21	C037118	8	Nut - Stop (1/4" - 28)
22	C037154	4	Stud - Handle
23	C038944	1	Adapter - Handle
24	C069935	1	Gasket - Handle
25		1	Housing - Motor
26	C037066	1	Liner
27	C012146	1	Handle - Dead
28	C037058	1	Rotor (8 teeth)
29	C037067	4	Blade - Rotor
30	C037053	1	Plate - Lower end
31	C037120	1	Plate - Transfer complete (Includes item No.32, 33, 34, 35 & 36)
32	C038199	1	Gasket
33	C037073	1	Dowel - Tube
34		1	Plate - Transfer
35	C122061	1	Diffuser - Exhaust
36	C122062	1	Deflector - Exhaust

EXPLODED VIEW OF CP 0315

C035461 - THROTTLE HANDLE



GEAR BOX PARTS



Ref. No.	Ordering No.	Qty.	Description
----------	--------------	------	-------------

Throttle handle (Consists of item No.1 to 12)

1	C035461	1	Throttle complete (Includes item No.2, 3, 4, 5, 6, 8, 9, 10, 11 & 12)
2	C036909	1	Screen - Air
3	C035781	1	Cap - Throttle
4	C035569	1	Sleeve - Throttle
5	C035574	1	Protector - Throttle roller
6	C035782	1	Spring - Throttle
7	C035563	1	Stem - Throttle (Includes item No. 8, 9 & 10)
8	C034054	1	Valve - Throttle
9		1	Bushing
10		1	Stem - Throttle
11	C034056	2	Roller - Throttle stem
12	C034066	1	Pin - Throttle stem roller

Gear box parts (Consist of item No.1 to 17)

1	C037049	1	Case - Gear
2	S025102	2	Bearing - Ball
3	C037080	1	Gear & Pinion (20 & 36 teeth)
4	S035334	1	Plug - Bearing knockout
5	S037114	1	Washer - Bearing felt
6	S037113	1	Retainer - Felt washer
7	M3609606	1	Spacer
8	S037117	1	Bearing - Ball
9	C037057	1	Spindle
10	C037076	1	Gear - Spindle (36 Teeth)
11	C037068	1	Collar - Spindle spacer
12	C036769	1	Bearing - Ball
13	S005907	1	Key - Woodruff
14	C037074	4	Bolt - Gear case
15	S021215	1	Fitting - Grease
16	C037065	1	Collar - Spindle
17	S003629	1	Key - Woodruff

Morse taper adaptor (Optional)

18	C013048	1	Morse taper adaptor # 2 M. T.
----	---------	---	-------------------------------