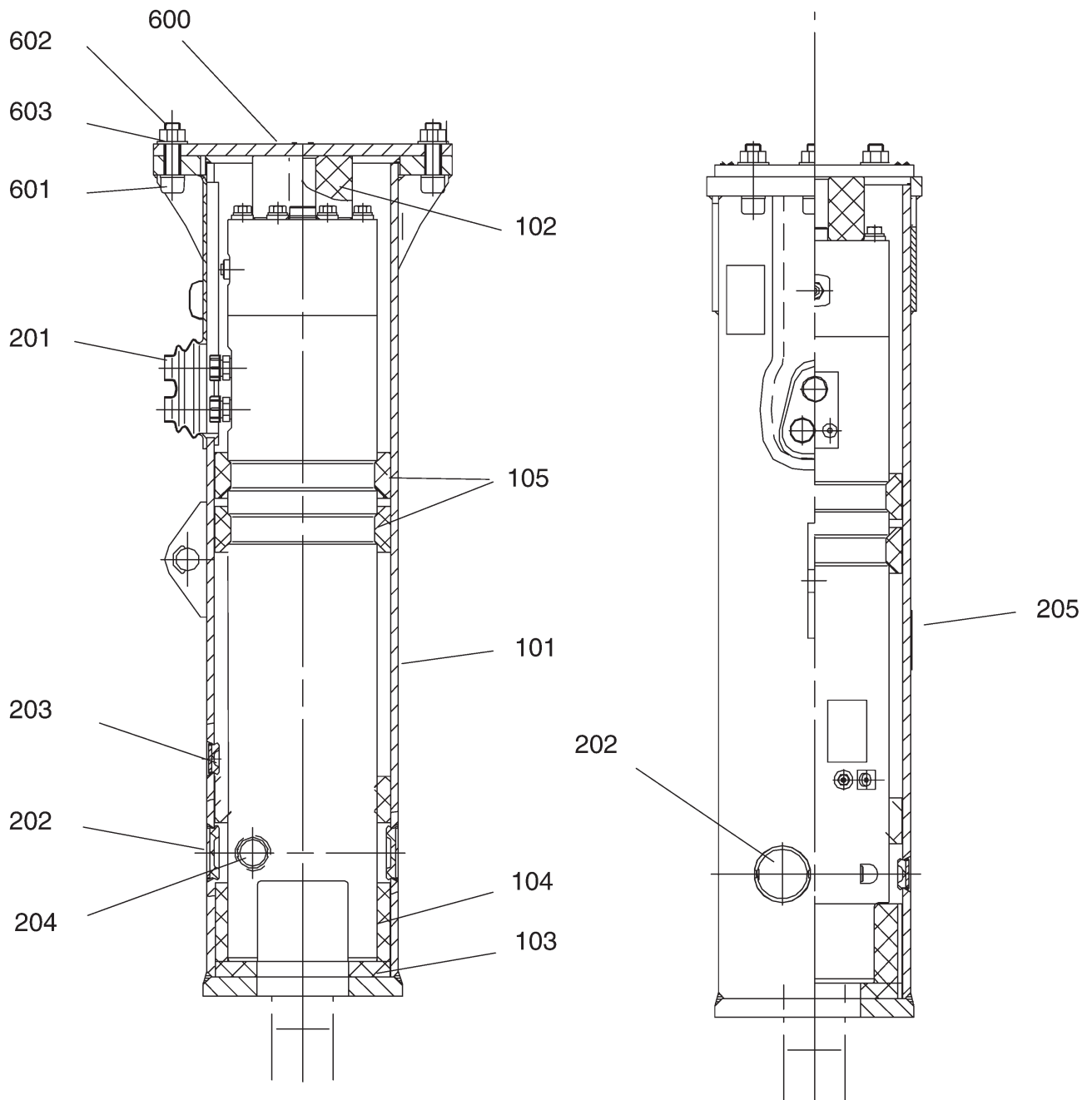


Model		CP 100		CP 150		CP 200		CP 300		CP 400	
Ref.	Description	Qty.	part no.	Qty.	part no.	Qty.	part no.	Qty.	part no.	Qty.	part no.
1	Bolt	8	3361 1910 08	10	3361 1910 06	10	3361 1910 06	8	3361 1910 04	8	3361 1910 01
2	Washer	8	3361 1910 09	10	3361 1910 07	10	3361 1910 07	8	3361 1910 05	8	3361 1910 02
3	Plate spring	1	3361 1100 04	1	3361 1200 04	1	3361 1300 04	1	3361 140 0 04	1	3361 1500 04
4	Spacer	1	3361 1100 05	1	3361 1200 05	1	3361 1300 05	1	3361 1400 05	1	3361 1500 05
5	Dowel pin	1	3363 0702 32	1	3363 0702 32	1	3363 0702 32	1	3363 0702 32	1	3360 1067 44
6	Piston	1	3361 1100 01	1	3361 1200 01	1	3361 1300 01	1	3361 1400 01	1	3361 1500 01
7	Cap	1	3361 8467 97	1	3363 0702 33	1	3362 2632 90	1	3363 0704 09	1	3363 0317 12
100	Cover	1	3361 1100 07	1	3361 1200 07	1	3361 1300 07	1	3361 1400 07	1	3361 1500 07
101	Filling valve	1	3361 1910 03	1	3361 1910 03	1	3361 1910 03	1	3361 1910 03	1	3361 1910 03
102	O-ring	1	3361 1920 01	1	3361 1920 01	1	3361 1920 01	1	3361 1920 01	1	3361 1920 01
103	Plug	1	3360 4784 26	1	3360 4784 26	1	3360 4784 26	1	3360 4784 26	1	3360 4784 26
200	Seal bush	1	3361 1100 03	1	3361 1200 03	1	3361 1300 03	1	3361 1400 03	1	3361 1500 03
201	Sealing	1	3361 1920 52	1	3361 1920 42	1	3361 1920 31	1	3361 1920 17	1	3361 1920 02
202	Sealing	2	3361 1920 53	2	3361 1920 43	2	3361 1920 32	2	3361 1920 18	2	3361 1920 03
203	O-ring	1	3361 1920 68	3	3361 1920 44	2	3361 1920 33	2	3361 1920 19	2	3361 1920 04
204	O-ring	1	3361 1920 55	1	3361 1920 45	1	3361 1920 04	1	3361 1920 20	1	3361 1920 05
205	Back-up ring	1	3361 1920 56	1	3361 1920 46	1	3361 1920 34	1	3361 1920 21	1	3361 1920 06
206	O-ring	1	3361 1920 57	1	3361 1920 20	1	3361 1920 35	1	3361 1920 22	1	3361 1920 07
207	Back-up ring	1	3361 1920 58	1	3361 1920 21	1	3361 1920 36	1	3361 1920 23	1	3361 1920 08
208	O-ring	2	3361 1920 72	-	-	-	-	-	-	-	-
300	Cylinder body	1	3361 1100 02	1	3361 1200 02	1	3361 1300 02	1	3361 1400 02	1	3361 1500 02
301	Control valve	1	3361 1101 06	1	3361 1201 06	1	3361 1301 06	1	3361 1401 06	1	3361 1501 06
302	O-ring	1	3361 1920 59	-	-	-	-	-	-	-	-
303	Back-up ring	1	2261 1920 60	-	-	-	-	-	-	-	-
304	Fitting	2	3361 0316 12	2	3361 0314 76	2	3361 0314 76	2	3361 0314 76	2	3361 0314 76
305	Cap	2	3361 3534 85	2	3361 3534 86	2	3361 3534 86	2	3361 3534 86	2	3361 3534 86
306	O-ring	1	3361 1920 61	1	3361 1920 47	1	3361 1920 05	1	3361 1920 25	1	3361 1920 11
307	Back-up ring	1	3361 1920 62	1	3361 1920 48	1	3361 1920 06	1	3361 1920 26	1	3361 1920 12
308	Sealing	1	3361 1920 63	1	3361 1920 49	1	3361 1920 38	1	3361 1920 27	1	3361 1920 13
309	Sealing	1	3361 1920 64	1	3361 1920 50	1	3361 1920 39	1	3361 1920 28	1	3361 1920 14
310	O-ring	-	-	-	-	1	3361 1920 40	1	3361 1920 29	1	3361 1920 15
311	Stripper	1	3361 1920 65	1	3361 1920 51	1	3361 1920 41	1	3361 1920 30	1	3361 1920 16
312	O-ring	2	3361 1920 66	2	3361 1920 67	2	3361 1920 67	2	3361 1920 67	2	3361 1920 67
313	Seal	-	-	1	3315 2966 10	1	3315 2966 15	1	3315 2966 20	1	3315 2966 25
400	Housing	1	3361 1100 08	1	3361 1200 08	1	3361 1300 08	1	3361 1400 08	1	3361 1500 08
401	Wear bushing	1	3361 1100 09	1	3361 1200 09	1	3361 1300 09	1	3361 1400 09	1	3361 1500 12
402	Retainer pin	1	3361 1100 10	1	3361 1200 10	1	3361 1300 10	1	3361 1400 10	1	3361 1500 10
403	Grease nipple	1	3363 0702 99	1	3363 0702 99	1	3363 0702 99	1	3363 0702 99	1	3363 0702 99
405	Split pin	1	3363 0838 54	1	3363 0838 53	1	3363 0838 52	1	3360 4341 60	1	3360 1005 37
406	Plug	-	-	-	-	1	3363 0669 63	1	3363 0669 63	1	3363 0669 63
407	Threaded insert	8	3360 1850 31	10	3363 0702 31	10	3363 0702 31	8	3363 0704 18	8	3363 0665 89



Model		CP 100		CP 150		CP 200		CP 300		CP 400	
Ref.	Description	Qty.	part no.	Qty.	part no.	Qty.	part no.	Qty.	part no.	Qty.	part no.
101	Hammer box	1	3362 1100 02	1	3362 1200 02	1	3362 1300 02	1	3362 1400 02	1	3362 1500 02
102	Elastic pad	1	3362 4910 11	1	3362 4910 08	1	3362 4910 05	1	3362 4910 05	1	3362 4910 01
103	Shock absorber	1	3362 4100 01	1	3362 4200 01	1	3362 4300 01	1	3362 4400 01	1	3362 4500 01
104	Guide plate	1	3362 4100 02	1	3362 4200 02	1	3362 4300 02	1	3362 4400 02	1	3362 4500 02
105	Guide plate	2	3362 4100 03	2	3362 4200 03	2	3362 4300 03	2	3362 4400 03	2	3362 4500 03
201	Cover	1	3362 4910 12	1	3362 4910 09	1	3362 4910 06	1	3362 4910 06	1	3362 4910 02
202	Plug	2	3362 4910 13	2	3362 4910 13	2	3362 4910 07	2	3362 4910 07	2	3362 4910 03
203	Plug	1	3362 4910 14	1	3362 4910 14	3	3362 4910 04	3	3362 4910 04	3	3362 4910 04
204	Plug	2	3362 4910 15	2	3362 4910 15	-	-	-	-	-	-
205	Product sign	2	3315 2783 00	2	3315 2783 01	2	3315 2783 02	2	3315 2783 03	2	3315 2783 04
600	Base plate, option	1	3362 2678 52	1	3362 2677 66	1	3362 2649 91	1	3362 2649 91	1	3362 2649 91
601	Screw, option	6	3360 0266 44	6	3360 0266 44	6	0211 1557 03	6	0211 1557 03	6	0211 1557 03
602	Nut, option	6	3360 1032 70	6	3360 1032 70	6	3360 1032 51	6	3360 1032 51	6	3360 1032 51
603	Lockwasher, option	12	3361 3337 03	12	3361 3337 03	12	3361 8507 48	12	3361 8507 48	12	3361 8507 48

Seal set/ Jeu de joints d'étanchéité/ Dichtungssatz/ Juego de sellado/ Gruppo di tenuta/ Jogo de vedantes/ Dichtingsset/ Σετ στεγανωτικού/ Tiivistesarja/ Pakningssæt/ Pakningsett/ Tätningssats

Model		CP 100		CP 150		CP 200		CP 300		CP 400	
Ref.	Description	Qty.	part no.	Qty.	part no.	Qty.	part no.	Qty.	part no.	Qty.	part no.
-	Set of seals	1	3361 1100 11	1	3361 1200 11	1	3361 1300 11	1	3361 1400 11	1	3361 1500 11

Tightening torques

Ref. No	Designation	CP 100	CP 150	CP 200	CP 300	CP 400
1	Bolt	1 st step	15 Nm	25 Nm	25 Nm	60 Nm
		2 nd step	60°	30°	30°	30°
		3 rd step	30°	30°	30°	30°
101	Filling valve	130 Nm	130 Nm	130 Nm	130 Nm	130 Nm
304	Fitting	60 Nm	90 Nm	90 Nm	90 Nm	90 Nm
406	Plug	-	-	-	-	30 Nm
403	Grease nipple	20 Nm	20 Nm	20 Nm	20 Nm	20 Nm
103	Plug	20 Nm	20 Nm	20 Nm	20 Nm	20 Nm
601	Screw	200 Nm	200 Nm	390 Nm	390 Nm	390 Nm

Working tools

Pos	Part no	Description	for breaker	Total length mm	Working length mm	Tip width mm	Weight kg
1	3363 1100 10	Moil Point	CP 100	428	265		4.0
2	3363 1100 02	Narrow Chisel	CP 100	428	265	42	4.2
3	3363 1100 03	Blunt Tool	CP 100	428	265		4.4
4	3363 1100 05	Asphalt Spade	CP 100	470	428	100	4.7
1	3363 1200 01	Moil Point	CP 150	530	320		7.9
2	3363 1200 02	Narrow Chisel	CP 150	530	320	52	8.3
3	3363 1200 03	Blunt Tool	CP 150	530	320		8.6
4	3363 1200 05	Asphalt Spade	CP 150	595	530	115	9.7
1	3363 1300 01	Moil Point	CP 200	592	350		12.5
2	3363 1300 02	Narrow Chisel	CP 200	592	350	62	13.0
3	3363 1300 03	Blunt Tool	CP 200	592	350		13.1
4	3363 1300 05	Asphalt Spade	CP 200	665	592	130	14.6
1	3363 1400 01	Moil Point	CP 300	667	380		18.0
1	3363 1400 06	Moil Point long	CP 300	750	460		23.2
2	3363 1400 02	Narrow Chisel	CP 300	667	380	70	18.7
3	3663 1400 03	Blunt Tool	CP 300	667	380		17.6
4	3363 1400 05	Asphalt Spade	CP 300	770	667	150	22.7
1	3363 1500 01	Moil Point	CP 400	747	415		26.3
2	3363 1500 02	Narrow Chisel	CP 400	747	415	80	27.3
3	3363 1500 03	Blunt Tool	CP 400	747	415		28.9
4	3363 1500 05	Asphalt Spade	CP 400	840	737	150	31.9

