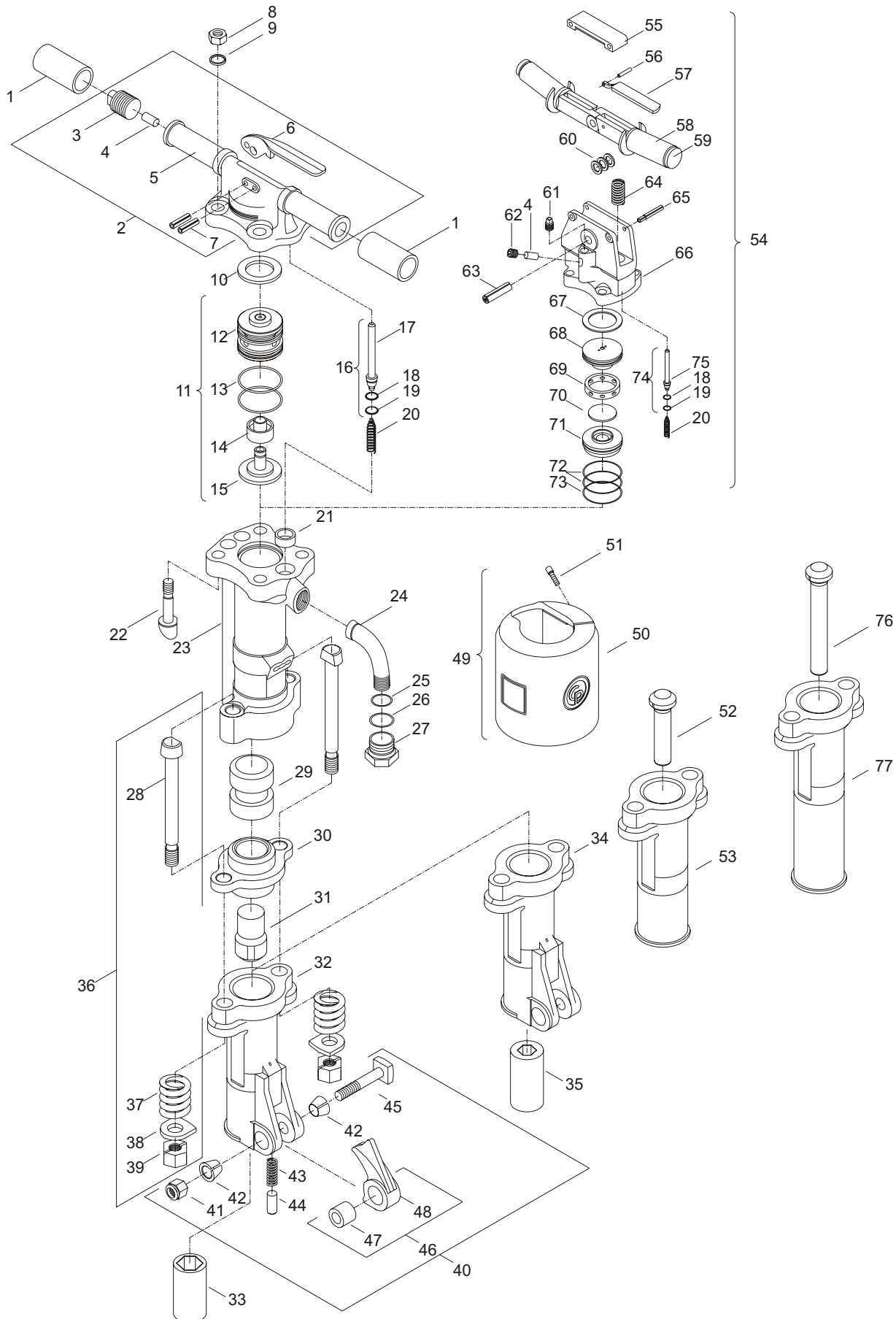


EXPLODED VIEW OF CP 1240 S & VRS



Ref. No.	Ordering No.	Qty.	Description
1	F816345	2	Grip - Rubber
2	F815126	1	Backhead assembly (Includes item No. 2, 3, 4,5,6 & 7)
3	R075031	1	Plug - Oil
4	C036901	1	Plug - Oil regulator
5		1	Backhead
6	F814725	1	Lever - Throttle
7	R133433	2	Pin - Throttle lever
8	R003069	4	Nut - Hex.
9	R000550	4	Lock washer
10	R085259	1	Washer - Take up
11	R122977	1	Valve case assembly (Includes item No. 12, 13, 14 & 15)
12	R092904	1	Case - Valve
13	P083094	2	O-ring
14	R122975	1	Valve
15	R122976	1	Guide - Valve
16	R092894	1	Valve - Throttle (Includes item No. 17, 18 & 19)
17		1	Valve - Throttle
18	R098368	1	Seal - Throttle valve
19	R098369	1	Ring - Valve seal retaining
20	R005717	1	Spring - Throttle valve
21	R047965	1	Seal - Cylinder
22	R092896	4	Bolt - Backhead
23		1	Cylinder
24	R085269	1	Swivel - Air inlet
25	R110317	1	O-ring
26	P103521	1	O-ring
27	R000530	1	Nut - Inlet swivel
28	F037790	2	Bolt - Fronthead
29	R000127	1	Piston
30	R092907	1	Bushing - Anvil block
31	R096123	1	Block - Anvil
32	R092918	1	Fronthead (1 1/4" Hex.) (Includes item No. 33)
33	R040635	1	Bushing - Fronthead (1 1/4")
34	R092917	1	Fronthead (1 1/8" Hex.) (Includes item No. 35)
35	R090122	1	Bushing - Fronthead (1 1/8")
36	Z3629448	1	Side bolt kit, includes one pair of complete bolt assembly (Item No. 28, 37, 38 & 39)
37	R092915	2	Spring - Fronthead
38	R096059	2	Lock - Fronthead nut
39	F037789	2	Nut - Fronthead bolt
40	Z8320448	1	Latch kit (Includes item No. 41, 42, 43, 44, 45, 47 & 48)
41	P008999	1	Lock nut
42	R076562	2	Bushing - Retainer bolt
43	R092911	1	Spring - Latch plunger
44	R092910	1	Plunger - Retainer latch
45	R076853	1	Bolt - Retainer latch
46	R092909	1	Latch - Retainer complete (Includes item No. 47 & 48)
47	R050894	1	Bushing - Retainer latch
48		1	Latch - Retainer
49	K3206448	1	Muffler complete (Includes item No. 50 & 51)
50	F814004	1	Hood - Muffler
51	R117415	4	Screw - Allen cap
52	R043649	1	Block - Driving
53	R043644	1	Fronthead (Spike driver) (7.69")
54	R145778	1	Backhead assembly (Includes item No. 55 to 75 & 4, 18, 19 & 20)
55	R157669	1	Cover - Buffer
56	R145866	1	Pin - Lever
57	R145781	1	Lever
58	R145788	2	Grip
59	R146841	2	Handle
60	R145861	3	Steel washer
61	R004975	1	Oil - Plug sq.hd.
62	Q3217400	1	Plug
63	0108 1535 00	1	Pin - Roll
64	R147757	2	Spring
65	R157670	2	Pin - Stepped
66		1	Backhead
67	R147756	1	Gasket
68	R138490	1	Upper valve lid
69	R138489	1	Valve case
70	R138488	1	Valve
71	R145787	1	Lower valve lid
72	R137341	2	O-ring
73	R154983	1	O-ring
74	R145782	1	Throttle valve (Includes item No. 75, 18 & 19)
75		1	Throttle valve
76	R147441	1	Block - Driving - Ext. lg.
77	R147439	1	Fronthead (Spike driver) (12.69")