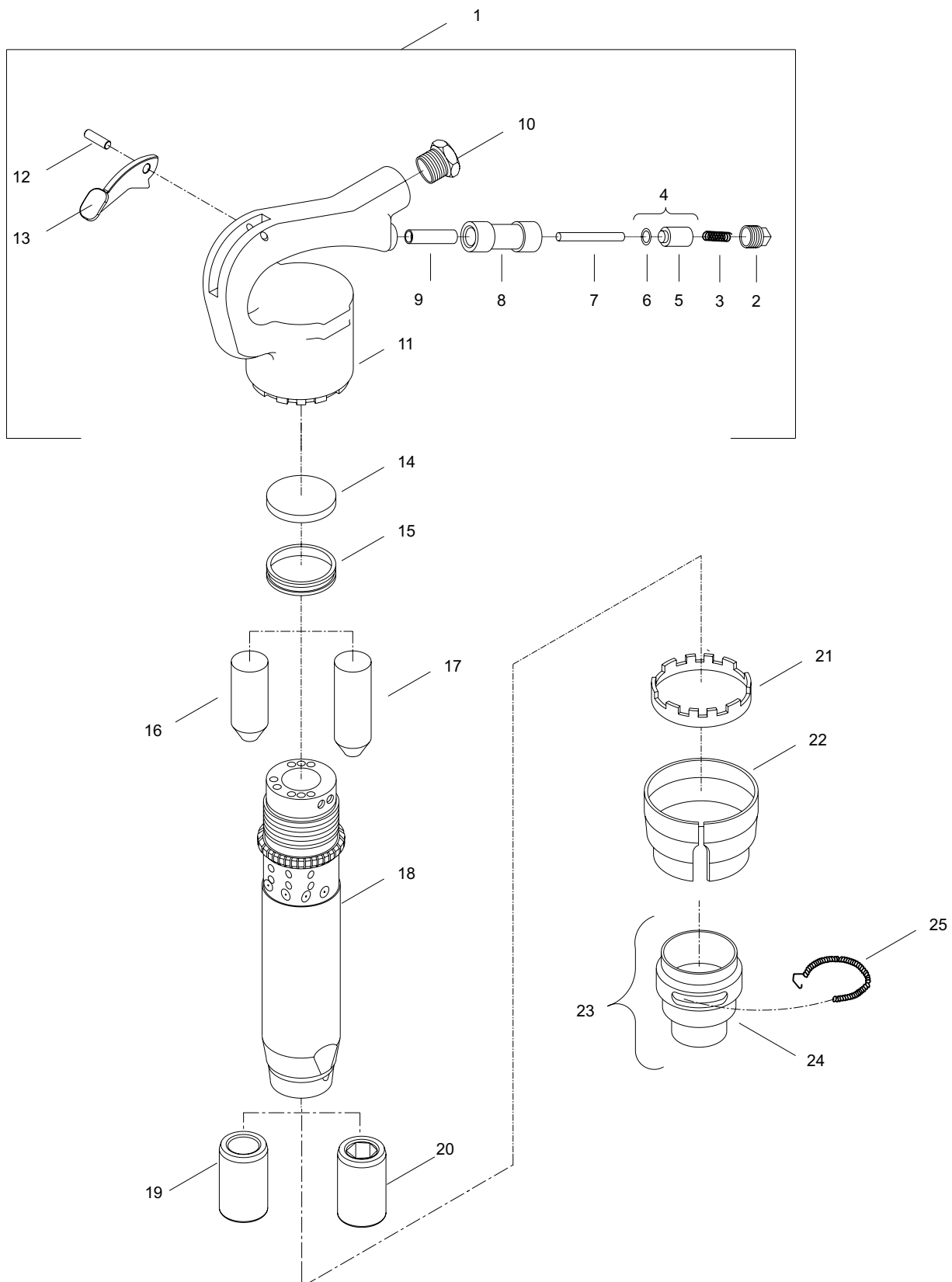


EXPLODED VIEW OF CP 4125 2R, CP 4125 2H CP 4125 3R, CP 4125 3H CP 4125 4R, CP 4125 4H



Ref. No.	Ordering No.	Qty.	Description
CP 4125 Chipping Hammer			
1	P130242	1	Handle assembly (Includes item No. 2, 3, 5, 6, 7, 8, 9, 10, 11, 12 & 13)
2	P001873	1	Plug - Throttle valve
3	P001853	1	Spring - Throttle valve
4	P001768	1	Valve - Throttle complete (Includes item No. 5 & 6)
5		1	Valve - Throttle
6	P083071	1	O-ring (-011)
7	P070719	1	Pin - Throttle valve bush
8	P071318	1	Tube - Throttle valve
9	P070733	1	Bushing - Push pin
10	P009585	1	Bushing - Permanent
11		1	Handle
12	A043627	1	Pin - Throttle lever
13	P009818	1	Lever - Throttle
14	P009837	1	Lid (Ring valve)
15	P009836	1	Valve (Ring valve)
16	P118662	1	Piston (for 2" or 3" stroke version)
17	P118678	1	Piston (for 4" stroke version)
18		1	Cylinder
19	P001550	1	Sleeve - Chisel (Round)
20	P001551	1	Sleeve - Chisel (Hex)
21	P128247	1	Collar - Lock
22	P071355	1	Shield - Lock
23	P107243	1	Sleeve - Retainer (Includes item No. 24 & 25)
24		1	Sleeve - Retainer
25	P070994	1	Spring - Lock coil