

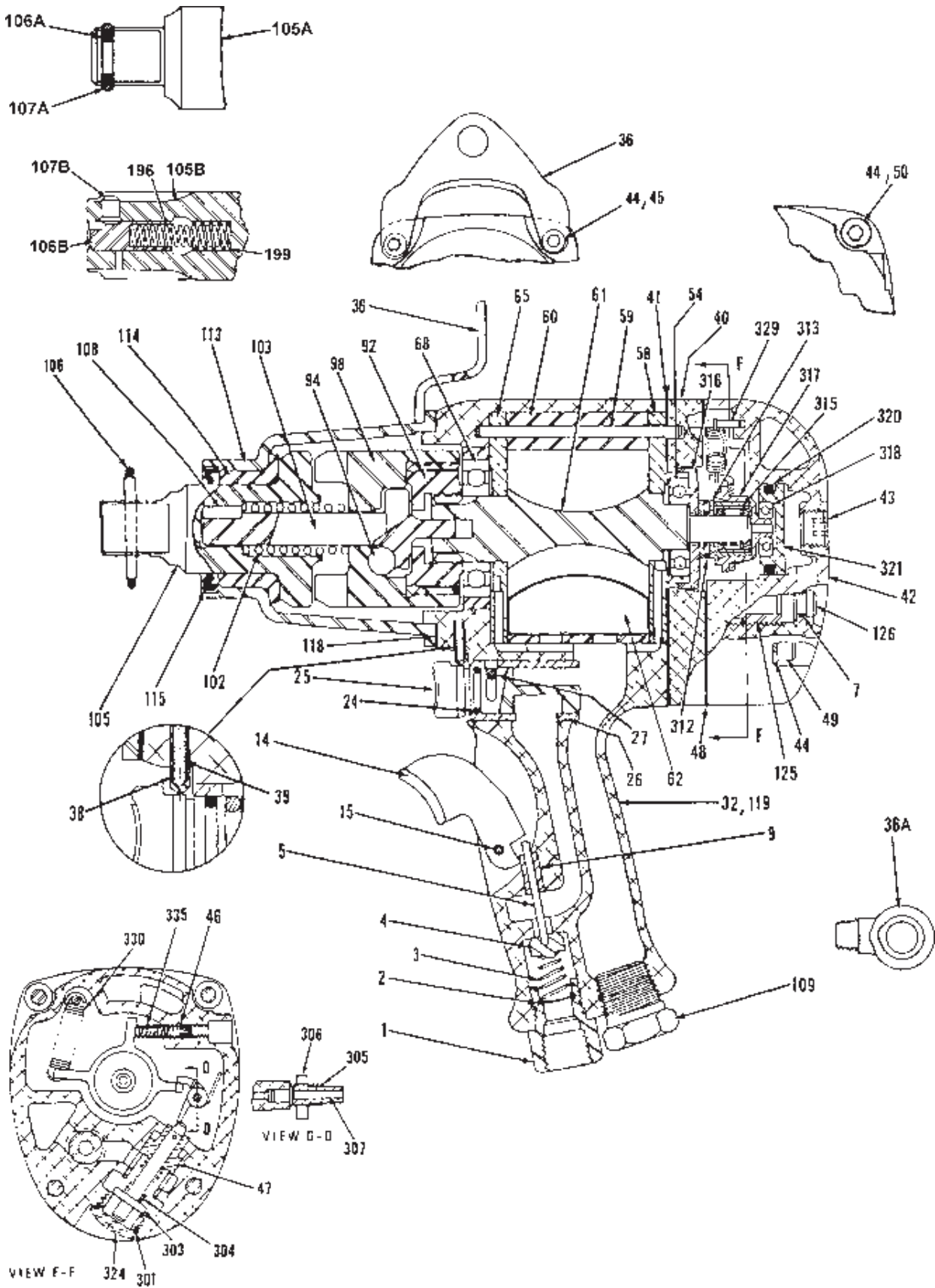
CP6060

Torque Control Air Impact Wrench

Model "B"

UP640

Parts Manual



Index No.	CP Part No.	Description	No. Req'd.	Index No.	CP Part No.	Description	No. Req'd.
1	CA129654	Bushing-Air Inlet (Incl: Index No. 2)	1	105	C144729 CA144726	Anvil (3/4" Square Drive) Anvil (1" Square Drive)	1 1
2	C036000	Strainer-Air	1	105A	CA144725	Anvil (3/4" Sq. Dr. Friction Retainer)	1
3	CA129677	Spring-Throttle Valve	1			(Includes: Index No's. 106A & 107A)	1
4	KF129106	Valve-Throttle	1	105B	C145296	Anvil (#4 Spline) (Includes: Index No's. 106B, 107B, 196 & 199)	1
5	C144629	Stem-Valve	1	106	C134690 C155472	Ret Ring 3/4" Square Drive Ret Ring 1" Square Drive	1 1
7	C100130	"O" Ring	2			"O" Ring (-011)	1
9	C145930	Bushing-Throttle Valve	1	106A	CA083354	Plunger	1
14	C087934	Trigger-Throttle	1	106B	C054199	Ring-Snap	1
15	P043882	Pin-Throttle	1	107A	CA087404	Button-Spline Lock	1
24	P092537	"O" Ring-Reverse Valve (-014)	1	107B	C054198	Pin-Timing Shaft	1
25	C130913	Valve-Reverse	1	108	P001915	Diffuser-Exhaust	1
26	C130908	Bushing-Reverse Valve	1	109	C130921	Housing-Clutch (Incl: Index No's 114 & 115)	1
27	C132130	Pin-Valve Retainer	1	113	C130973	Bushing-Clutch	1
32	C130907	Housing-Motor (Incl: Index No's 9 & 26)	1	114	CA129643	Seal-Oil	1
36	C130920	Bail-Suspension (Horizontal)	1	115	CA129676	Gasket-Clutch Housing	1
36A	C056666	Bail-Suspension (Vertical)	1	118	C130933	Decal-Safety Warning	1
38	C134460	Pin-Reverse Valve Stop	1	119	CA144007	Decal-Pin Warning	1
39	CA099902	Spring-Reverse Valve	1		C134724	Screw-Regulator	1
40	C131017	Plate-Housing	1	125	C131021	Shaft-Regulator	1
41	C131014	Gasket-Housing	1	126	C131013	Spring-Retainer	1
42	C131016	Housing-Torque (Incl: Index No's 46 & 47)	1	196	S021307	Spring-Outer	1
43	C054897	Plug-Pipe (1/4")	1	199	C054200	"O" Ring	1
44	CA129679	Lockwasher (1/4")	8	301	C045689	Valve-Cut Off	1
45	C127944	Screw-Soc. Hd. Cap. (M6 x 20mm)	4	303	C056859	Spring-Valve	1
46	C094476	Insert-Helical Coil	1	304	C094845	Spring-Toggle	1
47	C106817	Bushing	1	305	C056855	Toggle-Cut Off	1
48	C131015	Gasket-Housing	1	306	C056857	Shaft-Toggle	1
49	C131023	Screw-Soc. Hd. Cap (M6 x 50mm)2	1	307	C056856	Bearing-Thrust	1
50	C131022	Screw-Soc. Hd. Cap (M6 x 35mm)	2	312	C046994	Race-Bearing	2
54	C068659	Bearing-Ball	1	313	C120126	Clutch Assembly-One Way	1
58	C145796	Plate-Upper End	1	315	C121854	Retainer-Bearing	1
59	C105683	Pin-Dowel	1	316	C131020	Arm-Lever	1
60	CA129649	Liner	1	317	C131018	Bearing-Ball	1
61	C131012	Rotor	1	318	S065412	"O" Ring (-214)	1
62	CA129653	Blade-Rotor	6	320	C084172	Piston	1
65	C130906	Plate-Lower End	1	321	C046861	Plug-Valve	1
68	C063836	Bearing-Ball	1	324	C056858	Pin-Roll (3/32" Dia. x 3/4")	1
92	CA129647	Coupling	1	329	C091726	Spring-Lever	1
94	C011086	Ball-Steel (3/8")	1	330	C046855	Screw-Torque Adjustment (1/4"-20 x 7/8")	1
98	CA129645	Dog-Clutch	1	335	C045835		
102	CA129644	Spring-Release	1				
103	CA144724	Shaft-Timing	1				

Accessories

CP Ret Ring Part No.	Identification number molded into ring	Inside Diameter of Ret Ring (in.)	For Use on Square Drive (in.)
C-155467	10005S	1-14"	3/4"
C-155468	10032S	1-7/16"	3/4"
C-134690*	10034S	1-5/8"	3/4"
C-134691	18708S	1-3/4"	3/4"
C-155585	18710S	2"	3/4"
C-155489	18715S	2-1/8"	3/4"
C-155586	18716S	2-1/4"	3/4"
C-155470	10008S	1-3/4"	1"
C-155471	10010S	2"	1"
C-155472**	10015S	2-1/8"	1"
C-134692	10016S	2-1/4"	1"
C-155473	10017S	2-1/2"	1"
C-155474	10019S	2-5/8"	1"

*Supplied with 3/4" anvil
**Supplied with 1" anvil