

Index No.	Part No.	Description	No. Req'd.
1	C094354	Bushing-Air Inlet	1
2	C087505	Screen-Throttle	1
3	C088079	Spring-Throttle	1
4	C106818	Retainer-O-Ring	1
5	C106825	Valve-Assembly	1
7	<u>A043001</u>	O-Ring (-013)	1
9	C106817	Bushing-Valve	1
14A	C062112	Lever-Throttle	1
14B	C063747	Trigger-Inside	1
15	C113758	Pin-Trigger	1
16	P072359	Pin-Trigger Stop	1
24	S082809	O-Ring (-114)	1
25	C117065	Valve-Reverse	1
26	C117057	Bushing-Reverse Valve	1
27	C117058	Lever-Reverse Valve	1
28	CA091533	Pin (1/8" x 3/16")	1
32	C117072	Housing-Motor (Incl: Index Nos. 26 & 45)	1
41	<u>C117050</u>	Gasket-Motor Housing	1
42A	C117071	Handle-Outside Trigger (Incl: Index No. 19)	1
42B	C117866	Handle-Inside Trigger (Incl: Index No. 19) (Not Shown)	1
43	C059641	Plug-Pipe (1/4" Hex)	4
44	S062777	Screw-Cap (Socket Hd.) (5/16"-18 x 1 1/4")	4
45	C095035	Insert-Heli Coil	8
46	S000456	Lockwasher (5/16")	8
54	<u>C075812</u>	Bearing-Ball	1
58	C120682	Plate-End (Rear)	1
60	C117064	Liner	1
61	C117066	Rotor (18 Teeth)	1
62	<u>C117056</u>	Blade-Rotor	6
64	C117048	Pin-Dowel	1

Index No.	Part No.	Description	No. Req'd.
65	C120683	Plate-End (Front)	1
67	<u>C117047</u>	Bearing-Ball	1
70	C117055	Washer-Thrust	1
94	<u>P004254</u>	Ball-1/2" Diameter	1
95	C117061	Coupling-Drive	1
96	C117060	Cam-Dog	1
98	<u>C117068</u>	Dog	1
101	C117051	Seat-Spring	1
102	C117054	Spring-Dog	1
103	C117067	Shaft-Timing	1
105A	<u>C117069</u>	Anvil-Spline (#5) (Incl: Index Nos. 106A, 107A, 109A & 110A)	1
105B	<u>C117620</u>	Anvil-1 1/2" Sq. Dr.	1
106A	<u>C112191</u>	Plunger	1
107A	<u>C047620</u>	Button	1
109	C112185	Spring-Compres. (Long)	1
110	C112202	Spring-Compres. (Short)	1
113	C117610	Housing-Clutch (Incl: Index Nos. 114, 115 & 117)	1
114	C117053	Bushing-Clutch Housing	1
115	<u>C117576</u>	Seal-Grease	1
117	C054897	Plug-Pipe (1/8")	1
118	<u>C117049</u>	Gasket-Clutch Housing	1
120	C134694	Ret Ring (Not Shown)	1
135	C119253	Deflector-Exhaust	1
150	CA048548	Handle-Dead	1
151	C119061	Band-Dead Handle	1
152	P073025	Screw-Allen Cap (1/4"-20 x 5/8)	4
153	S000271	Lockwasher (1/4")	4
	CA144007	Decal-Safety Warning (Not Shown)	1

INDEX

THROTTLE HANDLE

G Closed Grip
Self Closing
Outside Trigger

P Closed Grip
Self Closing
Inside Trigger

MOTOR

A Standard

CLUTCH HOUSING

S Standard Steel

CLUTCH

E 2-Jaw Type

SHANK

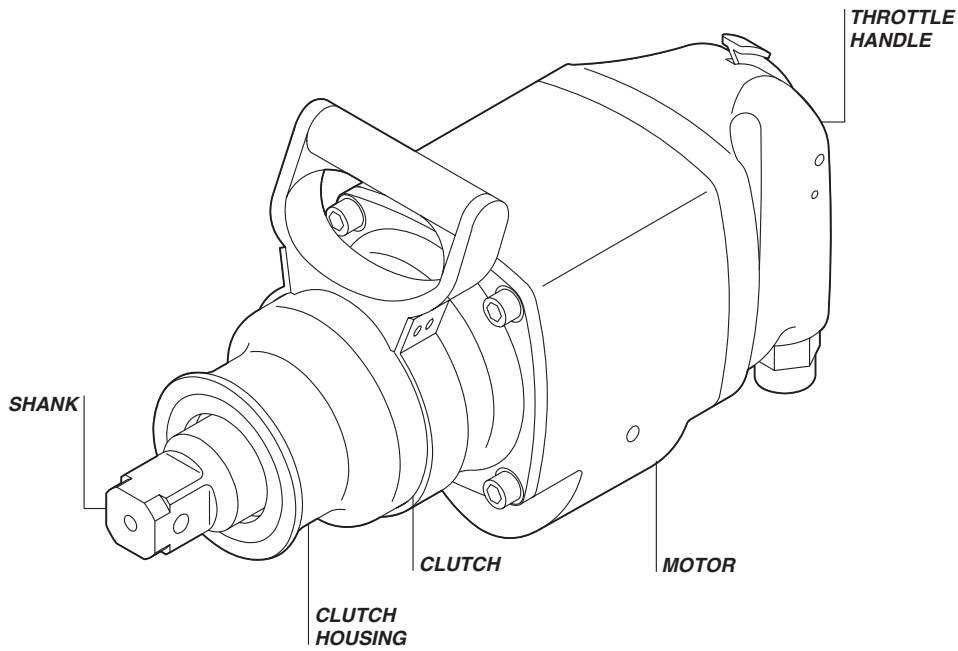
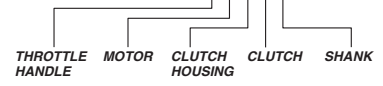
L #5 Spline Dr.
Int. Retainer
Std. Lgth.

D 1-1/2" Sq. Dr.
Pin Hole
Std. Lgth.

Finding information using
your Catalog Code Letter

Example:

CP-6120- GASEL



ACCESSORIES

CP Ret Ring Part Number	Identification No. molded into Ring	Inside Diameter of Ret Ring (in.)	For Use on Square Drive (in.)
C134693	10020S	2-7/8"	1-1/2"
C134694*	10025S	3-3/8"	1-1/2"
C134695	10030S	3-7/8"	1-1/2"
C134696	10035S	4-3/8"	1-1/2"

*Supplied with tool