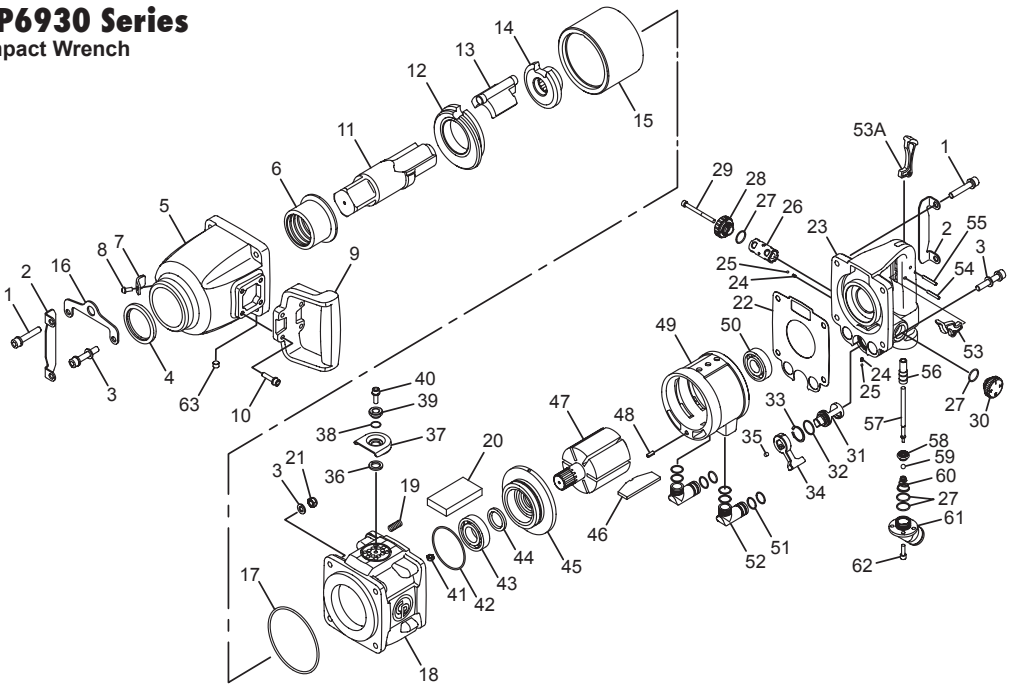


CP6930 Series Impact Wrench



Index No.	Part No.	Description	Qty.	Index No.	Part No.	Description	Qty.
1	2050532273	Bolt Assy	8	35	2050532603	Screw	1
2	2050532283	Protector	2	36	2050532613	Rubber Pad	1
3	2050532293	Flat Washer	8	37	2050532623	Deflector	1
4	2050532303	Oil Seal	1	38	2050532633	O-Ring	1
5	2050532313	Clutch Housing	1	39	2050532643	Washer	1
6	2050532323	Bushing-Clutch Housing	1	40	2050532653	Bolt	1
7	2050532333	Protector	1	41	2050534283	Lock Nut	1
8	2050532343	Bolt Unit	1	42	2050532663	O-Ring	1
9	2050532353	Handle	1	43	2050532673	Bearing	1
10	2050532363	Bolt Assy	4	44	2050532683	Oil Seal	1
11	2050532373	Anvil	1	45	2050532693	Plate-Front End	1
12	2050532383	Washer	1	46	2050532703	Blade Set (6)	1
13	2050532393	Hammer	1	47	2050532713	Rotor	1
14	2050532403	Hammer Cam	1	48	2050532723	Pin	1
15	2050532413	Hammer Frame	1	49	2050532733	Liner	1
16	2050532423	Suspension Hook	1	50	2050532743	Bearing	1
17	2050532433	O-Ring	1	51	2050532753	O-Ring	8
18	2050532443	Housing	1	52	2050532763	Inlet	2
19	2050532453	Thread Insert	4	52A	2050532773	Trigger	1
20	2050532463	Muffler	1	53	2050532783	Trigger	1
21	2050532473	Lock Nut	4	54	2050532793	Spiral Pin	1
22	2050532483	Housing Gasket	1	55	2050532803	Spiral Pin	1
23	2050532493	Rear Cover Assembly	1	56	2050532813	Bushing	1
24	2050524523	Spring	2	57	2050532823	Pin	1
25	2050521923	Steel Ball	2	58	2050532833	Seal Unit	1
26	2050532513	Regulator	1	59	2050532843	Steel Ball	1
27	2050532523	O-Ring	4	60	2050532853	Spring	1
28	2050532533	Throttle A	1	61	2050532863	Air Inlet	1
29	2050532543	Bolt	1	62	2050532873	Bolt Assy	1
30	2050532553	Throttle B	1	63	2050534453	Hex. Soc. Hd. Screw	4
31	2050532563	Reverse Valve	1				
32	2050532573	O-Ring	1				
33	2050532583	Ring	1				
34	2050532593	Lever-Reverse Valve	1				

Tune-Up Kit

2050530353 (Incl. Parts: 4, 17, 20, 22, 27, 32, 42, 44, 46, 51)