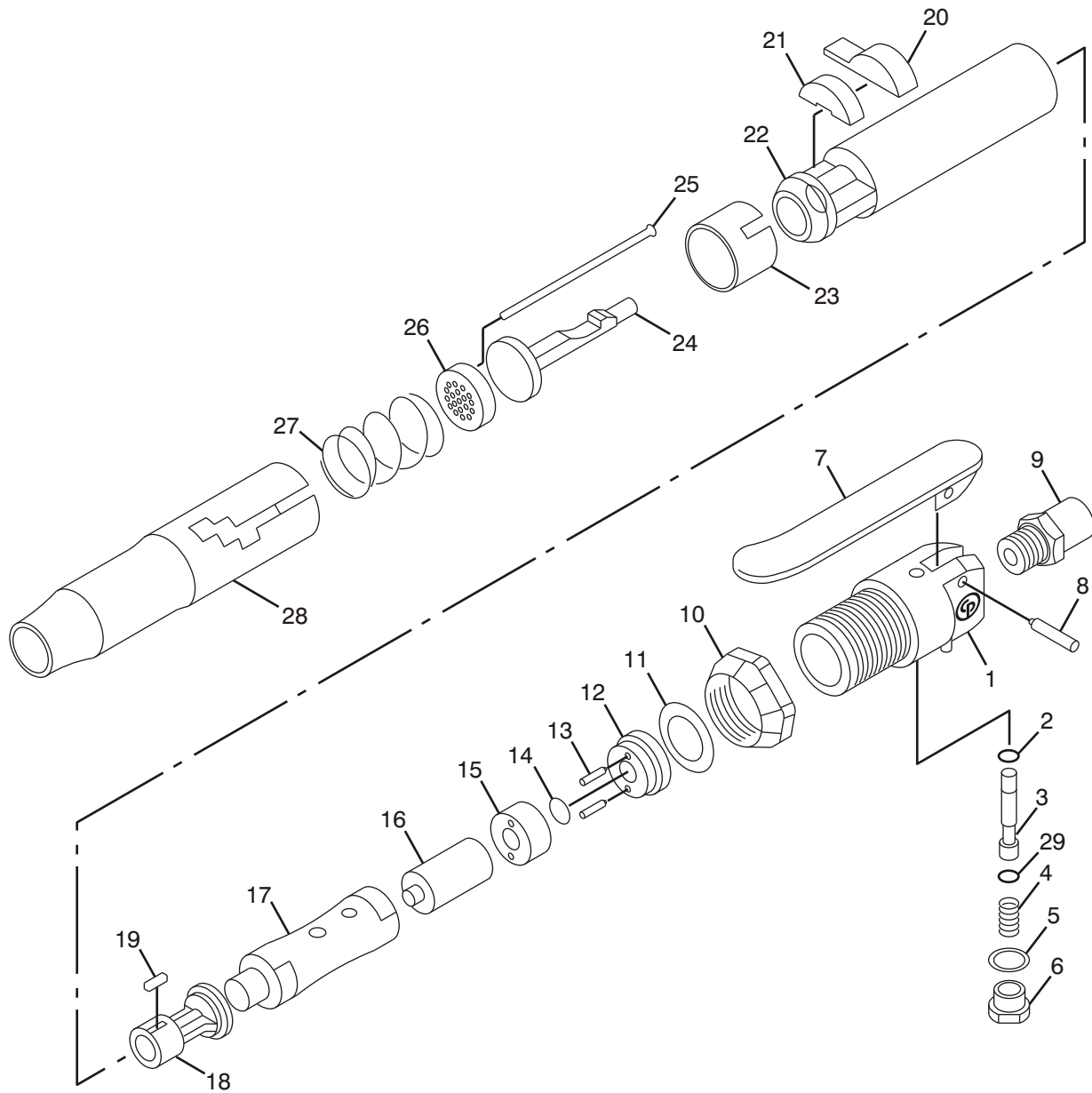




1800 Overview Drive • Rock Hill SC • 29730 USA

CP7120 Needle Scaler



Index No.	Part No.	Description	No. Req'd.	Index No.	Part No.	Description	No. Req'd.
1	8940159836	Backhead	1	16	8940159851	Piston	1
2	8940159837	O-Ring	1	17	8940159852	Barrel Sleeve	1
3	8940159838	Throttle Valve	1	18	8940159853	Nose	1
4	8940159839	Spring	1	19	8940159854	Key	1
5	8940159840	O-Ring	1	20	8940159855	Driver Retainer	1
6	8940159841	Valve Cap	1	21	8940159856	Retainer Buffer	1
7	8940159842	Lever	1	22	8940162094	Barrel	1
8	8940159843	Pin	1	23	8940159858	Retainer Cap	1
9	8940159844	Hose Adapter	1	24	8940159859	Needle Driver	1
10	8940159845	Lock Ring	1	25	8940159860	Needle Set	1
11	8940159846	Alignment Shim	2	26	8940159861	Needle Holder	1
12	8940159847	Rear Valve Block	1	27	8940159862	Spring	1
13	8940159848	Pin	1	28	8940159863	Front Nosepiece	1
14	8940159849	Valve	1	29	8940159864	O-Ring	1
15	8940159850	Front Valve Block	1	30	CA144007	Warning-Decal (Not Shown)	