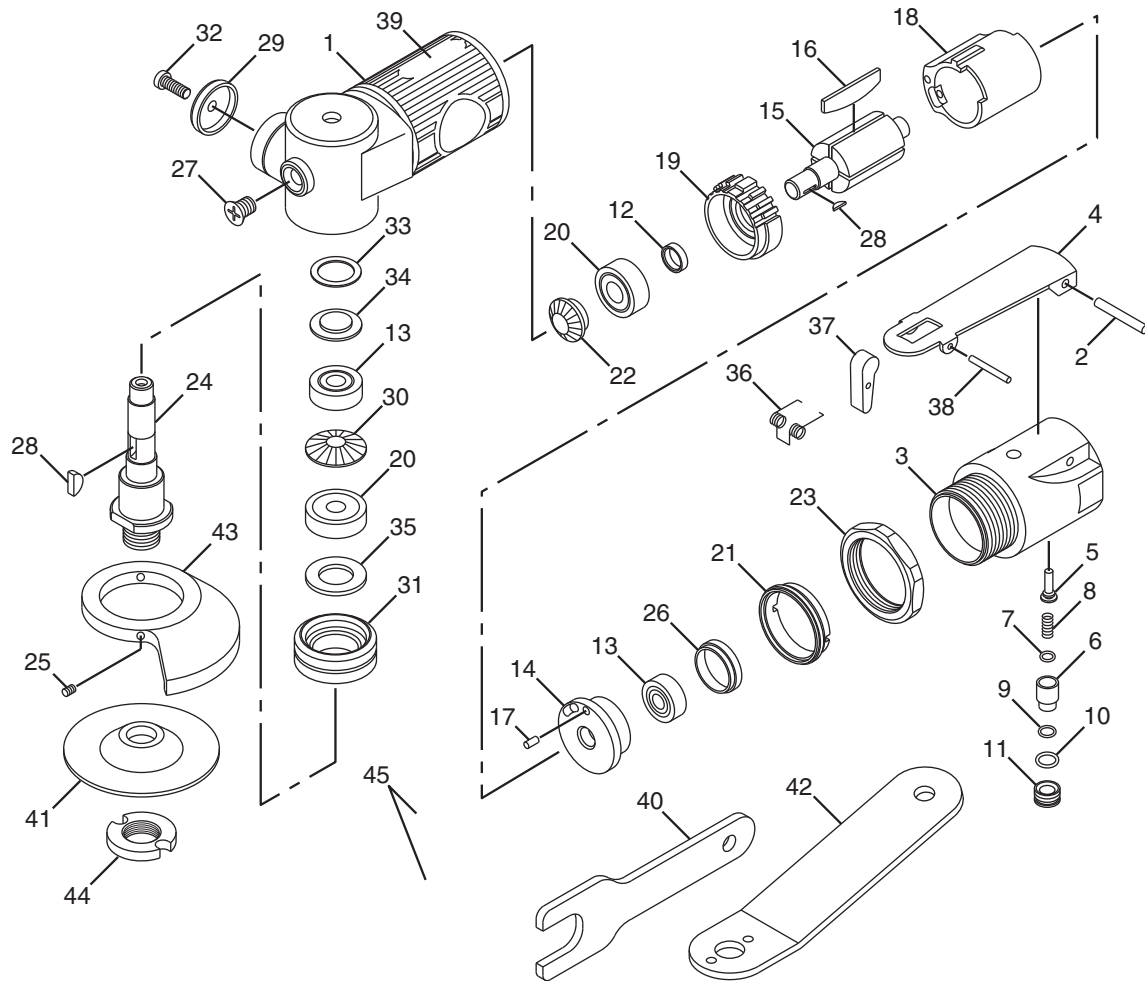




# CP7500 Angle Grinder

1800 Overview Drive • Rock Hill SC • 29730 USA



| Index No. | Part No.   | Description         | No. Req'd. | Index No. | Part No.   | Description            | No. Req'd. |
|-----------|------------|---------------------|------------|-----------|------------|------------------------|------------|
| 1         | 8940162727 | Housing             | 1          | 29        | 8940162748 | Exhaust Cover          | 1          |
| 2         | CA144787   | Spring Pin          | 1          | 30        | 8940162749 | Bevel Gear             | 1          |
| 3         | 8940162728 | Valve Body          | 1          | 31        | 8940162750 | Lock Nut               | 1          |
| 4         | CA144788   | Lever               | 1          | 32        | 8940162751 | Screw                  | 1          |
| 5         | 8940162729 | Valve Stem          | 1          | 33        | 8940162752 | Packing                | 1          |
| 6         | 8940162730 | Adjust Valve        | 1          | 34        | 8940162753 | Bearing Cover          | 1          |
| 7         | KF131709   | O-Ring              | 1          | 35        | 8940162754 | Seal                   | 1          |
| 8         | 8940162731 | Spring              | 1          | 36        | 8940162755 | Spring                 | 1          |
| 9         | 8940162106 | O-Ring              | 1          | 37        | 8940162756 | Lever Bar              | 1          |
| 10        | CA158057   | O-Ring              | 1          | 38        | 8940162757 | Pin                    | 1          |
| 11        | 8940162732 | Throttle Valve Plug | 1          | 39        | 8940162758 | Rubber Grip            | 1          |
| 12        | CA158069   | Spacer              | 1          | 40        | 8940162759 | Spanner                | 1          |
| 13        | 8940162733 | Ball Bearing        | 2          | 41        | 8940162768 | Cutting Wheel 60 Grit  | 1          |
| 14        | 8940162734 | Rear End Plate      | 1          |           | 8940162769 | Cutting Wheel 80 Grit  | 1          |
| 15        | 8940162735 | Rotor               | 1          |           | 8940162770 | Cutting Wheel 120 Grit | 1          |
| 16        | 8940162736 | Rotor Blade (4)     | 1          | 42        | 8940162763 | Pin Wrench             | 1          |
| 17        | 8940162737 | Spring Pin          | 1          | 43        | 8940162764 | Disc Cover             | 1          |
| 18        | 8940162738 | Cylinder            | 1          | 44        | 8940162765 | Nut                    | 1          |
| 19        | 8940162739 | Front End Plate     | 1          | 45        | 8940162787 | Service Tool Kit       | 1          |
| 20        | CA144800   | Ball Bearing        | 2          |           |            |                        |            |
| 21        | 8940162740 | Lock Nut            | 1          |           |            |                        |            |
| 22        | 8940162741 | Pinion Gear         | 1          |           |            |                        |            |
| 23        | 8940162742 | Lock Ring           | 1          |           |            |                        |            |
| 24        | 8940162743 | Spindle             | 1          |           |            |                        |            |
| 25        | 8940162744 | Screw               | 3          |           |            |                        |            |
| 26        | 8940162745 | Cap                 | 1          |           |            |                        |            |
| 27        | 8940162746 | Screw               | 1          |           |            |                        |            |
| 28        | 8940162747 | Key                 | 2          |           |            |                        |            |

**8940162768**  
Cutting Wheel 60 Grit  
**8940162769**  
Cutting Wheel 80 Grit  
**8940162770**  
Cutting Wheel 120 Grit