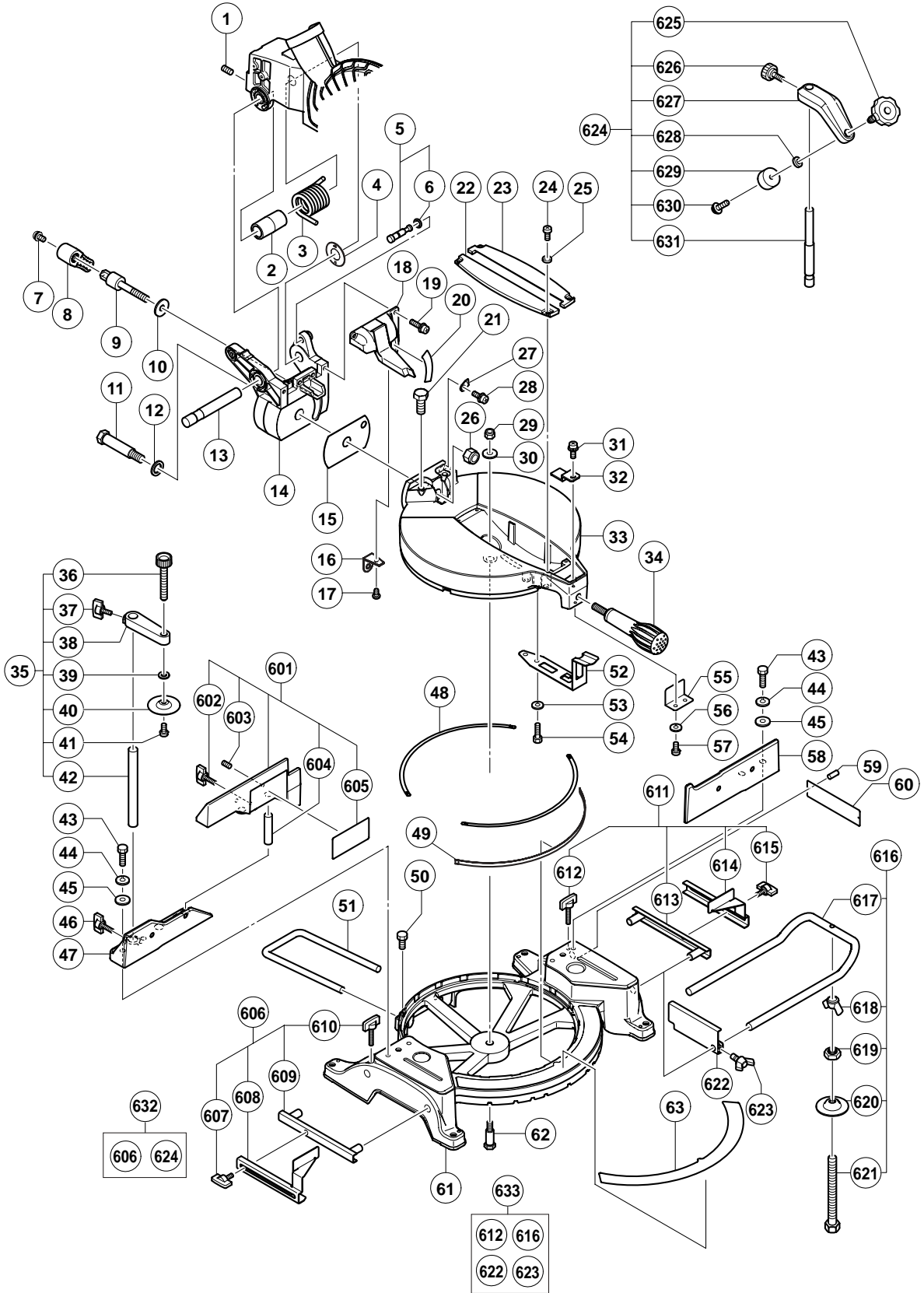
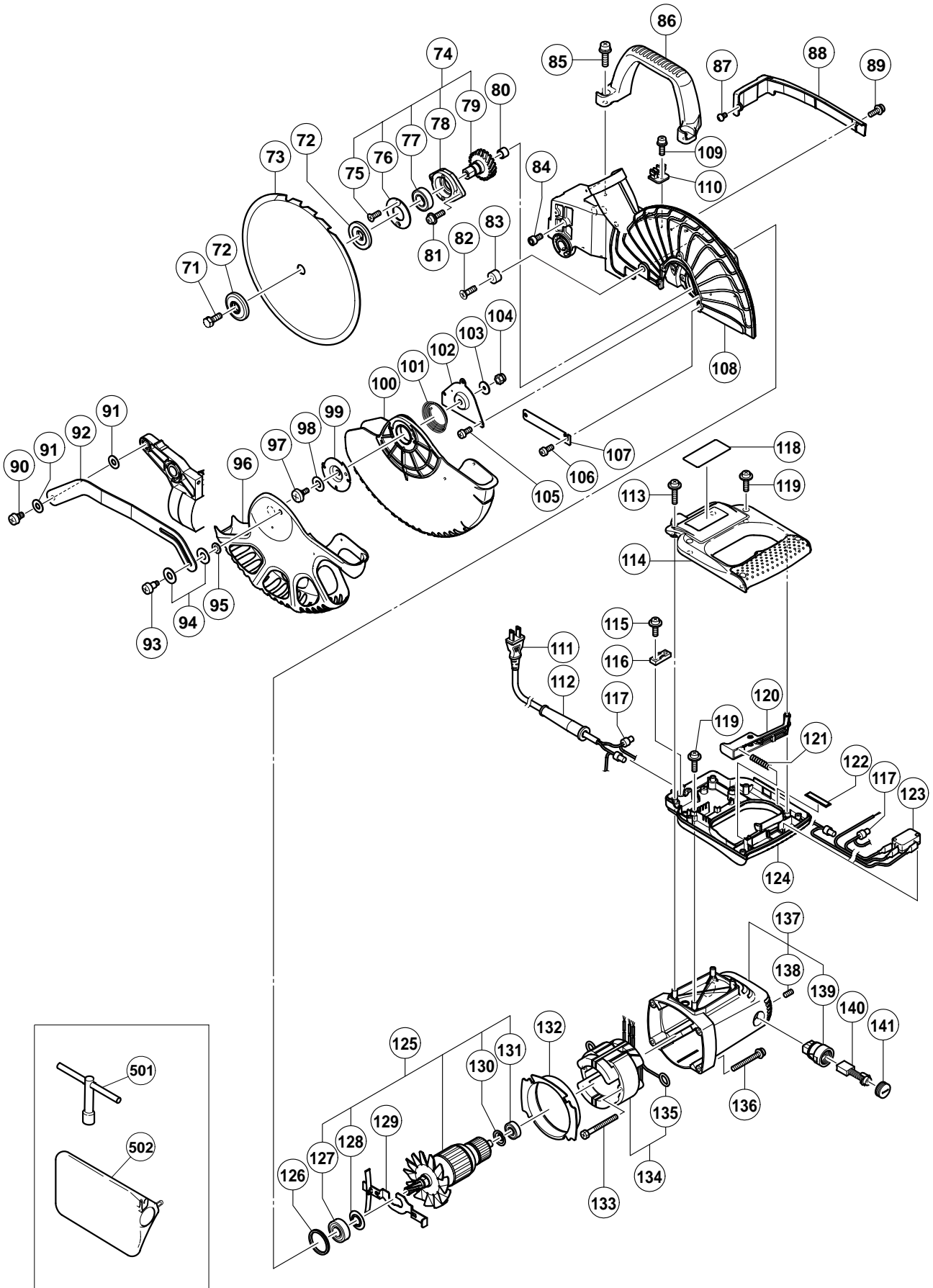


## ELECTRIC TOOL PARTS LIST

■ **COMPOUND SAW**  
**Model C 10FCE**

**2004 • 4 • 20**  
**(E1)**





## PARTS

C 10FCE

ITEM NO.	CODE NO.	DESCRIPTION	NO. USED	REMARKS
1	307-956	SEAL LOCK HEX. SOCKET SET SCREW M6X10	1	
2	322-889	SLEEVE	1	
3	322-890	SPRING	1	
4	322-965	LINER (D)	1	
5	302-518	STOPPER PIN ASS'Y	1	INCLUD. 6
6	984-528	O-RING (P-6)	1	
7	997-314	MACHINE SCREW (W/WASHERS) M6X10	1	
8	322-935	CLAMP LEVER	1	
9	322-936	BOLT (LEFT HAND) M10	1	
10	318-934	SPECIAL WASHER	1	
11	322-933	SHAFT (D)	1	
12	322-934	WASHER M16	1	
13	322-888	SHAFT (C)	1	
14	322-932	HINGE	1	
15	322-937	LINER (B)	1	
16	322-963	DUST GUIDE HOLDER	1	
17	949-215	MACHINE SCREW M4X8 (10 PCS.)	1	
18	322-891	DUST GUIDE ASS'Y	1	INCLUD. 16, 17, 20
19	990-541	MACHINE SCREW (W/WASHERS) M5X16	2	
20	322-892	SCALE (B)	1	
21	303-409	NYLOCK BOLT M8X25	2	
22	322-930	TABLE INSERT (B)	1	
23	322-929	TABLE INSERT (A)	1	
24	949-217	MACHINE SCREW M4X12 (10 PCS.)	4	
25	949-429	BOLT WASHER M4 (10 PCS.)	4	
26	680-418	NYLON NUT M12	1	
27	322-893	INDICATOR (B)	1	
28	304-043	MACHINE SCREW (W/WASHERS) M4X10 (BLACK)	1	
29	975-348	NYLON NUT M8	1	
30	318-929	WASHER (F)	1	
31	304-043	MACHINE SCREW (W/WASHERS) M4X10 (BLACK)	1	
32	322-904	INDICATOR (A)	1	
33	322-897	TURN TABLE	1	
34	322-898	SIDE HANDLE	1	
35	322-952	WISE ASS'Y	1	INCLUD. 36-42
36	302-522	KNOB BOLT M10X66	1	
37	301-806	WING BOLT M6X15	1	
38		SCREW HOLDER	1	
39	949-432	BOLT WASHER M6 (10 PCS.)	1	
40	302-532	WISE PLATE	1	
41	949-216	MACHINE SCREW M4X10 (10 PCS.)	1	
42	322-954	WISE SHAFT	1	
43	307-221	BOLT (W/WASHERS) M8X35 (BLACK)	4	
44	949-457	SPRING WASHER M8 (10 PCS.)	4	
45	949-433	BOLT WASHER M8 (10 PCS.)	4	
46	301-806	WING BOLT M6X15	1	
47	322-906	FENCE (B)	1	
48	322-901	LINER (A)	2	
49	322-964	LINER (C)	1	
50	949-610	BOLT M6X10 (10 PCS.)	1	
51	322-910	HOLDER	1	

## PARTS

C 10FCE

ITEM NO.	CODE NO.	DESCRIPTION	NO. USED	REMARKS
52	322-903	SPRING PLATE	1	
53	949-457	SPRING WASHER M8 (10 PCS.)	2	
54	949-655	HEX. SOCKET HD. BOLT M8X16 (10 PCS.)	2	
55	322-899	SPACER	1	
56	949-453	SPRING WASHER M4 (10 PCS.)	2	
57	949-215	MACHINE SCREW M4X8 (10 PCS.)	2	
58	322-905	FENCE (A)	1	
59	949-510	RIVET D2.5X4.8 (10 PCS.)	2	
60	322-896	WARNING LABEL (A)	1	
61	322-967	BASE ASS'Y	1	INCLUD. 59, 60, 63
62	322-902	SHAFT (B)	1	
63	322-895	SCALE (A)	1	
71	998-335	BOLT (LEFT HAND) W/WASHER M7X17.5	1	
72	308-789	WASHER (D)	2	
73	310-878	TCT SAW BLADE 255MM-D15.88 HOLE-NT24	1	
74	323-133	SPINDLE ASS'Y	1	INCLUD. 75-79
75	990-430	SEAL LOCK FLAT HD. SCREW M4X10	2	
76	322-919	BEARING COVER	1	
77	600-3VV	BALL BEARING 6003VVCMP2L	1	
78	322-918	BEARING HOLDER	1	
79	322-917	SPINDLE AND GEAR SET	1	
80	982-027	NEEDLE BEARING (HK1010)	1	
81	987-512	MACHINE SCREW (W/SP. WASHER) M5X16	2	
82	949-340	FLAT HD. SCREW M6X16 (10 PCS.)	1	
83	961-729	CUSHION	1	
84	949-819	HEX. SOCKET HD. BOLT M5X10 (10 PCS.)	1	
85	951-893	MACHINE SCREW (W/WASHERS) M6X20	2	
86	322-924	HANDLE	1	
87	949-215	MACHINE SCREW M4X8 (10 PCS.)	1	
88	322-931	GEAR CASE COVER	1	
89	993-539	MACHINE SCREW (W/WASHERS) M4X16	1	
90	322-950	SPECIAL SCREW M6	1	
91	322-948	WASHER M7	2	
92	322-949	LINK	1	
93	322-947	SPECIAL SCREW (C) M5	1	
94	322-938	WASHER M10	2	
95	949-454	SPRING WASHER M5 (10 PCS.)	1	
96	322-968	PROTECTIVE COVER (B)	1	
97	322-943	SPECIAL SCREW (B) M5	1	
98	322-944	WASHER M8	1	
99	322-942	COVER PLATE (B)	1	
100	322-939	PROTECTIVE COVER (A)	1	
101	322-946	RETURN SPRING	1	
102	322-941	COVER PLATE (A)	1	
103	322-945	WASHER M5	1	
104	877-371	NYLON NUT M5	1	
105	949-215	MACHINE SCREW M4X8 (10 PCS.)	3	
106	949-215	MACHINE SCREW M4X8 (10 PCS.)	2	
107	322-951	SPINDLE COVER	1	
108	323-218	GEAR CASE ASS'Y	1	INCLUD. 80
109	935-196	MACHINE SCREW (W/WASHERS) M4X12 (BLACK)	1	



## STANDARD ACCESSORIES

C 10FCE

ITEM NO.	CODE NO.	DESCRIPTION	NO. USED	REMARKS
501	940-543	BOX WRENCH 10MM	1	
502	998-845	DUST BAG	1	

## OPTIONAL ACCESSORIES

ITEM NO.	CODE NO.	DESCRIPTION	NO. USED	REMARKS
601	322-711	SUB FENCE ASS'Y	1	INCLUD. 602-605
602	322-959	WING BOLT M6X22	1	
603	987-860	SEAL LOCK HEX. SOCKET SET SCREW M6X6	2	
604	322-958	PIN	2	
605		WARNING LABEL (C)	1	
606	322-713	CROWN MOLDING STOPPER (L) ASS'Y	1	INCLUD. 607-610
607	301-806	WING BOLT M6X15	1	
608		CROWN MOLDING STOPPER (L)	1	
609	321-390	CROWN MOLDING STOPPER HOLDER	1	
610	316-030	WING BOLT M6X52	1	
611	322-714	CROWN MOLDING STOPPER (R) ASS'Y	1	INCLUD. 612-615
612	316-030	WING BOLT M6X52	2	
613	321-390	CROWN MOLDING STOPPER HOLDER	1	
614		CROWN MOLDING STOPPER (R)	1	
615	301-806	WING BOLT M6X15	1	
616	322-956	HOLDER ASS'Y	1	INCLUD. 617-621
617	321-549	HOLDER	1	
618	949-313	WING NUT M6 (10 PCS.)	1	
619	949-556	NUT M6 (10 PCS.)	1	
620	322-047	WISE PLATE	1	
621	323-134	HIGH TENSION BOLT M6X80	1	
622	974-561	STOPPER	1	
623	949-404	WING BOLT M6X20 (10 PCS.)	1	
624	322-957	WISE (B) ASS'Y	1	INCLUD. 625-631
625	321-551	KNOB BOLT M10X54	1	
626	998-836	KNOB BOLT M6X11	1	
627		SCREW HOLDER (B)	1	
628	306-985	WASHER (H)	1	
629	964-851	BASE RUBBER	1	
630	304-043	MACHINE SCREW (W/WASHERS) M4X10 (BLACK)	1	
631	318-967	WISE SHAFT	1	
632	322-712	CROWN MOLDING WISE ASS'Y	1	INCLUD. 606, 624
633	322-710	GUIDE ASS'Y	1	INCLUD. 612, 616, 622, 623
634	976-472	TCT SAW BLADE CROSS-CUT 255MM-D15.9 HOLE	1	
635	319-658	TCT SAW BLADE 255MM-D15.88 HOLE-NT100	1	