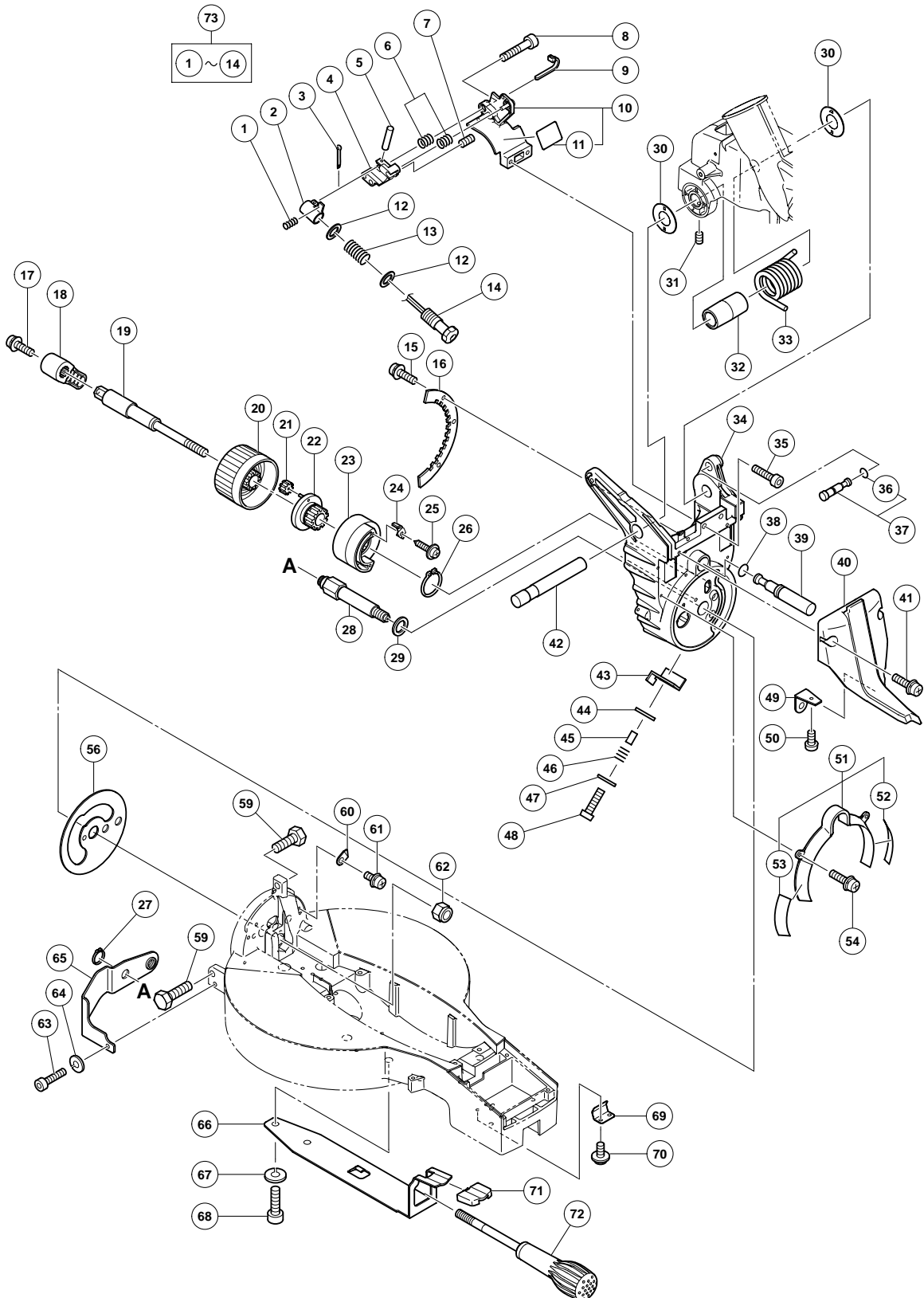


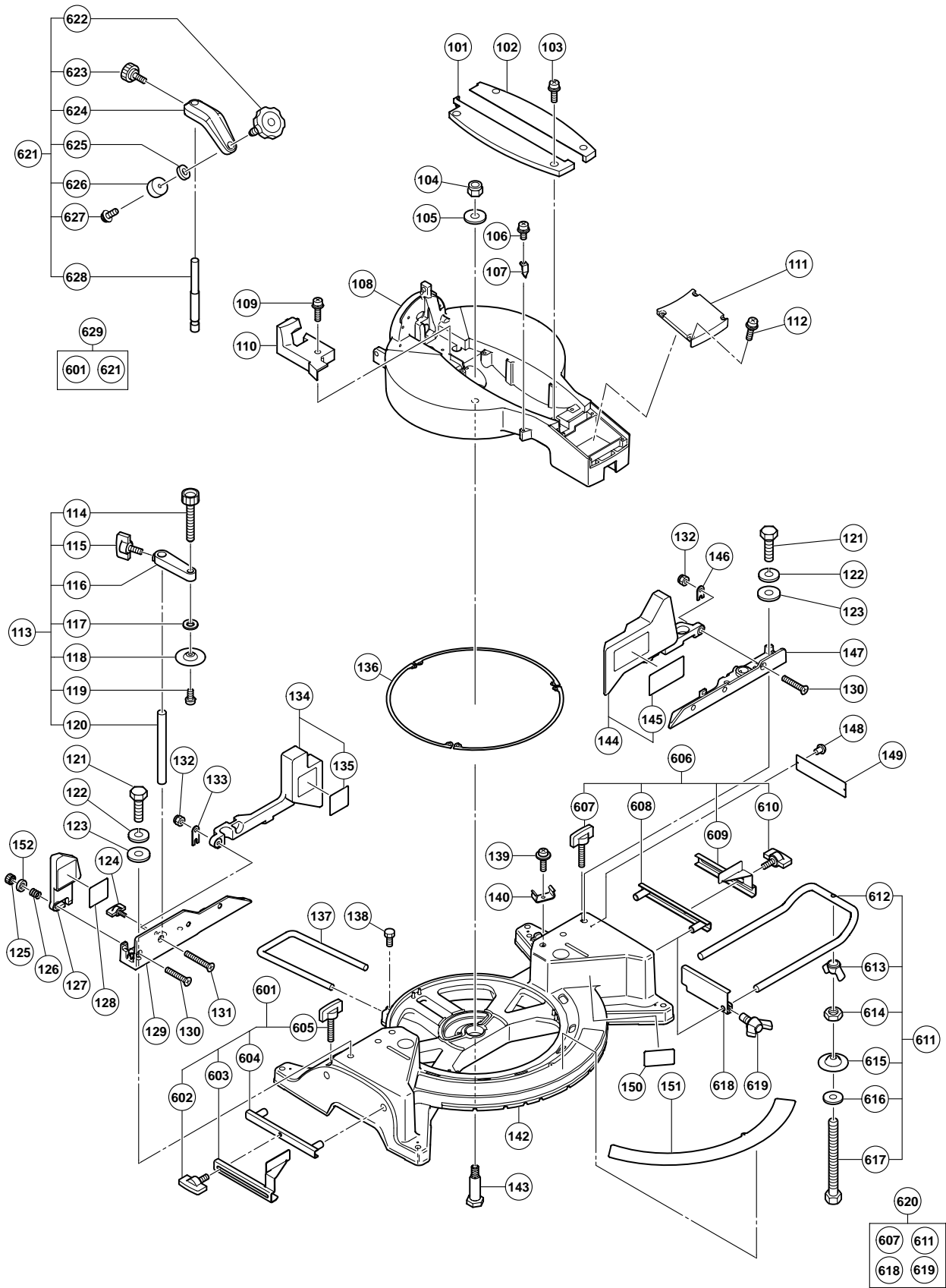
## ELECTRIC TOOL PARTS LIST

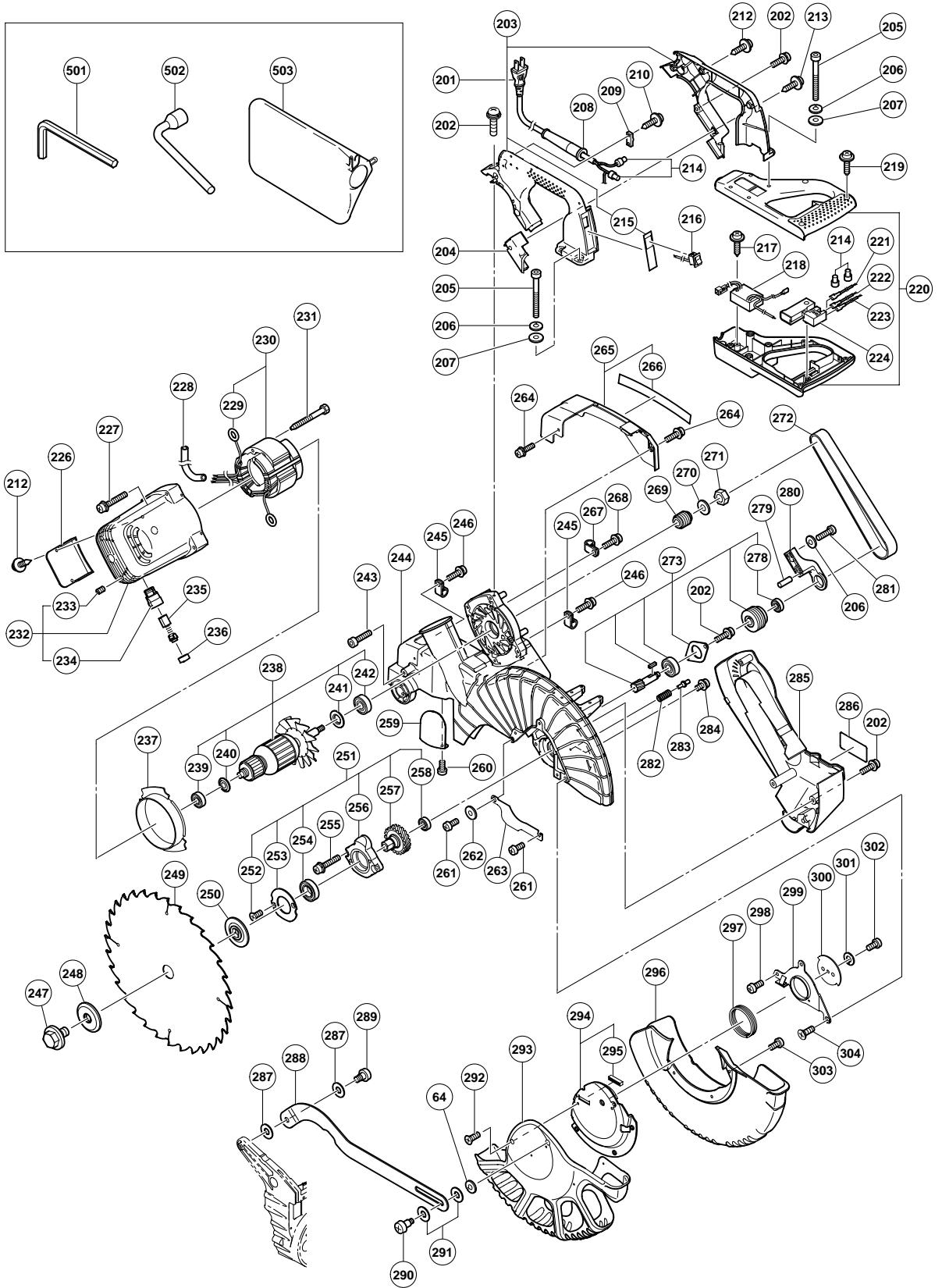
### COMPOUND MITER SAW Model C 12FDH

2005 • 10 • 5

(E1)







**PARTS**

C 12FDH

ITEM NO.	CODE NO.	DESCRIPTION	NO. USED	REMARKS
1	323-141	SPRING (B)	1	
2	323-137	LASER HOLDER (A)	1	
3	949-531	SPLIT PIN D2X12 (10 PCS.)	1	
4	323-138	LASER HOLDER (B)	1	
5	949-900	ROLL PIN D3X14 (10 PCS.)	1	
6	323-142	SPRING (C)	2	
7	962-782	HEX. SOCKET SET SCREW M5X6	1	
8	323-144	SPECIAL BOLT M5	1	
9	975-144	CABLE TIE	1	
10	323-139	LASER BASE ASS'Y	1	INCLUD. 11
11		CAUTION LABEL (A)	1	
12	323-143	WASHER	2	
13	323-140	SPRING (A)	1	
14	324-711	LASER MODULE (A)	1	
15	990-541	MACHINE SCREW (W/WASHERS) M5X16	3	
16	324-971	RACK	1	
17	323-208	MACHINE SCREW (W/WASHERS) M6X20 (BLACK)	1	
18	322-935	CLAMP LEVER	1	
19	325-032	BOLT (LEFT HAND) M10	1	
20	325-033	KNOB (A)	1	
21	325-035	PLANET GEAR	3	
22	325-036	PINION (A)	1	
23	325-034	RING GEAR	1	
24	325-037	PLATE (H)	2	
25	307-811	TAPPING SCREW (W/FLANGE) D4X16 (BLACK)	2	
26	962-553	RETAINING RING FOR D28 SHAFT	1	
27	939-542	RETAINING RING FOR D12 SHAFT (10 PCS.)	1	
28	325-030	SHAFT (D)	1	
29	322-934	WASHER M16	1	
30	323-684	LINER (D)	2	
31	307-956	SEAL LOCK HEX. SOCKET SET SCREW M6X10	1	
32	323-594	SLEEVE	1	
33	323-595	SPRING (A)	1	
34	325-279	HINGE	1	
35	949-660	HEX. SOCKET HD. BOLT M6X20 (10 PCS.)	2	
36	984-528	O-RING (P-6)	1	
37	302-518	STOPPER PIN ASS'Y	1	INCLUD. 36
38	996-407	O-RING (1AP-12)	1	
39	325-028	SET PIN	1	
40	324-973	DUST GUIDE ASS'Y	1	INCLUD. 49, 50
41	990-541	MACHINE SCREW (W/WASHERS) M5X16	2	
42	323-593	SHAFT (C)	1	
43	325-029	BEVEL PLATE	1	
44	949-432	BOLT WASHER M6 (10 PCS.)	1	
45	303-006	SPACER D4X10	1	
46	323-142	SPRING (C)	1	
47	949-423	WASHER M4 (10 PCS.)	1	
48	949-221	MACHINE SCREW M4X20 (10 PCS.)	1	
49	322-963	DUST GUIDE HOLDER	1	
50	949-214	MACHINE SCREW M4X6 (10 PCS.)	1	
51	324-960	SCALE PLATE ASS'Y	1	INCLUD. 52, 53

**PARTS**

C 12FDH

ITEM NO.	CODE NO.	DESCRIPTION	NO. USED	REMARKS
52	324-961	SCALE (D)	1	
53	324-962	SCALE (E)	1	
54	993-539	MACHINE SCREW (W/WASHERS) M4X16	2	
56	324-978	LINER (B)	1	
59	325-019	NYLOCK HEX. SOCKET HD. BOLT M8X20	3	
60	324-974	INDICATOR (B)	2	
61	304-043	MACHINE SCREW (W/WASHERS) M4X10 (BLACK)	2	
62	680-418	NYLON NUT M12	1	
63	949-821	HEX. SOCKET HD. BOLT M5X16 (10 PCS.)	1	
64	949-454	SPRING WASHER M5 (10 PCS.)	2	
65	325-031	HINGE PLATE	1	
66	323-627	SPRING PLATE	1	
67	949-457	SPRING WASHER M8 (10 PCS.)	2	
68	949-655	HEX. SOCKET HD. BOLT M8X16 (10 PCS.)	2	
69	323-609	SPACER (A)	1	
70	307-635	MACHINE SCREW (W/SP. WASHER) M4X10	2	
71	324-987	PLATE CAP	1	
72	323-680	SIDE HANDLE	1	
73	323-646	LASER HOLDER ASS'Y	1	INCLUD. 1-10, 12-14
101	325-046	TABLE INSERT (A)	1	
102	323-649	TABLE INSERT (B)	1	
103	990-541	MACHINE SCREW (W/WASHERS) M5X16	4	
104	975-348	NYLON NUT M8	1	
105	318-929	WASHER (F)	1	
106	304-043	MACHINE SCREW (W/WASHERS) M4X10 (BLACK)	1	
107	318-927	INDICATOR (A)	1	
108	325-277	TURN TABLE	1	
109	993-539	MACHINE SCREW (W/WASHERS) M4X16	1	
110	325-021	CORD COVER (A)	1	
111	323-693	MONITOR CASE (B)	1	
112	993-539	MACHINE SCREW (W/WASHERS) M4X16	4	
113	323-677	WISE ASS'Y	1	INCLUD. 114-120
114	323-678	KNOB BOLT	1	
115	301-806	WING BOLT M6X15	1	
116		SCREW HOLDER	1	
117	949-432	BOLT WASHER M6 (10 PCS.)	1	
118	302-532	WISE PLATE	1	
119	949-216	MACHINE SCREW M4X10 (10 PCS.)	1	
120	322-954	WISE SHAFT	1	
121	949-678	BOLT M8X35 (10 PCS.)	4	
122	949-457	SPRING WASHER M8 (10 PCS.)	4	
123	949-433	BOLT WASHER M8 (10 PCS.)	4	
124	301-806	WING BOLT M6X15	1	
125	324-995	KNOB (B)	1	
126	323-142	SPRING (C)	1	
127	324-993	SUB FENCE (C) ASS'Y	1	INCLUD. 128
128		WARNING LABEL (O)	1	
129	325-049	FENCE (B)	1	
130	949-342	FLAT HD. SCREW M6X25 (10 PCS.)	2	
131	949-795	FLAT HD. SCREW M6X35 (10 PCS.)	1	
132	311-144	NYLON NUT M6	2	

## PARTS

C 12FDH

ITEM NO.	CODE NO.	DESCRIPTION	NO. USED	REMARKS
133	324-994	PLATE (D) 35MM	1	
134	325-271	SUB FENCE (B) ASS'Y	1	INCLUD. 135
135		WARNING LABEL (L)	1	
136	323-625	LINER (A)	3	
137	322-910	HOLDER	1	
138	949-610	BOLT M6X10 (10 PCS.)	1	
139	987-512	MACHINE SCREW (W/SP. WASHER) M5X16	1	
140	323-605	HOOK	1	
142	324-965	BASE ASS'Y	1	INCLUD. 148-151
143	323-626	SHAFT (B)	1	
144	325-270	SUB FENCE (A) ASS'Y	1	INCLUD. 145
145		WARNING LABEL (M)	1	
146	324-990	PLATE (D) 24.5MM	1	
147	324-988	FENCE (A)	1	
148	949-510	RIVET D2.5X4.8 (10 PCS.)	2	
149		WARNING LABEL (A)	1	
150		CAUTION LABEL (C)	1	
151	323-692	SCALE (A)	1	
152	949-432	BOLT WASHER M6 (10 PCS.)	1	
201	325-048	CORD	1	(CORD ARMOR D10.7)
202	990-541	MACHINE SCREW (W/WASHERS) M5X16	7	
203	324-964	HANDLE ASS'Y	1	INCLUD. 215
204	325-022	CORD COVER (B)	1	
205	949-828	HEX. SOCKET HD. BOLT M5X70 (10 PCS.)	4	
206	949-431	BOLT WASHER M5 (10 PCS.)	4	
207	949-454	SPRING WASHER M5 (10 PCS.)	6	
208	940-778	CORD ARMOR D10.7	1	
209	937-631	CORD CLIP	1	
210	984-750	TAPPING SCREW (W/FLANGE) D4X16	2	
212	307-811	TAPPING SCREW (W/FLANGE) D4X16 (BLACK)	5	
213	307-811	TAPPING SCREW (W/FLANGE) D4X16 (BLACK)	1	
214	959-141	CONNECTOR 50092 (10 PCS.)	4	
215	324-966	SWITCH LABEL (B)	1	
216	323-634	SWITCH (A) (1P TYPE)	1	
217	984-750	TAPPING SCREW (W/FLANGE) D4X16	1	
218	325-280	SWITCHING POWER SUPPLY	1	
219	301-653	TAPPING SCREW (W/FLANGE) D4X20 (BLACK)	3	
220	325-043	SWITCH HANDLE (A).(B) SET	1	
221	325-261	INTERNAL WIRE (A) (BLUE)	1	
222	325-262	INTERNAL WIRE (A) (YELLOW)	1	
223	325-263	INTERNAL WIRE (A) (BLACK)	1	
224	324-998	SWITCH (3P FASTON TYPE) W/O LOCK	1	
226	325-002	HOUSING COVER	1	
227	322-123	MACHINE SCREW (W/WASHERS) M5X40 (BLACK)	4	
228	325-000	VINYL TUBE	1	
229	937-623	BRUSH TERMINAL	2	
230	340-648D	STATOR ASS'Y 120V	1	INCLUD. 229
231	953-174	HEX. HD. TAPPING SCREW D5X55	2	
232	325-045	HOUSING ASS'Y	1	INCLUD. 233, 234
233	938-477	HEX. SOCKET SET SCREW M5X8	2	
234	938-241	BRUSH HOLDER	1	

**PARTS**

C 12FDH

ITEM NO.	CODE NO.	DESCRIPTION	NO. USED	REMARKS
235	999-038	CARBON BRUSH (1 PAIR)	1	
236	945-161	BRUSH CAP	1	
237	322-915	FAN GUIDE	1	
238	360-743U	ARMATURE ASS'Y 120V	1	INCLUD. 239-242
239	600-0VV	BALL BEARING 6000VVCMP2L	1	
240	302-428	WASHER (A)	1	
241	325-003	DUST WASHER (B)	1	
242	620-1VV	BALL BEARING 6201VVCMP2L	1	
243	949-755	HEX. SOCKET HD. BOLT M6X16 (10 PCS.)	1	
244	325-004	GEAR CASE	1	
245	980-523	NYLON CLIP	2	
246	935-196	MACHINE SCREW (W/WASHERS) M4X12 (BLACK)	2	
247	988-101	BOLT (A) M10	1	
248	323-652	WASHER (B)	1	
249		TCT SAW BLADE 305MM-D25.4 HOLE-NT32	1	
250	325-023	WASHER (A)	1	
251	325-005	SPINDLE ASS'Y	1	INCLUD. 252-254, 256-258
252	318-363	FLAT HD. SCREW M4X10 (BLACK)	2	
253	325-008	BEARING COVER (A)	1	
254	690-4DD	BALL BEARING 6904DDPS2L	1	
255	323-208	MACHINE SCREW (W/WASHERS) M6X20 (BLACK)	2	
256	325-007	BEARING HOLDER (A)	1	
257	325-006	SPINDLE AND GEAR SET	1	
258	608-VVM	BALL BEARING 608VVC2PS2L	1	
259	322-926	LASER COVER (A)	1	
260	949-216	MACHINE SCREW M4X10 (10 PCS.)	1	
261	323-040	MACHINE SCREW M5X10 (BLACK)	2	
262	949-431	BOLT WASHER M5 (10 PCS.)	1	
263	323-675	SPINDLE COVER	1	
264	993-539	MACHINE SCREW (W/WASHERS) M4X16	2	
265	325-047	GEAR CASE COVER ASS'Y	1	INCLUD. 266
266	323-654	CAUTION LABEL (B)	1	
269	324-443	PULLEY (A)	1	
270	961-157	SUPER LOCK WASHER	1	
271	949-560	NUT M10 (10 PCS.)	1	
272	324-427	BELT (200H10) 16X508	1	
273	325-009	PINION ASS'Y	1	INCLUD. 278
278	608-VVM	BALL BEARING 608VVC2PS2L	1	
279	983-545	NEEDLE ROLLER	2	
280	325-259	BEARING HOLDER (B)	1	
281	949-241	MACHINE SCREW M5X20 (10 PCS.)	2	
282	325-018	SPRING	1	
283	325-017	STOPPER PIN (B)	1	
284	304-043	MACHINE SCREW (W/WASHERS) M4X10 (BLACK)	1	
285	325-016	PULLEY COVER	1	
286		NAME PLATE	1	
287	322-948	WASHER M7	2	
288	325-041	LINK	1	
289	322-950	SPECIAL SCREW M6	1	
290	322-947	SPECIAL SCREW (C) M5	1	
291	322-938	WASHER M10	2	





