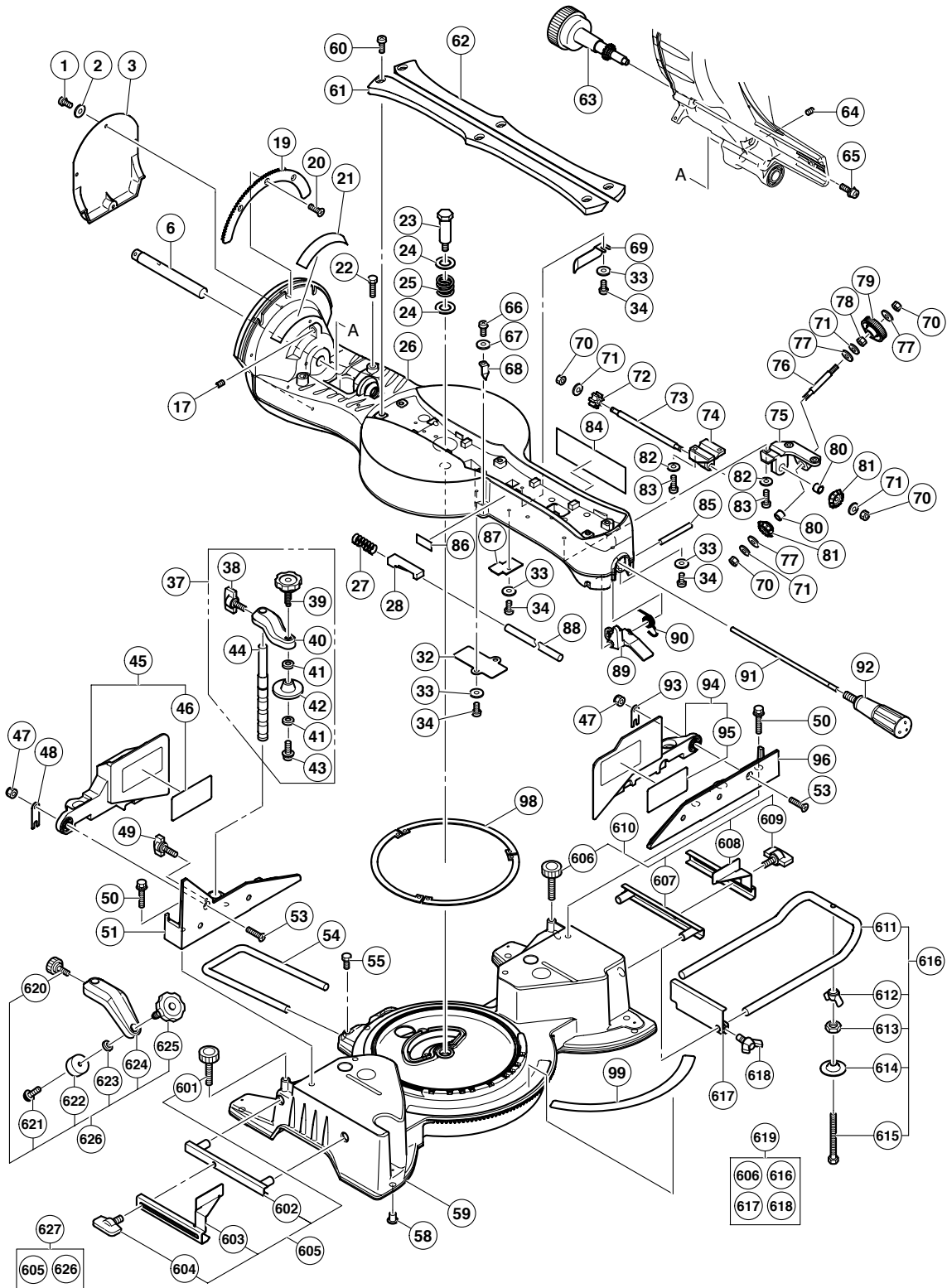
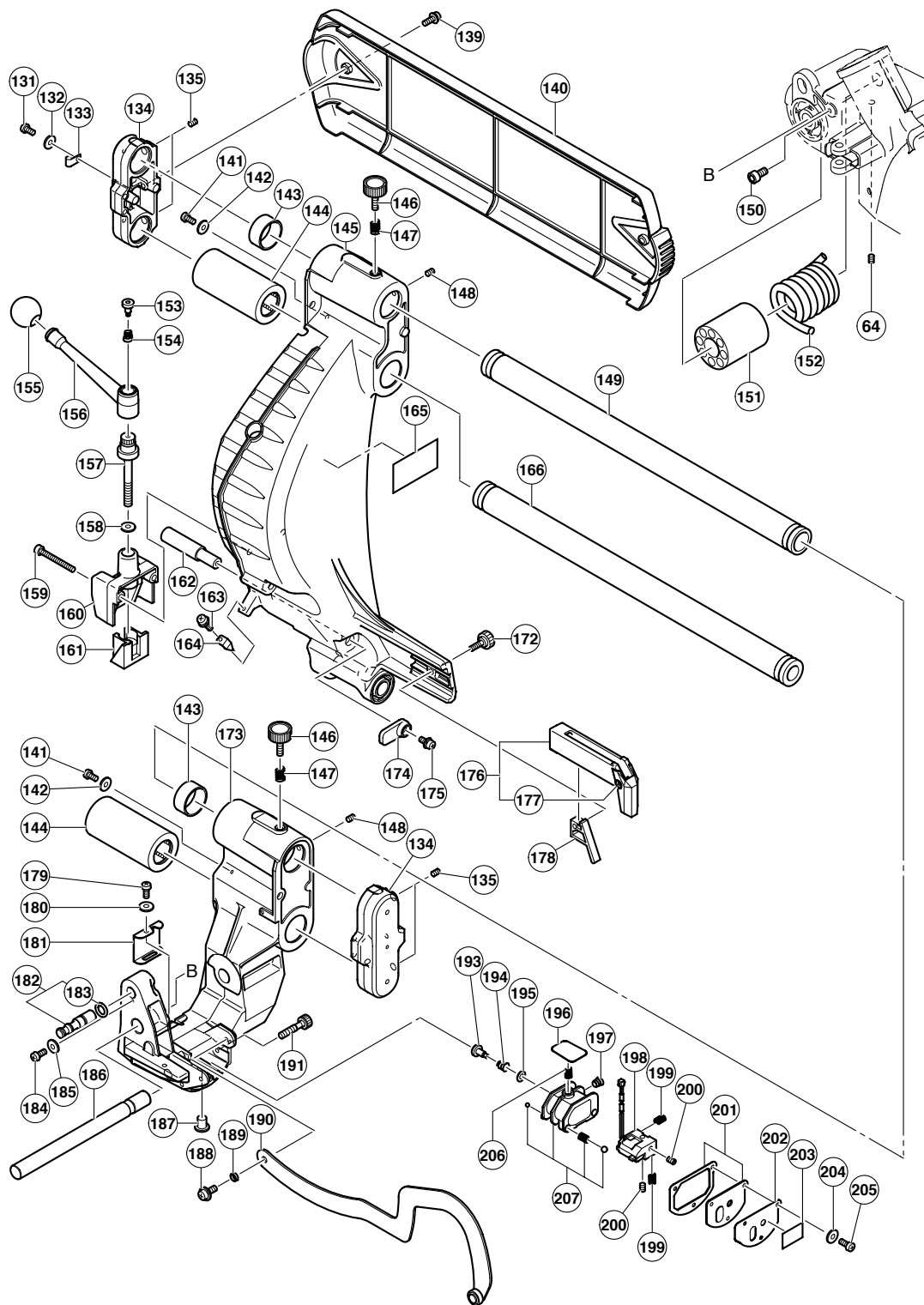
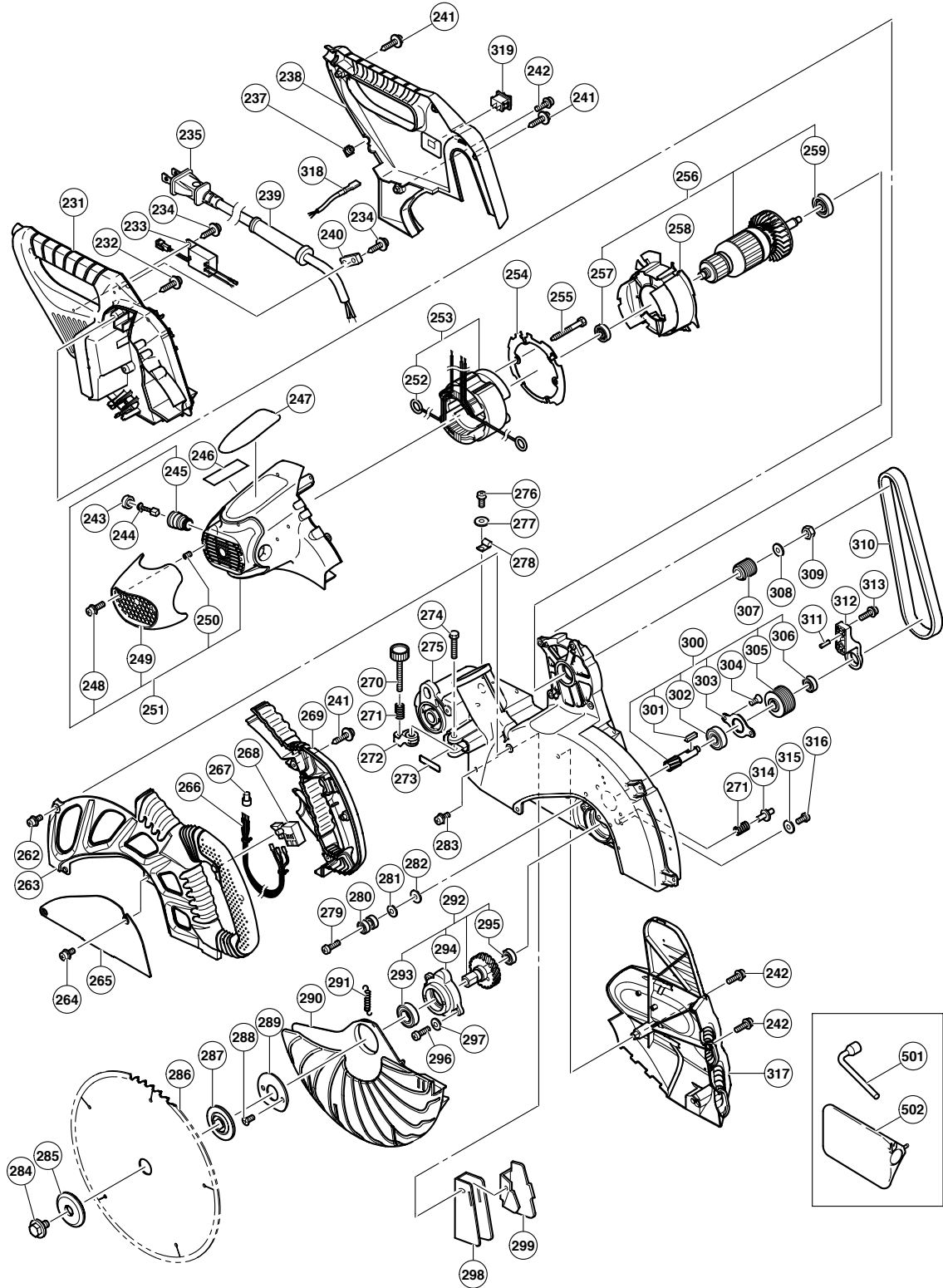


ELECTRIC TOOL PARTS LIST

SLIDE COMPOUND MITER SAW 2005 · 5 · 20 Model C 12RSH (E1)







PARTS

C 12RSH

ITEM NO.	CODE NO.	DESCRIPTION	NO. USED	REMARKS
1	949-217	MACHINE SCREW M4X12 (10 PCS.)	4	
2	949-429	BOLT WASHER M4 (10 PCS.)	4	
3	324-371	COVER (B)	1	
6	324-391	HOLDER SHAFT	1	
17	324-612	NYLOCK HEX. SOCKET SET SCREW M8X16	1	
19	324-399	GEAR (A)	1	
20	949-325	FLAT HD. SCREW M4X16 (10 PCS.)	3	
21	324-416	SCALE (B)	1	
22	303-409	NYLOCK BOLT M8X25	2	
23	324-401	SHAFT (B)	1	
24	955-818	BOLT WASHER M16	2	
25	324-402	SPRING (B)	1	
26	324-394	TURN TABLE	1	
27	321-417	SPRING (E)	1	
28	322-280	STOPPER (A)	1	
32	321-336	PIN COVER	1	
33	949-429	BOLT WASHER M4 (10 PCS.)	4	
34	949-215	MACHINE SCREW M4X8 (10 PCS.)	4	
37	324-378	WISE ASS'Y	1	INCLUD. 38-44
38	307-947	WING BOLT	1	
39	308-396	KNOB BOLT M10	1	
40		SCREW HOLDER	1	
41	996-722	WASHER	2	
42	322-047	WISE PLATE	1	
43	996-247	MACHINE SCREW (W/WASHERS) M5X12 (BLACK)	1	
44	324-380	WISE SHAFT	1	
45	324-454	SUB FENCE (B) ASS'Y	1	INCLUD. 46
46		WARNING LABEL (J)	1	
47	311-144	NYLON NUT M6	2	
48	324-377	PLATE (B)	1	
49	302-459	WING BOLT M6X17	1	
50	307-221	BOLT (W/WASHERS) M8X35 (BLACK)	4	
51	324-385	FENCE (B)	1	
53	949-342	FLAT HD. SCREW M6X25 (10 PCS.)	2	
54	998-834	HOLDER	1	
55	949-610	BOLT M6X10 (10 PCS.)	1	
58	312-672	BASE RUBBER	1	
59	324-456	BASE ASS'Y	1	INCLUD. 58, 99
60	302-317	MACHINE SCREW M5X16 (BLACK)	6	
61	324-411	TABLE INSERT (B)	1	
62	324-410	TABLE INSERT (A)	1	
63	324-370	KNOB (B)	1	
64	307-956	SEAL LOCK HEX. SOCKET SET SCREW M6X10	2	
65	307-294	MACHINE SCREW (W/WASHERS) M5X16 (BLACK)	1	
66	949-217	MACHINE SCREW M4X12 (10 PCS.)	1	
67	949-429	BOLT WASHER M4 (10 PCS.)	1	
68	321-329	INDICATOR	1	
69	321-342	SPACER (A)	1	
70	949-567	LOCK NUT M6 (10 PCS.)	4	
71	949-455	SPRING WASHER M6 (10 PCS.)	4	
72	324-407	GEAR (D)	1	

PARTS

C 12RSH

ITEM NO.	CODE NO.	DESCRIPTION	NO. USED	REMARKS
73	324-405	BEVEL SHAFT (B)	1	
74	324-404	SHAFT HOLDER (B)	1	
75	324-403	SHAFT HOLDER (A)	1	
76	324-408	BEVEL SHAFT (A)	1	
77	949-432	BOLT WASHER M6 (10 PCS.)	3	
78	949-556	NUT M6 (10 PCS.)	1	
79	324-409	KNOB (A)	1	
80	950-817	METAL D8X10	2	
81	324-406	BEVEL GEAR	2	
82	949-454	SPRING WASHER M5 (10 PCS.)	4	
83	949-241	MACHINE SCREW M5X20 (10 PCS.)	4	
84		LABEL (A)	1	
85	321-339	LEVER SHAFT	1	
86		CAUTION LABEL (K)	1	
87	324-395	COVER (B)	1	
88	324-396	SHAFT (C)	1	
89	321-338	LEVER	1	
90	321-340	SPRING (D)	1	
91	322-282	SHAFT (A)	1	
92	322-283	SIDE HANDLE	1	
93	324-381	PLATE (A)	1	
94	324-455	SUB FENCE (A) ASS'Y	1	INCLUD. 95
95		WARNING LABEL (H)	1	
96	324-384	FENCE (A)	1	
98	324-400	LINER	3	
99	315-210	SCALE (A)	1	
131	949-217	MACHINE SCREW M4X12 (10 PCS.)	1	
132	949-429	BOLT WASHER M4 (10 PCS.)	1	
133	948-193	NYLON CLIP	1	
134	324-417	SUPPORT	2	
135	961-554	HEX. SOCKET SET SCREW M8X10	4	
139	307-294	MACHINE SCREW (W/WASHERS) M5X16 (BLACK)	2	
140	324-383	SIDE COVER	1	
141	949-215	MACHINE SCREW M4X8 (10 PCS.)	2	
142	949-429	BOLT WASHER M4 (10 PCS.)	2	
143	324-415	BUSHING	2	
144	324-414	BALL BUSHING	2	
145	324-413	HOLDER (A)	1	
146	324-418	KNOB BOLT M6X25	2	
147	947-859	LOCK SPRING	2	
148	307-956	SEAL LOCK HEX. SOCKET SET SCREW M6X10	2	
149	324-465	SLIDE PIPE (A)	1	
150	877-839	SEAL LOCK HEX. SOCKET HD. BOLT M5X10	1	
151	324-388	SLEEVE	1	
152	310-898	SPRING	1	
153	305-180	CLUTCH SCREW	1	
154	305-179	CLUTCH SPRING	1	
155	968-636	GRIP (B)	1	
156	312-488	CLAMP LEVER	1	
157	323-903	BOLT M8X65	1	
158	949-433	BOLT WASHER M8 (10 PCS.)	1	

PARTS

C 12RSH

ITEM NO.	CODE NO.	DESCRIPTION	NO. USED	REMARKS
159	949-782	HEX. SOCKET HD. BOLT M6X50 (10 PCS.)	2	
160	323-904	STOPPER HOLDER (C)	1	
161	323-905	STOPPER (C)	1	
162	324-420	SET PIN (A)	1	
163	935-196	MACHINE SCREW (W/WASHERS) M4X12 (BLACK)	2	
164	321-329	INDICATOR	2	
165		CAUTION LABEL (B)	1	
166	324-466	SLIDE PIPE (B)	1	
172	998-879	KNOB BOLT	1	
173	324-467	HINGE (A)	1	
174	324-421	GRIP	1	
175	307-294	MACHINE SCREW (W/WASHERS) M5X16 (BLACK)	1	
176	324-372	GUARD ASS'Y	1	INCLUD. 177
177	998-850	FLAT HD. SCREW (BRASS) M4X6	2	
178	321-394	GUARD HOLDER	1	
179	949-215	MACHINE SCREW M4X8 (10 PCS.)	1	
180	949-429	BOLT WASHER M4 (10 PCS.)	1	
181	320-183	COVER	1	
182	324-419	STOPPER PIN ASS'Y	1	INCLUD. 183
183	872-645	O-RING (P-9)	1	
184	949-215	MACHINE SCREW M4X8 (10 PCS.)	1	
185	949-429	BOLT WASHER M4 (10 PCS.)	1	
186	324-387	HINGE SHAFT (A)	1	
187	312-672	BASE RUBBER	1	
188	949-237	MACHINE SCREW M5X12 (10 PCS.)	1	
189	303-854	SPACER	1	
190	324-376	LINK	1	
191	319-270	ADJUSTER	1	
193	305-180	CLUTCH SCREW	1	
194	305-179	CLUTCH SPRING	1	
195	962-614	ADJUSTING WASHER (B) T0.5	1	
196	319-268	PLATE (B)	1	
197	305-179	CLUTCH SPRING	1	
198	321-348	LASER MARKER	1	
199	319-267	SPRING	2	
200	319-541	SEAL LOCK HEX. SOCKET SET SCREW M5X6	2	
201	319-271	COVER (A)	1	
202	322-291	PLATE (A)	1	
203		CAUTION LABEL (J)	1	
204	949-429	BOLT WASHER M4 (10 PCS.)	3	
205	949-217	MACHINE SCREW M4X12 (10 PCS.)	3	
206	319-267	SPRING	1	
207	319-269	HOLDER (B)	1	
231	324-460	HANDLE (L)	1	
232	305-558	TAPPING SCREW (W/FLANGE) D5X25 (BLACK)	4	
233	322-911	SWITCHING POWER SUPPLY	1	
234	984-750	TAPPING SCREW (W/FLANGE) D4X16	3	
235	500-453Z	CORD	1	
237	319-349	CORD BUSH	1	
238	324-461	HANDLE (R)	1	
239	938-051	CORD ARMOR D10.1	1	

PARTS

C 12RSH

ITEM NO.	CODE NO.	DESCRIPTION	NO. USED	REMARKS
240	937-631	CORD CLIP	1	
241	301-653	TAPPING SCREW (W/FLANGE) D4X20 (BLACK)	6	
242	880-734	MACHINE SCREW (W/WASHERS) M5X25 (BLACK)	5	
243	945-161	BRUSH CAP	2	
244	999-038	CARBON BRUSH (1 PAIR)	2	
245	938-241	BRUSH HOLDER	2	
246		CAUTION LABEL (A)	1	
247		NAME PLATE	1	
248	990-541	MACHINE SCREW (W/WASHERS) M5X16	2	
249	324-445	TAIL COVER	1	
250	938-477	HEX. SOCKET SET SCREW M5X8	2	
251	324-459	HOUSING ASS'Y	1	INCLUD. 245, 248-250
252	937-623	BRUSH TERMINAL	2	
253	340-626C	STATOR ASS'Y 120V	1	INCLUD. 252
254	324-397	END PLATE	1	
255	953-121	HEX. HD. TAPPING SCREW D5X50	2	
256	360-711U	ARMATURE ASS'Y 120V	1	INCLUD. 257, 259, 307-309
257	600-0VV	BALL BEARING 6000VVCMP2L	1	
258	324-442	FAN GUIDE	1	
259	620-1VV	BALL BEARING 6201VVCMP2L	1	
262	976-706	MACHINE SCREW (W/WASHERS) M5X10	1	
263	324-448	SWITCH HANDLE (L)	1	
264	996-247	MACHINE SCREW (W/WASHERS) M5X12 (BLACK)	2	
265	324-462	SPINDLE COVER	1	
266	324-425	INTERNAL WIRE (A)	1	
267	959-141	CONNECTOR 50092 (10 PCS.)	4	
268	324-424	SWITCH (3P FASTON TYPE) W/O LOCK	1	
269	324-449	SWITCH HANDLE (R)	1	
270	961-468	KNOB BOLT M6X37	1	
271	988-821	LOCK SPRING	2	
272	322-314	STOPPER HOLDER	1	
273	322-313	SPRING PLATE	1	
274	303-410	NYLOCK BOLT M8X40	1	
275	324-437	GEAR CASE	1	
276	949-217	MACHINE SCREW M4X12 (10 PCS.)	1	
277	949-429	BOLT WASHER M4 (10 PCS.)	1	
278	973-313	NYLON CLIP	1	
279	949-260	MACHINE SCREW M6X25 (10 PCS.)	1	
280	606-ZZM	BALL BEARING 606ZZC2PS2L	2	
281	949-455	SPRING WASHER M6 (10 PCS.)	1	
282	949-425	WASHER M6 (10 PCS.)	1	
283	935-196	MACHINE SCREW (W/WASHERS) M4X12 (BLACK)	1	
284	988-101	BOLT (A) M10	1	
285	323-652	WASHER (B)	1	
286		TCT SAW BLADE 305MM-D25.4 HOLE-NT60	1	
287	324-452	WASHER (A)	1	
288	949-322	FLAT HD. SCREW M4X10 (10 PCS.)	2	
289	307-731	COVER	1	
290	324-375	PROTECTIVE COVER	1	
291	315-710	RETURN SPRING	1	
292	324-438	SPINDLE ASS'Y	1	INCLUD. 293-295

