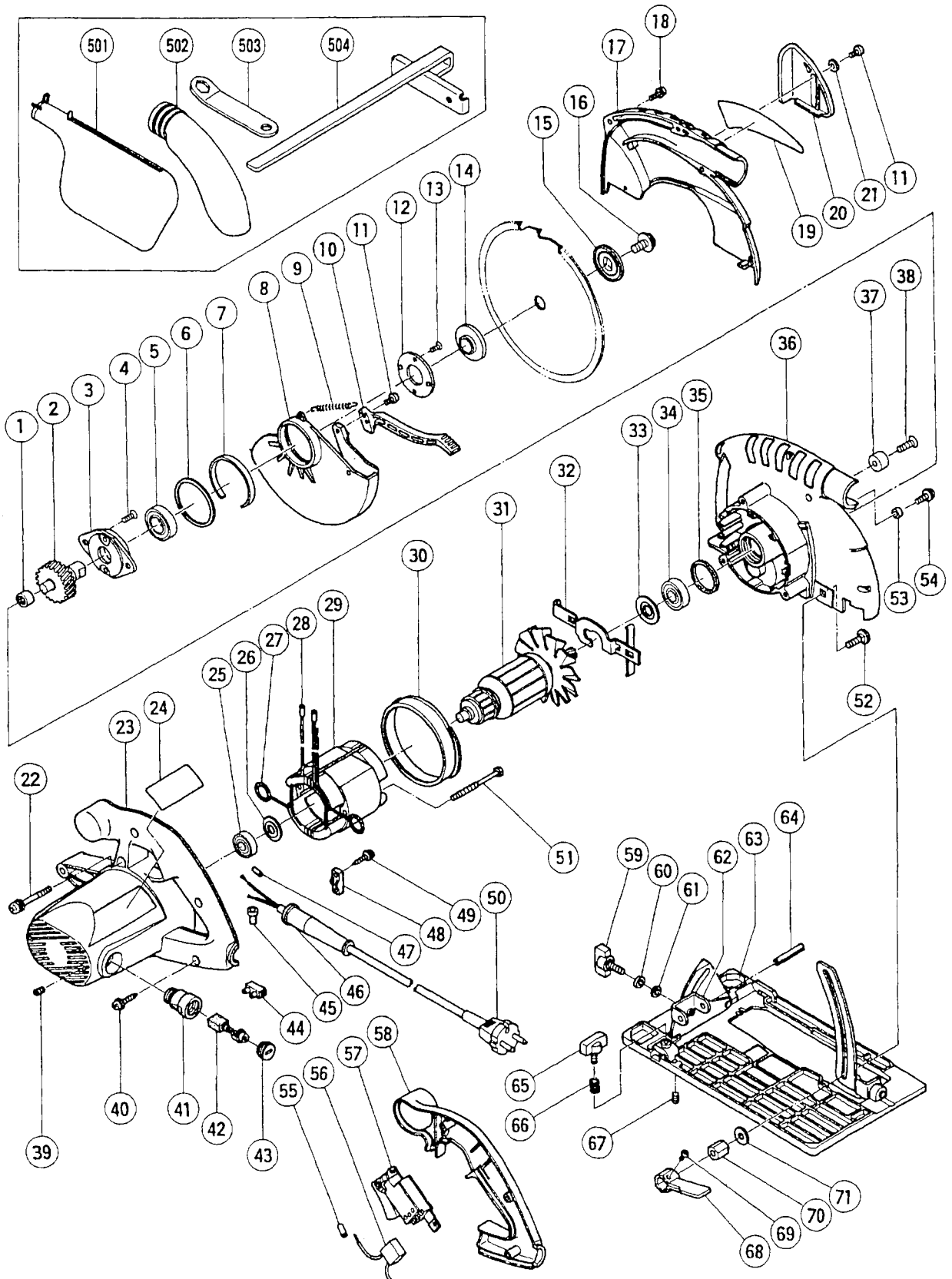


ELECTRIC TOOL PARTS LIST

■ DUST COLLECTION CIRCULAR SAW 2000・9・10
Model C 7YA (E1)



PARTS

C 7YA

ITEM NO.	CODE NO.	DESCRIPTION	NO. USED	REMARKS
1	982-027	NEEDLE BEARING (HK1010)	1	
2	302-436	SPINDLE AND GEAR SET	1	
3	302-433	BEARING HOLDER	1	
4	992-013	SEAL LOCK FLAT HD. SCREW M5X14	2	
5	600-3VV	BALL BEARING 6003VVCMP2L	1	
6	319-524	WASHER	1	
7	961-807	BUSHING	1	
8	319-291	SAFETY COVER	1	
9	319-523	RETURN SPRING	1	
10	319-292	LEVER	1	
11	958-523	MACHINE SCREW (W/SP. WASHER) M4X8	2	
12	302-435	BEARING COVER	1	
13	990-430	SEAL LOCK FLAT HD. SCREW M4X10	2	
14	302-444	WASHER (A)	1	
14	302-443	WASHER (A)	1	FOR USA,CAN
15	302-423	WASHER (B)	1	
16	302-427	BOLT (W/FLANGE) M8X15.5	1	
17	319-288	SAW COVER	1	
18	951-039	MACHINE SCREW (W/SP. WASHER) M4X12	4	
19		HITACHI LABEL	1	
20	319-289	SLIDE COVER	1	
21	319-290	WASHER	1	
22	302-434	MACHINE SCREW (W/WASHERS) M5X45 (BLACK)	3	
23	302-421	HOUSING ASS'Y	1	INCLUD.39,41
24		NAME PLATE	1	
25	600-0VV	BALL BEARING 6000VVCMP2L	1	
26	302-428	WASHER (A)	1	
27	937-623	BRUSH TERMINAL	1	
* 28	981-373	TUBE (D)	1	FOR USA,CAN
* 29	340-199C	STATOR ASS'Y 110V-115V	1	INCLUD.27,28
* 29	340-199G	STATOR ASS'Y 220V-230V	1	INCLUD.27
* 29	340-199F	STATOR ASS'Y 240V	1	INCLUD.27
30	302-430	FAN GUIDE	1	
* 31	360-187U	ARMATURE ASS'Y 110V-115V	1	INCLUD.25,26,33,34
* 31	360-187E	ARMATURE 220V-230V	1	
* 31	360-187F	ARMATURE 240V	1	
32	302-431	LOCK LEVER	1	
33	302-429	DUST WASHER (B)	1	
34	620-1VV	BALL BEARING 6201VVCMP2L	1	
35	302-432	RUBBER RING	1	
36	319-287	GEAR COVER	1	
37	961-729	CUSHION	1	
38	949-794	FLAT HD. SCREW M6X20 (10 PCS.)	1	
39	938-477	HEX. SOCKET SET SCREW M5X8	2	
40	301-653	TAPPING SCREW (W/FLANGE) D4X20 (BLACK)	3	
41	983-362	BRUSH HOLDER	2	
42	999-038	CARBON BRUSH (1 PAIR)	2	
43	961-781	BRUSH CAP	2	
* 44	938-307	PILLAR TERMINAL	1	FOR AUS,USA,CAN
* 45	959-140	CONNECTOR 50091 (10 PCS.)	1	FOR NZL
* 46	958-049	CORD ARMOR D8.2	1	

