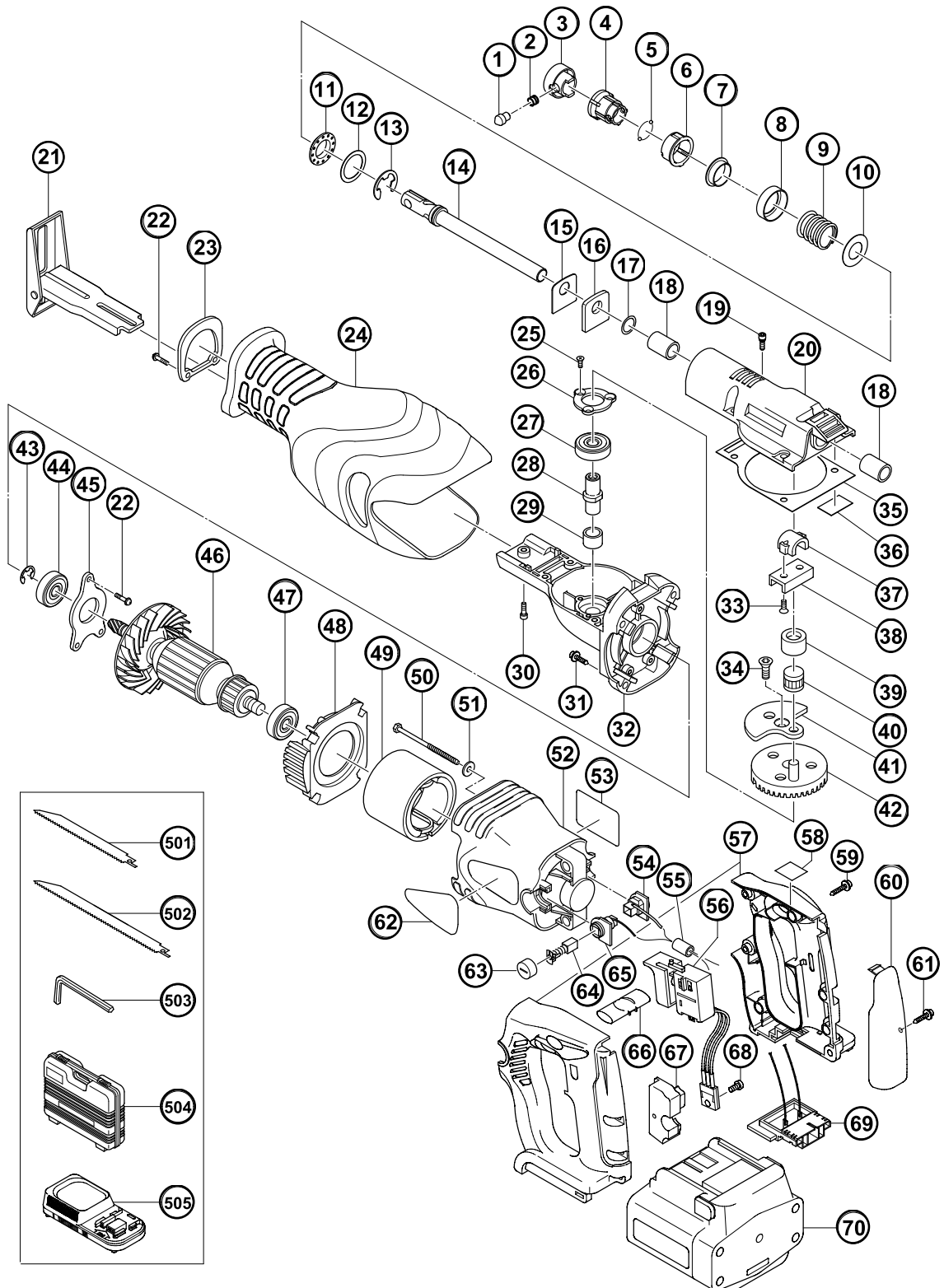


## ELECTRIC TOOL PARTS LIST



### ■ CORDLESS SABER SAW Model CR 24DV

2001・4・20  
(E1)



**PARTS**

CR 24DV

ITEM NO.	CODE NO.	DESCRIPTION	NO. USED	REMARKS
1	318-481	HOLDER PIN	1	
2	318-483	SPRING (B)	1	
3	318-478	HOLDER SLEEVE (A)	1	
4	318-479	HOLDER SLEEVE (B)	1	
5	959-149	STEEL BALL D4.76 (10 PCS.)	2	
6	318-480	HOLDER SLEEVE (C)	1	
7	318-477	GUIDE WASHER	1	
8	318-487	DUST WASHER	1	
9	318-482	SPRING (A)	1	
10	318-484	WASHER (E)	1	
11	318-485	THRUST BEARING	1	
12	318-486	WASHER (D)	1	
13	318-453	RETAINING RING (E-TYPE) FOR D14 SHAFT	1	
14	319-854	PLUNGER	1	
15	996-401	PACKING WASHER	1	
16	996-400	FELT PACKING	1	
17	996-407	O-RING (1AP-12)	1	
18	956-589	METAL	2	
19	305-574	HEX. SOCKET HD. BOLT (W/SP.WASHER) M5X16	4	
20	319-853	UPPER COVER ASS'Y	1	INCLUD.18
21	319-866	BASE	1	
22	951-039	MACHINE SCREW (W/SP. WASHER) M4X12	5	
23	319-868	COVER PLATE	1	
24	319-867	FRONT COVER	1	
25	993-244	SEAL LOCK FLAT HD. SCREW M4X12	3	
26	319-849	BEARING COVER (B)	1	
27	690-1ZZ	BALL BEARING 6901ZZCMPS2L	1	
28	319-848	SPINDLE	1	
29	954-789	METAL (B)	1	
30	996-399	HEX. SOCKET HD. BOLT (W/FLANGE) M5X12	1	
31	986-011	TAPPING SCREW (W/SP. WASHER) D5X30	4	
32	319-844	GEAR COVER ASS'Y	1	INCLUD.29
33	319-875	SEAL LOCK HEX.SOCKET FLAT HD. BOLT M5X12	2	
34	319-851	NYLOCK HEX. SOCKET FLAT HD. BOLT M6X16	1	
35	319-856	SEAL PACKING	1	
36	319-874	PACKING (B)	1	
37	983-567	CONNECTOR HOLDER	1	
38	996-405	CONNECTOR	1	
39	983-541	CONNECTING PIECE (A)	1	
40	983-560	NEEDLE ROLLER H-7108	1	
41	319-852	BALANCE WEIGHT	1	
42	319-850	GEAR	1	
43	670-514	RETAINING RING (E-TYPE) FOR D10 SHAFT	1	
44	600-1VV	BALL BEARING 6001VVCMP2L	1	
45	319-843	BEARING COVER (A)	1	
46	360-555	ARMATURE ASS'Y DC 24V	1	INCLUD.43-45,47
47	608-VVM	BALL BEARING 608VVC2PS2L	1	
48	319-788	FAN GUIDE	1	
49	319-846	MAGNET	1	
50	960-108	HEX. HD. TAPPING SCREW D4X60	2	
51	319-956	WASHER (B)	2	



