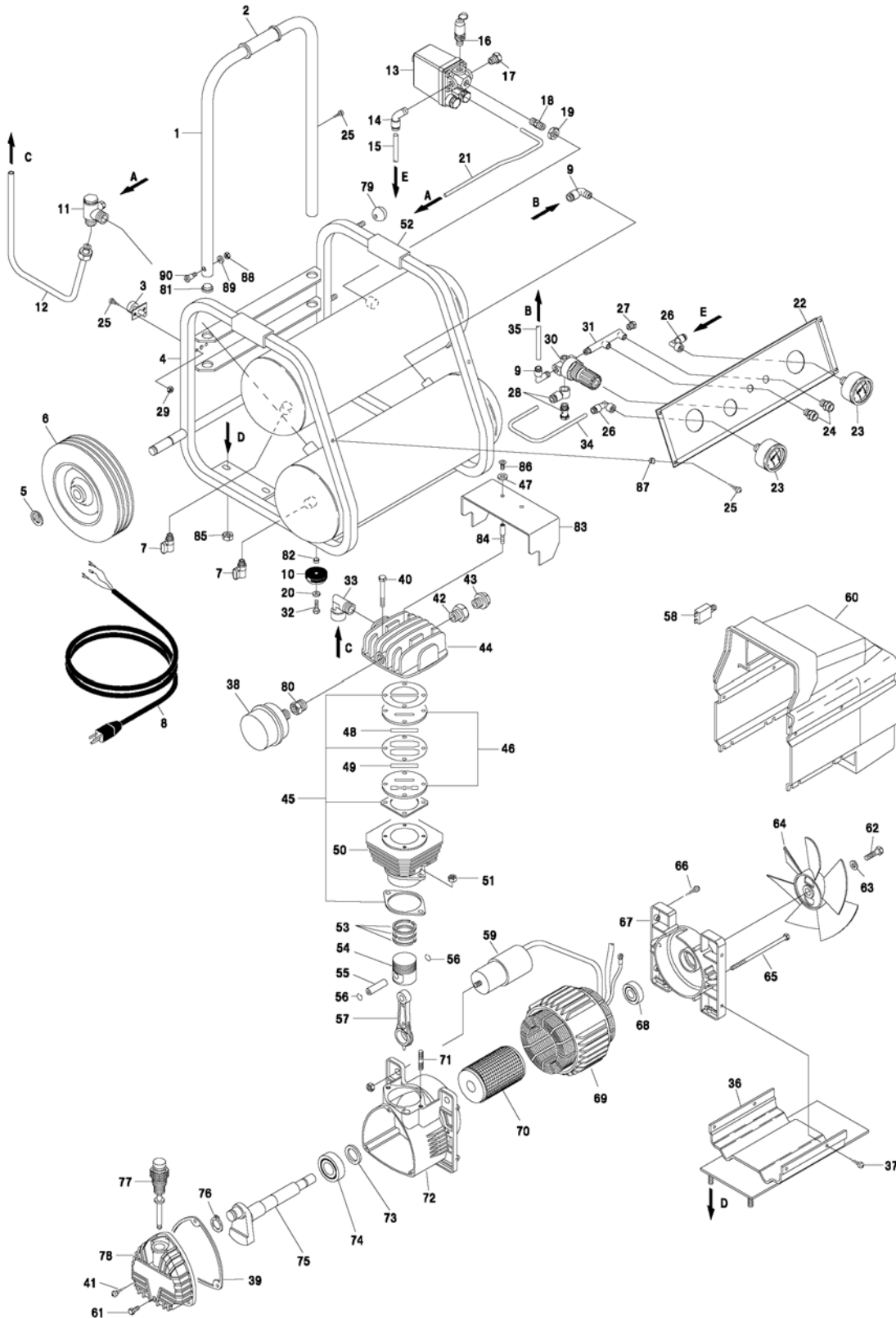


# HITACHI

## ELECTRIC TOOL PARTS LIST

■ AIR COMPRESSOR  
Model EC 129

2006 • 06 • 09  
(E1)



Parts List

EC129

Item #	Code #	DESCRIPTION	NO USED	Remarks
1	884-770	Handle (B)	1	5140540008
2	884-771	Rubber Handle	1	7280100000
3	884-772	Knob (A)	2	7018720000
4	884-773	Tank	1	5157220008
5	884-774	Seeger	2	7040190000
6	884-775	Wheel	2	7260250000
7	882-610	Discharge tap 1/4"	2	7130440000
8	881-503	Cord w/ Ground	1	7328620000
9	884-425	Joint	2	7083120000
10	884-421	Rubber	4	7360010000
11	884-776	Non return valve	1	7190090000
12	884-777	Infeed Tube	1	7231910000
13	882-609	Pressure switch (Push Pull Switch)	1	7250640000
14	881-680	Joint	1	7084240000
15	881-496	Tube, D6 Precut	1	7230010000
16	881-493	Safety valve 1/4", 10bar	1	7192270000
17	881-513	Plug	1	7090070000
18	881-505	Joint	1	7081140000
19	881-504	Blocking nut	1	7023040000
20	881-573	Washer	4	7030190000
21	881-496	Tube, D6 Precut	1	7230010000
22	884-778	Instrumental panel	1	5166650008
23	160-596	Pressure gauge, NPT (884-430, BSP Thread)	2	7110400000
24	881-509	Joint	2	7085790000
25	881-666	Screw	9	7012280000
26	884-432	Joint	2	7080240000
27	881-678	Joint	1	7090010000
28	885-805	Joint (884-433 as Alternet)	1	7080140000
29	884-779	Nut	4	7021040000
30	881-510	Pressure reducer	1	7100120000
31	884-435	Manifold	1	7196950000
32	881-683	Screw	4	7011050000
33	884-780	Joint	1	7084030000
34	881-496	Tube, D6 Precut	1	7230010000
35	884-451	Tube	1	7230080000
36	884-782	Base	1	5011940008
37	881-410	Screw	4	7012290000
38	884-784	Intake filter	1	7210800000
39	881-473	Crank Case Gasket	1	7078460000
40	881-604	Head Bolt	2	7011030000
41	881-595	Screw	3	7013090000
42	884-785	Joint	1	7085020000
43	884-454	Start valve	1	7196220000
44	884-786	Head	1	7570020000
45	884-787	Gasket Set	1	4083290000
46	884-440	Valve plate Set	1	7459530000
47	881-419	Washer	2	7030320000
48	884-788	Valve	1	4081040000
49	881-490	Valve	1	4081010000
50	884-789	Cylinder	1	7575190000

**Parts List**

**EC129**

Item #	Code #	DESCRIPTION	NO USED	Remarks
51	881-489	Nut	2	7020070000
52	884-781	Rubber handle	2	7280120000
53	881-559	Piston rings Kit, D50	1	4080020000
54	881-567	Piston, D50	1	7220020000
55	881-560	Piston pin, D12 8X42	1	7050020000
56	881-463	Retaining Ring	2	7041010000
57	881-561	Connecting Rod	1	5050150008
58	881-588	Thermal Protector, 17Amp	1	7410760000
59	884-791	Capacitor	1	7310600000
60	884-792	Housing	1	7151700000
61	884-450	Drain Screw	1	7011430000
62	884-793	Screw, M8X20	1	7011090000
63	884-794	Washer	1	7038020000
64	884-795	Fan	1	7200060000
65	884-796	Tension Rod	2	7015130000
66	884-444	Screw	1	7013060000
67	881-486	Cover	1	5110061008
68	881-478	Bearing	1	7060010000
69	884-797	Motor Casing	1	4013310000
70	884-798	Rotor	1	5090370008
71	881-566	Stud bolt	2	7015020000
72	884-448	Crank Case Carter	1	5070320008
73	881-474	Spacer, Smim Ring	1	7071020000
74	881-466	Bearing	1	7060060000
75	884-799	Crank Shaft	1	5041190008
76	881-468	Retaining Ring	1	7040040000
77	881-469	Oil Dipstick	1	7181060000
78	881-470	Crank Case Cover	1	7650020000
79	884-453	Knob	2	7101660000
80	884-801	Joint	1	7088260000
81	884-802	Handel End Cap	2	7360040000
82	881-401	Nut, Self Locking	4	7021010000
83	884-803	Cover	1	5165060008
84	884-804	Spacer	2	7015460000
85	882-618	Nut	4	7020240000
86	881-604	Screw	2	7012740000
87	884-806	Insert	4	7018110000
88	884-809	Nut	2	7020150000
89	881-419	Washer	2	7030020000
90	884-807	Screw	2	7018730000
		<b>Optional Accessories:</b>		
	19210B	COMPRESSOR OIL (12 box,8oz bottles SAE5W50)		
	191021	3/8"NPT Mx1/4"IND COUPLER 1each (COMPRESSOR)		
	190061	3/8"NPT Fx1/4"IND PLUG 1each (HOSE END)		
	19407	AIR HOSE 100'x3/8"RUBBER		
	191151	3/8"NPT Fx1/4"IND COUPLER 1ea (HOSE END)		
	190051	3/8"NPTMx1/4"IND PLUG 1each (NAILER W/ 3/8" OPENING)		

Parts are subject to change without any obligation on the part of the HITACHI due to improvements.