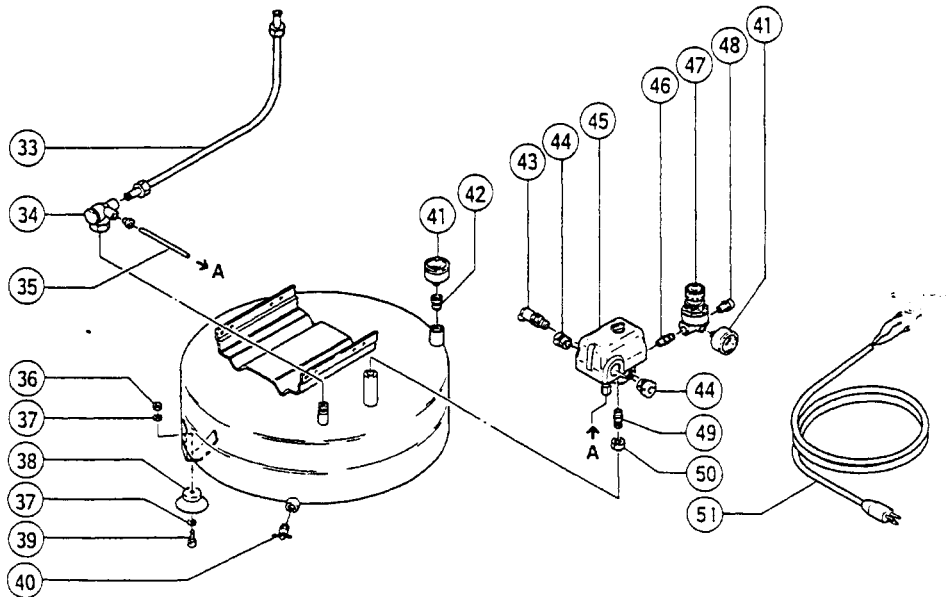
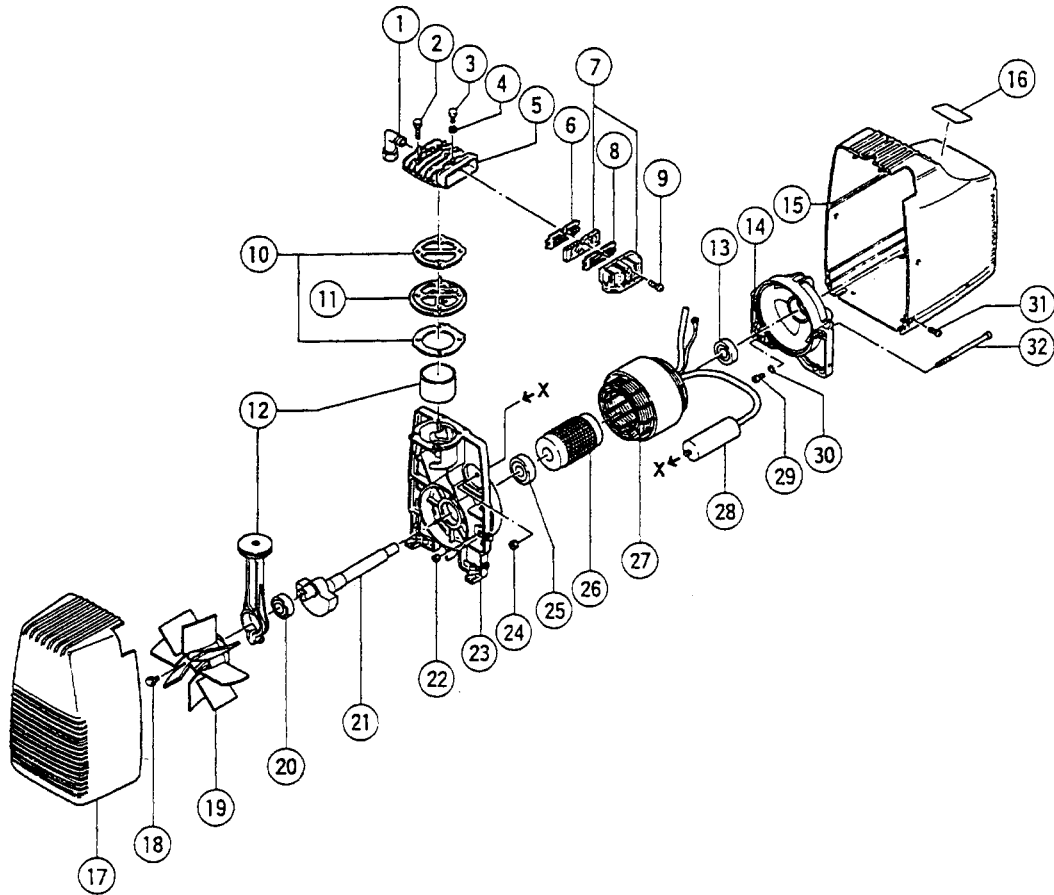


## ELECTRIC TOOL PARTS LIST

■ AIR COMPRESSOR  
Model EC 6C

1996 · 11 · 30  
(E1)



## PARTS

EC 6C

ITEM NO.	CODE NO.	DESCRIPTION	NO. USED	REMARKS
1	881-455	JOINT	1	
2	881-392	SCREW	4	
3	881-415	SCREW	1	
4	881-414	WASHER	1	
5	881-456	HEAD	1	
6	881-453	FILTER PLATE	1	
7	881-413	INTAKE FILTER	1	
8	881-452	FILTER PLATE	1	
9	881-412	SCREW	1	
10	881-393	SET OF GASKET	1	
11	881-394	MONOPLATE	1	
12	881-396	CONROD.CYLINDER KIT	1	
13	881-478	BALL BEARING	1	
14	881-409	COVER	1	
15	881-411	MOTOR HOUSING	1	
16		NAME PLATE	1	
17	881-398	COMPRESSOR HOUSING	1	
18	881-399	SCREW	1	
19	881-397	FAN	1	
20	881-395	BALL BEARING	1	
21	881-400	CRANK SHAFT	1	
22	881-401	NUT	2	
23	881-402	CARTER	1	
24	881-403	NUT FOR CAPACITOR	1	
25	881-404	BALL BEARING	1	
26	881-405	ROTOR	1	
27	881-406	STATOR	1	
28	881-407	CAPACITOR	1	
29	881-484	SCREW	1	
30	881-408	TOOTHED WASHER	1	
31	881-410	SCREW	4	
32	881-480	TENSION ROD	2	
33	881-416	INFEEED TUBE	1	
34	881-494	NON RETURN VALVE	1	
35	881-417	HOSE	1	
36	881-418	NUT	4	
37	881-419	WASHER	8	
38	881-501	RUBBER FOOT	4	
39	881-399	SCREW	4	
40	881-498	DISCHARGE TAP	1	
41	881-508	PRESSURE GAUGE	2	
42	881-421	JOINT	1	
43	881-493	SAFETY VALVE	1	
44	881-507	STRETCH ELIMINATOR	2	
45	881-512	PRESSURE SWITH	1	
46	881-511	JOINT	1	
47	881-510	PRESSURE REDUCER	1	
48	881-509	JOINT	1	
49	881-505	JOINT	1	
50	881-504	BLOCKING NUT	1	
51	881-503	INFEEED CABLE	1	

\* : ALTERNATIVE PARTS