

HITACHI

LIST NO. N1001

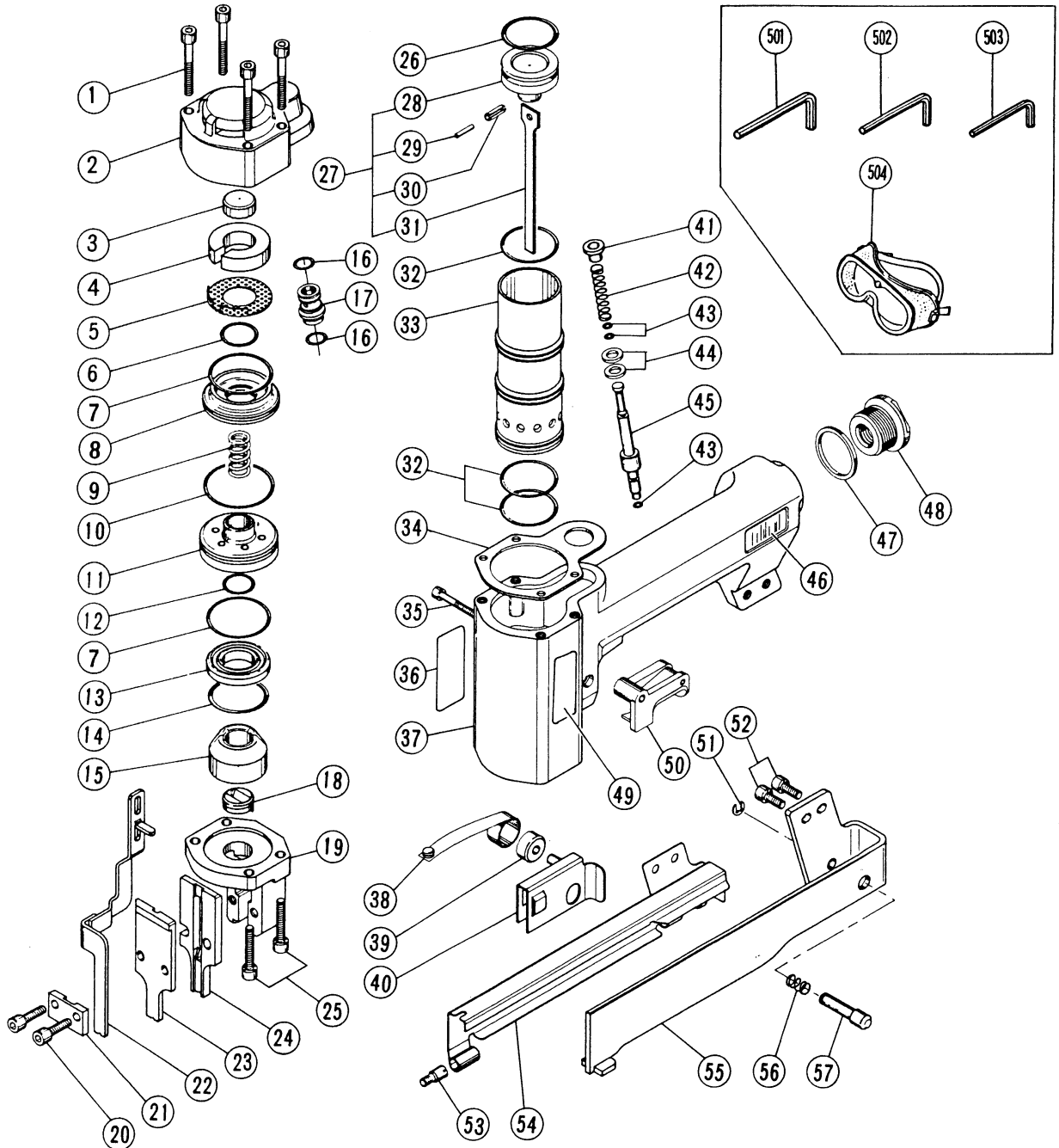
PNEUMATIC TOOL PARTS LIST

■ STAPLER

1994 • 6 • 30

Model N 3804AB NARROW CROWN

(E1)



PARTS

N 3804AB

ITEM NO.	CODE NO.	DESCRIPTION	NO. USED	REMARKS
1	790 - 200	HEX. SOCKET HD. BOLT M5 × 35	4	
2	790 - 201	EXHAUST COVER	1	
3	790 - 202	GASKET	1	
4	790 - 203	SILENCER	1	
5	790 - 204	PERFORATED PLATE	1	
6	790 - 205	O - RING (I. D. 15.6)	1	
7	790 - 206	O - RING (I. D. 33.05)	2	
8	790 - 207	DISC	1	
9	790 - 208	VALVE SPRING	1	
10	790 - 209	O - RING (I. D. 37.82)	1	
11	790 - 210	MAIN VALVE	1	
12	790 - 211	O - RING (I. D. 14)	1	
13	790 - 212	VALVE RING	1	
14	790 - 213	O - RING (I. D. 28.64)	1	
15	790 - 214	PISTON BUMPER	1	
16	790 - 230	O - RING (I. D. 7.65)	2	
17	790 - 231	VALVE BUSH	1	
18	790 - 215	DRIVER GUIDE	1	
19	790 - 216	NOSE	1	
20	790 - 222	HEX. SOCKET HD. BOLT M5 × 18	2	
21	790 - 221	BRIDGE PIECE	1	
22	790 - 220	PUSH LEVER	1	
23	790 - 219	FRONT NOSE	1	
24	790 - 218	BACK NOSE	1	
25	790 - 217	HEX. SOCKET HD. BOLT M5 × 25	4	
26	790 - 223	O - RING (I. D. 25.07)	1	
27	790 - 224	PISTON ASS'Y	1	INCLUD. 28-31
28	790 - 225	PISTON	1	
29	790 - 227	PIN	1	
304	790 - 226	ROLL PIN D4 × 12	1	
31	790 - 228	DRIVER BLADE	1	
32	790 - 229	O - RING (I. D. 29.87)	3	
33	790 - 232	CYLINDER	1	
34	790 - 233	GASKET	1	
35	790 - 234	HEX. SOCKET HD. BOLT M4 × 30	1	
36	790 - 244	WARNING LABEL	1	
37	790 - 235	BODY	1	INCLUD. 36, 46, 49
38	790 - 246	RIBBON SPRING	1	
39	790 - 249	SPOOL	1	
40	790 - 250	STAPLE FEEDER	1	
41	790 - 239	SLEEVE	1	
42	790 - 240	VALVE SPRING	1	INCLUD. 2PCS. WASHER
43	790 - 241	O - RING (I. D. 2.57)	3	
44	790 - 247	WASHER	2	
45	790 - 242	VALVE SHAFT	1	
46	-----	HITACHI LABEL	1	
47	790 - 238	GASKET	1	
48	790 - 237	CAP	1	
49	790 - 245	NAME PLATE	1	
50	790 - 243	TRIGGER ASS'Y	1	
51	790 - 254	CIRCLIP	1	

*: ALTERNATIVE PARTS

06 - 94

