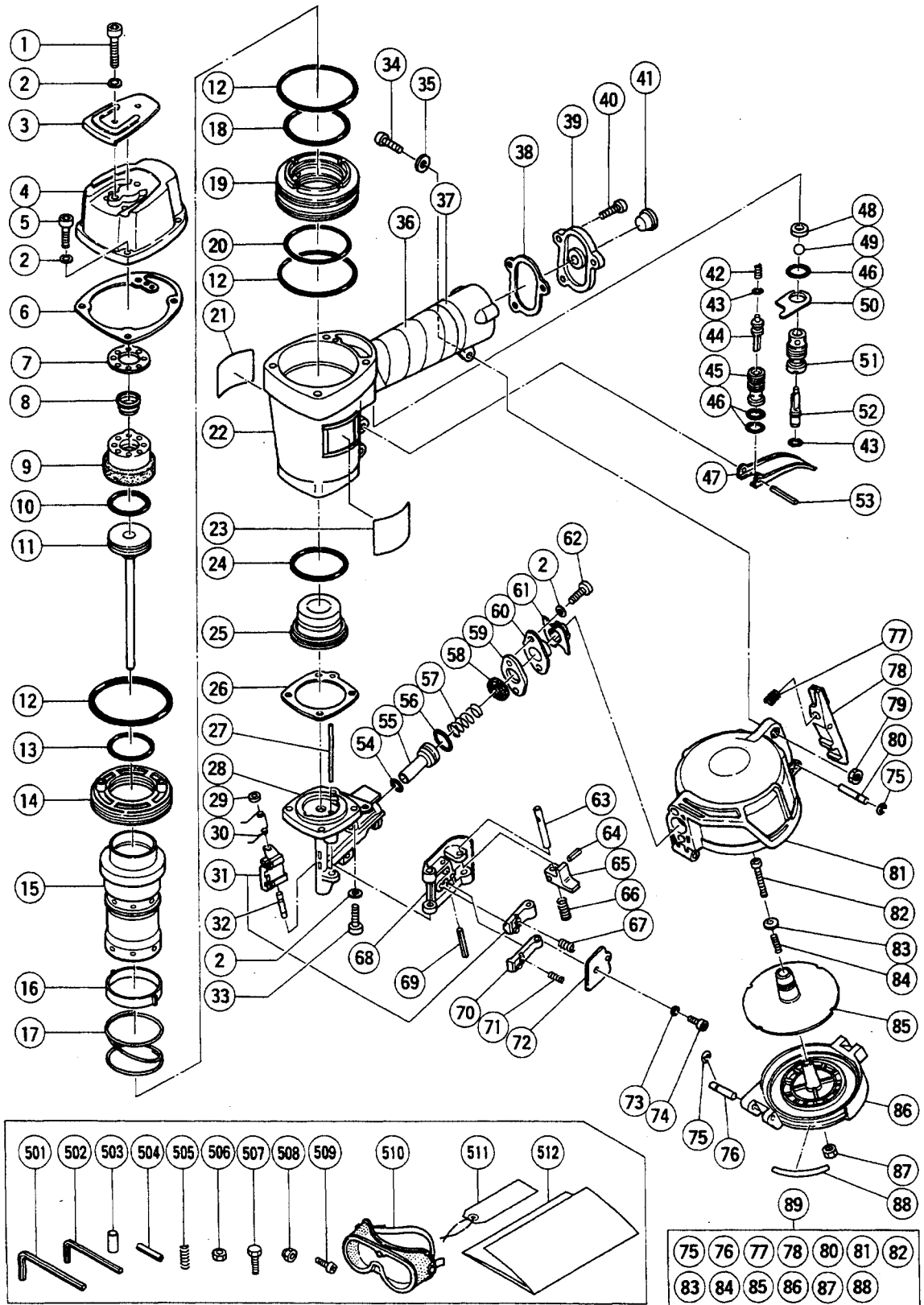
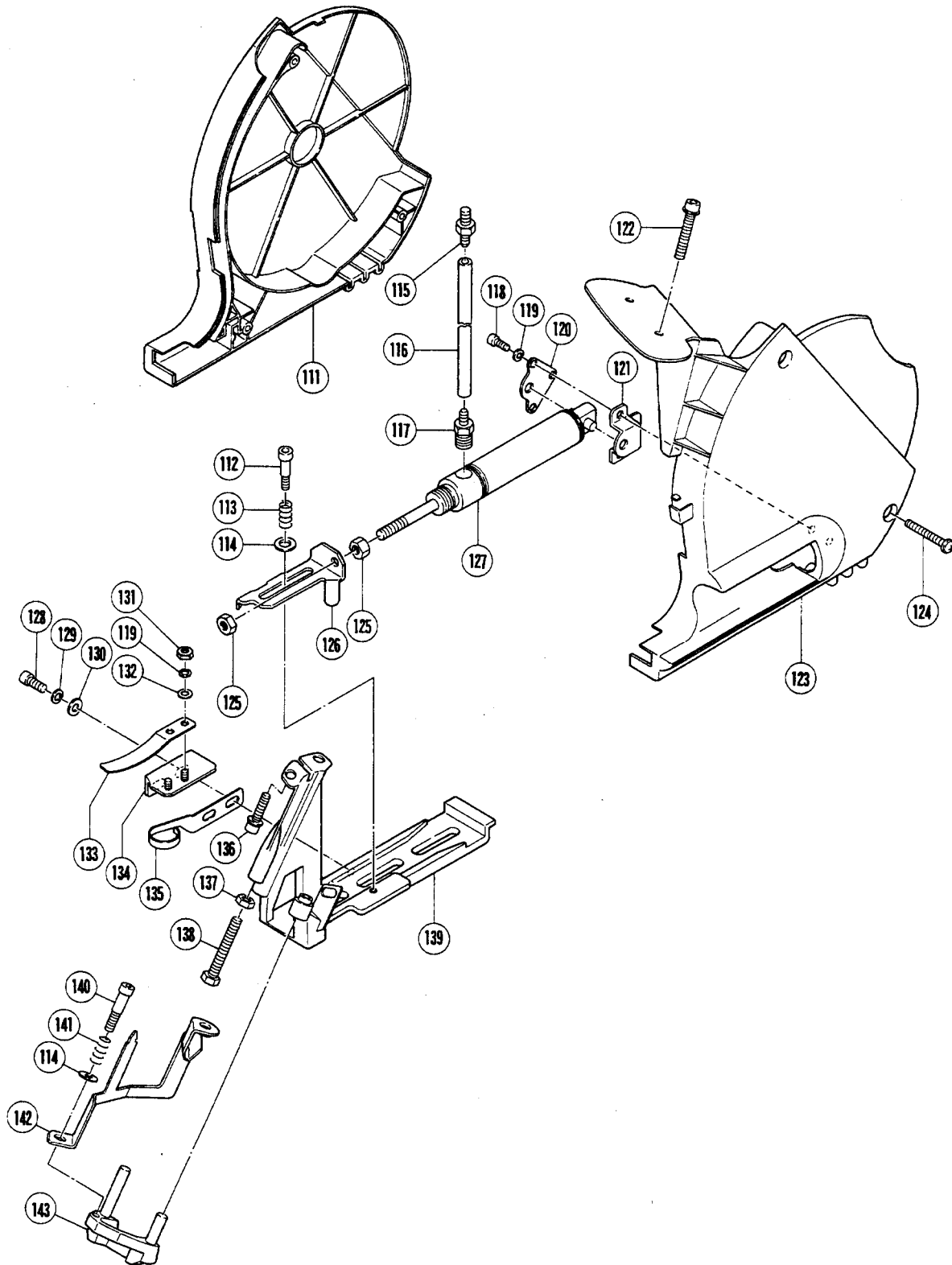


PNEUMATIC TOOL PARTS LIST

■ COIL NAILER
Model NV 50AP

1999·7·20
(E1)





PARTS

NV50AP

ITEM NO.	CODE NO.	DESCRIPTION	NO USED	REMARKS
1	949-662	HEX. SOCKET HD. BOLT M5X25 (10 PCS.)	2	
2	949-454	SPRING WASHER MS (10 PCS.)	12	
3	876-179	TOP COVER	1	
4	880-275	EXHAUST COVER (B)	1	
5	949-757	HEX. SOCKET HD. BOLT M5X20 (10 PCS.)	4	
6	876-712	GASKET (F)	1	
7	876-713	GASKET (G)	1	
8	878-417	EXHAUST VALVE	1	
9	876-711	HEAD CAP	1	
10	876-174	PISTON O-RING	1	
11	877-897	PISTON	1	
12	876-161	O-RING (S-65)	3	
13	877-126	CYLINDER O-RING (D)	1	
14	876-168	CYLINDER PLATE	1	
15	877-486	CYLINDER	1	
16	876-167	CYLINDER RING	1	
17	876-172	CYLINDER SPRING	1	
18	877-123	CYLINDER O-RING (A)	1	
19	877-122	CYLINDER GUIDE	1	
20	877-124	CYLINDER O-RING (B)	1	
21	878-184	WARNING LABEL	1	
22	882-950	BODY (B) ASS'Y	1	INCLUD.36, 37
23		NAMEPLATE	1	
24	877-125	CYLINDER O-RING (C)	1	
25	878-179	PISTON BUMPER	1	
26	876-673	GASKET (A)	1	
27	877-823	NAIL GUIDE SHAFT	1	
28	877-899	NOSE	1	
29	877-826	FEEDER SHAFT RING	1	
30	877-474	FEEDER SPRING	1	
31	880-270	FEEDER SET	1	
32	877-904	FEEDER SHAFT	1	
33	878-181	NYLOCK HEX. SOCKET HD. BOLT M5X16	2	
34	949-241	MACHINE SCREW M5X20 (10 PCS.)	1	
35	876-205	WASHER	1	
36	881-768	GRIP TAPE (A)	1	
37	880-407	TAPE	2	
38	877-131	GASKET (D)	1	
39	880-036	CAP	1	
40	949-821	HEX. SOCKET HD. BOLT M5X16 (10 PCS.)	3	
41	872-035	DUST CAP	1	
42	875-643	PLUNGER SPRING	1	
43	874-820	PLUNGER O-RING	2	
44	878-122	PLUNGER (A)	1	
45	878-266	VALVE BUSHING	1	
46	875-638	O-RING (S-12)	3	
47	876-203	TRIGGER	1	
48	878-734	VALVE PACKING	1	
49	875-645	URETHANE BALL (C) D7.14	1	

PARTS				NV50AP	
ITEM NO.	CODE NO.	DISCRIPTION	NO. USED	REMARKS	
50	875-644	VALVE PLATE	1		
51	877-335	TRIGGER VALVE BUSHING	1		
52	878-121	TRIGGER PLUNGER	1		
53	949-866	ROLL PIN D3X30 (10 PCS.)	1		
54	872-645	O-RING (P-9)	1		
55	877-475	FEED PISTON	1		
56	873-570	O-RING (P-18)	1		
57	876-693	FEED SPRING	1		
58	877-476	BUMPER	1		
59	877-477	FEED PISTON COVER (A)	1		
60	877-478	FEED PISTON COVER (B)	1		
61	877-479	MAGAZINE BUSHING	1		
62	949-819	HEX. SOCKET HD BOLT M5X10 (10 PCS.)	2		
63	876-682	LOCK SHAFT	1		
64	949-776	ROLL PIN D3X10 (10 PCS.)	1		
65	817-374	GUIDE LOCK	1		
66	877-372	SPRING	1		
67	876-681	MAIN STOPPER SPRING	1		
68	877-465	NAIL GUIDE	1		
69	949-865	ROLL PIN D3X28 (10 PCS.)	1		
70	877-493	SUB NAIL STOPPER	1		
71	877-468	SUB STOPPER SPRING	1		
72	877-469	NAIL GUIDE COVER	1		
73	949-453	SPRING WASHER M4 (10 PCS.)	2		
74	949-811	HEX. SOCKET HD. BOLT M4X8 (10 PCS.)	2		
15	872-971	RETAINING RING (E-TYPE) FOR D3 SHAFT	2		
76	877-152	HINGE PIN	1		
77	877-149	STOPPER SPRING	1		
78	880-146	MAGAZINE STOPPER	1		
79	877-371	NYLON NUT M5	1		
80	877-150	STOPPER PIN	1		
81	877-906	MAGAZINE	1		
82	949-228	MACHINE SCREW M4X40 (10 PCS.)	1		
83	875-246	WASHER	1		
84	877-894	HOLDER SPRING	1		
85	877-893	NAIL HOLDER	1		
86	877-895	MAGAZINE COVER	1		
87	876-465	NYLON NUT M4	1		
88	877-903	LABEL	1		
89	877-902	MAGAZINE ASS'Y	1	INCLUD.75-78, 80-88	
111	726-010R	HOLDER, REEL-FRONT	1		
112	725-992R	BOLT	1		
113	725-979R	SPRING	1		
114	725-971R	WASHER	2		
115	726-003R	BARB FITTING NAILER	1		
116	726-004R	TUBE	1		
117	726-002R	BARB FITTING CYLINDER	1		
118	726-017R	BOLT	3		
119	725-975R	WASHER	5		
120	725-986R	BRACKET CAP	1		

PARTS				NV50AP	
ITEM NO.	CODE NO.	DISCRIPTION	NO. USED	REMARKS	
121	725-987R	CYLINDER SHROUD	1		
122	726-011R	BOLT	2		
123	725-988R	HOLDER REEL-REAR	1		
124	725-973R	BOLT	3		
125	725-972R	NUT	2		
126	725-981R	PICKER	1		
127	725-990R	CYLINDER	1		
128	725-996R	BOLT	2		
129	725-995R	WASHER	2		
130	725-994R	WASHER	2		
131	725-976R	NUT	2		
132	725-974R	WASHER	2		
133	725-982R	RETAINER SPRING	1		
134	725-985R	RETAINER	1		
135	725-983R	INDEX SPRING	1		
136	726-018R	BOLT	2		
137	725-993R	NUT	1		
138	725-997R	STOP BOLT	1		
139	726-006R	TRACK	1		
140	726-022R	BOLT	1		
141	726-023R	SPRING	1		
142	726-019R	PUSH LEVER	1		
143	726-009R	FOOT	1		

STANDARD ASSESSORIES

	CODE NO.	DESCRIPTION	NO. USED	REMARKS	
501	944-458	HEX. BAR WRENCH 4MM	1		
502	943-277	HEX. BAR WRENCH 3MM	1		
503	875-642	SAFETY PLUNGER (B)	1		
504	949-860	ROLL PIN D3X30 (10 PCS.)	1		
505	876-676	SAFETY SPRING	1		
506	949-555	NUT MS (10 PCS.)	1		
507	875-650	SAFETY BOLT	1		
508	877-371	NYLON NUT M5	1		
509	949-239	MACHINE SCREW M5X16 (10 PCS.)	1		
510	875-769	EYE PROTECTOR	1		
511	882-413	CAUTION TAG	1		
512	882-414	LEAFLET	1		

OPTIONAL ASSESSORIES

	CODE NO.	DESCRIPTION	NO. USED	REMARKS	
601	876-212	PNEUMATIC TOOL LUBRICANT (1L)	1		
602	874-116	AIR SOCKET 6MM	1		
603	875-246	WASHER	1		
604	876-720	DRIVE CONTROLLER	1		