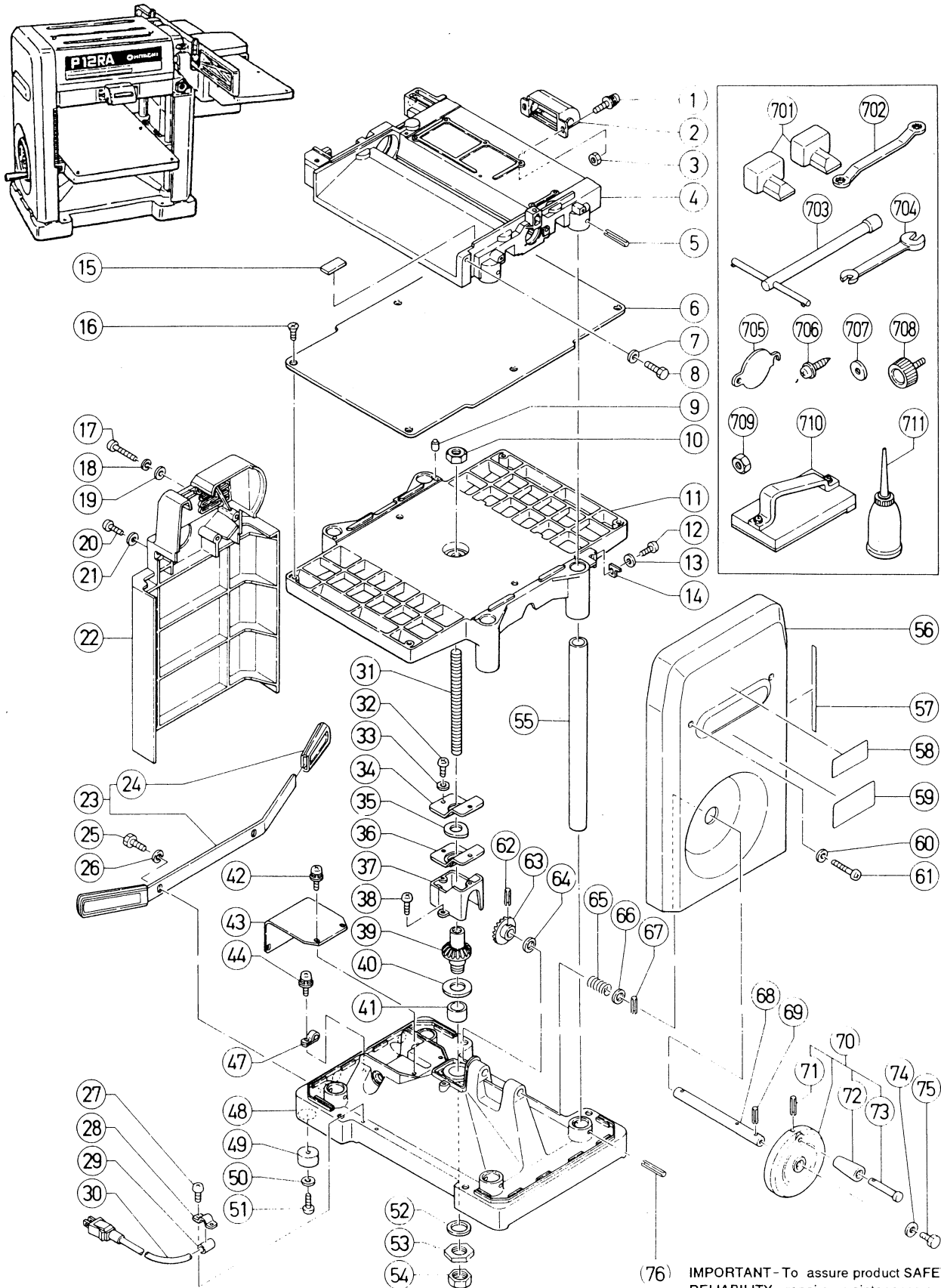
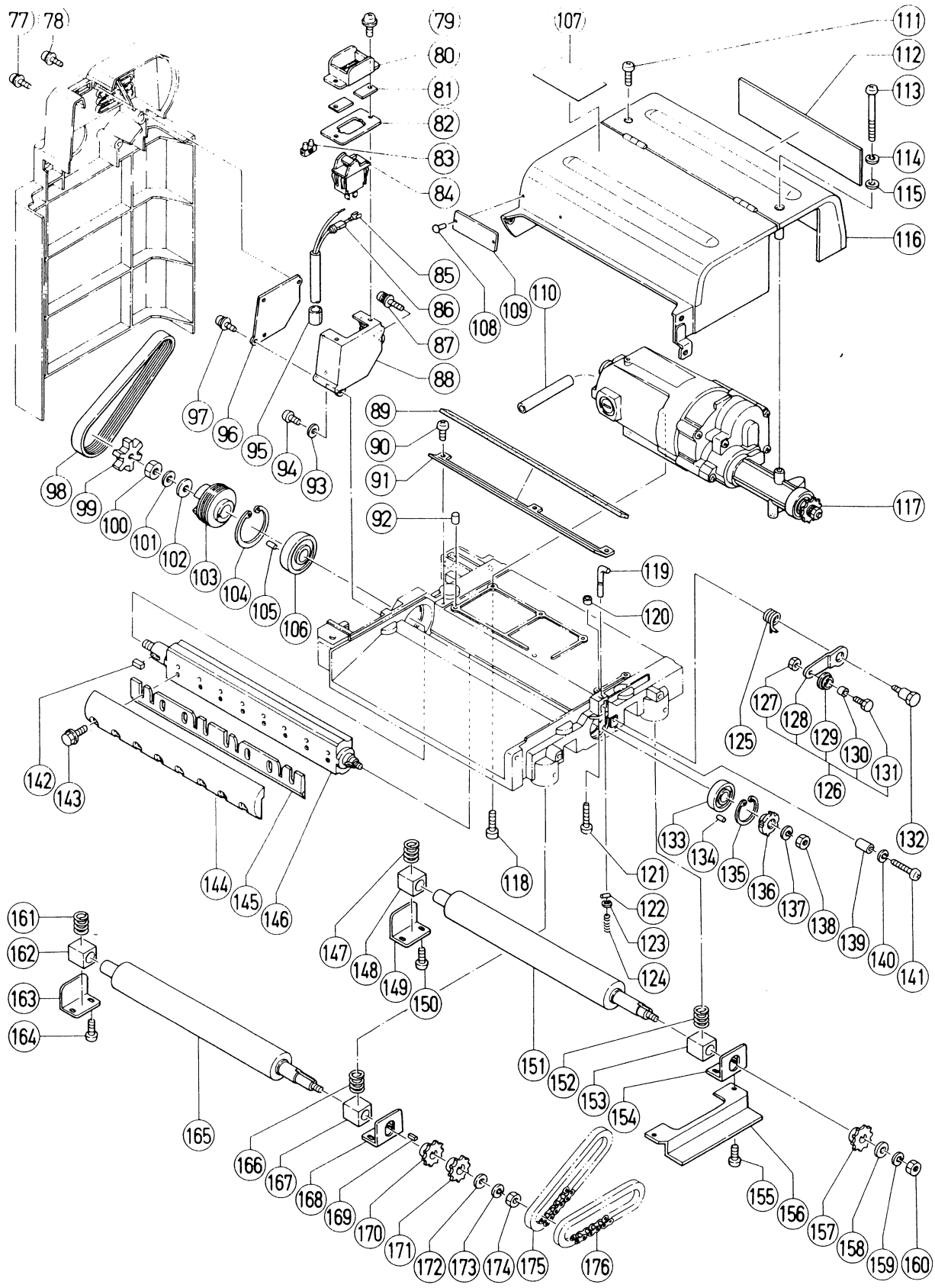


# HITACHI PORTABLE PLANER JOINTER Model P 12RA

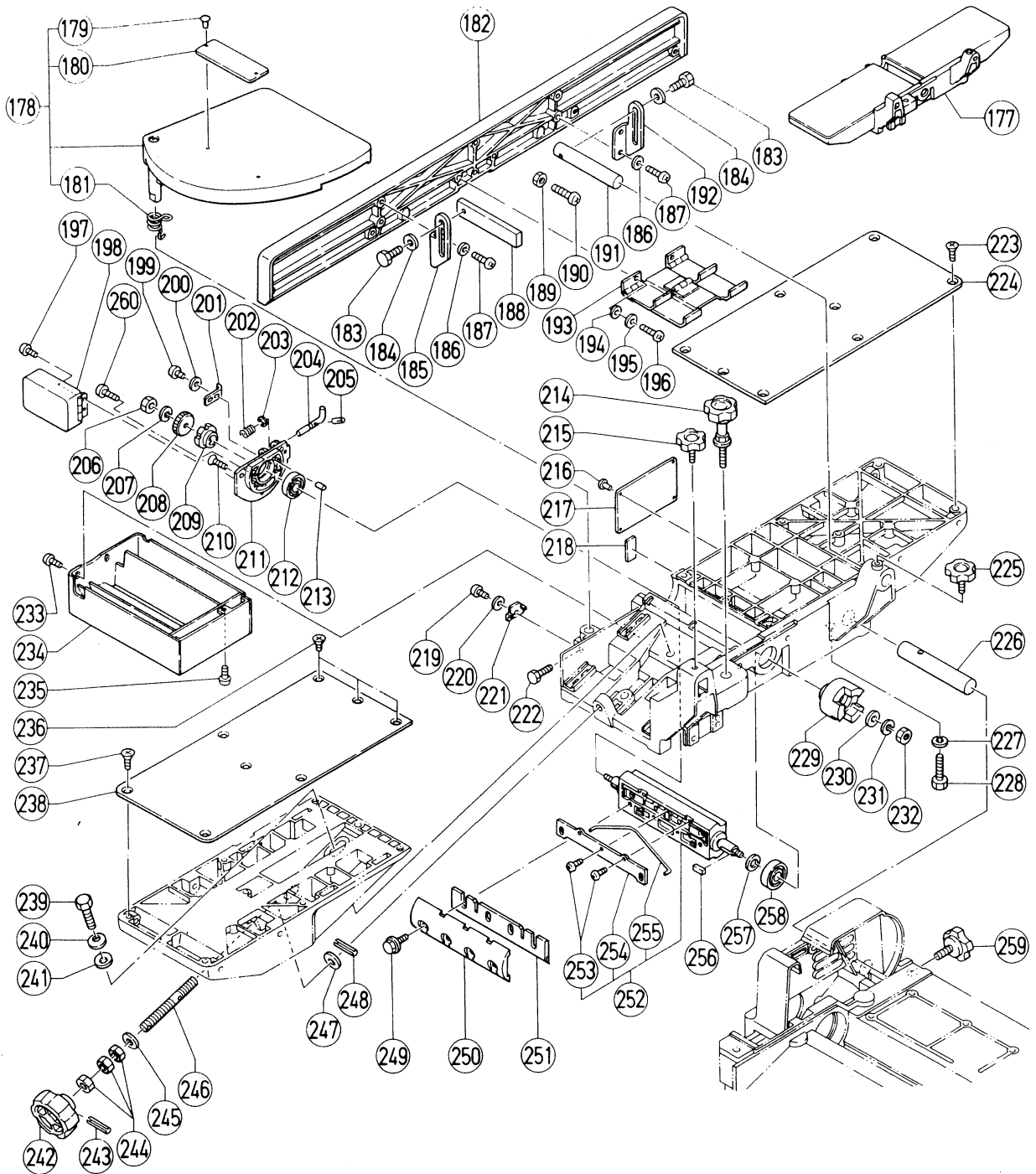


# HITACHI PORTABLE PLANER JOINTER Model P 12RA





# HITACHI PORTABLE PLANER JOINTER Model P 12RA





# HITACHI PORTABLE PLANER JOINTER Model P 12RA

ITEM NO.	PART NO.	NO. USED	DESCRIPTION	SUPPLY Q'TY	ITEM NO.	PART NO.	NO. USED	DESCRIPTION	SUPPLY Q'TY
1	951 - 893	2	MACHINE SCREW (W/WASHERS) M6X2		66	932 - 314	1	WASHER	
2	303 - 963	1	GAUGE		67	949 - 548	1	ROLL PIN D4X25	10
3	949 - 556	2	NUT M6	10	68	302 - 800	1	HANDLE SHAFT	
4	303 - 951	1	HEAD		69	949 - 548	1	ROLL PIN D4X25	10
5	949 - 686	4	ROLL PIN D6X40	10	70	302 - 803	1	HANDLE ASS'Y 120MM	
6	302 - 809	1	PLATE		71	949 - 548	1	ROLL PIN D4X25	10
7	949 - 432	1	BOLT WASHER M6	10	72	967 - 614	1	FEED GRIP (A)	
8	949 - 612	1	BOLT M6X14	10	73	303 - 965	1	GRIP SHAFT	
9	966 - 716	4	OIL CUP		74	949 - 432	1	BOLT WASHER M6	10
10	949 - 573	1	LOCK NUT M16	10	75	949 - 611	1	BOLT M6X12	10
11	303 - 893	1	TABLE ASS'Y FOR AUTOMATIC FEED		76	949 - 686	4	ROLL PIN D6X40	10
12	949 - 237	1	MACHINE SCREW M5X12	10	77	988 - 889	1	TAPPING SCREW (W/WASHER) D4X25	
13	949 - 431	1	BOLT WASHER M5	10	78	995 - 062	1	TAPPING SCREW (W/WASHER) D4X16	
14	302 - 810	1	INDICATOR		79	995 - 062	2	TAPPING SCREW (W/WASHER) D4X16	
15	303 - 950	1	CAUTION LABEL (F)		80	303 - 948	1	SWITCH GUARD	
16	949 - 331	6	FLAT HD. SCREW M5X10	10	81	304 - 004	2	VINYL COVER	
17	949 - 248	1	MACHINE SCREW M5X40	10	82	303 - 947	1	SWITCH PLATE (A)	
18	949 - 454	1	SPRING WASHER M5	10	83	303 - 946	1	PILLAR TERMINAL	
19	949 - 431	1	BOLT WASHER M5	10	84	972 - 082Z	1	SWITCH (1P SOLDER TYPE)	
20	949 - 245	1	MACHINE SCREW M5X30	10	85	303 - 945	1	FASTON (C)	
21	949 - 431	1	BOLT WASHER M5	10	86	303 - 944	1	INSULATING SLEEVE	
22	302 - 849	1	SIDE COVER (B)		87	990 - 541	1	MACHINE SCREW (W/WASHERS) M5X1	
23	303 - 125	1	STEP (B) ASS'Y		88	302 - 828	1	SWITCH BOX	
24	303 - 109	2	GRIP		89	303 - 000	1	PACKING (A)	
25	303 - 126	2	HIGH TENSION BOLT M8X16		90	949 - 236	3	MACHINE SCREW M5X10	10
26	949 - 457	2	SPRING WASHER M8	10	91	302 - 826	1	CHIP GUIDE	
27	949 - 236	2	MACHINE SCREW M5X10	10	92	303 - 001	1	PIN D8X10	
28	996 - 534	1	CORD CLIP		93	949 - 431	1	BOLT WASHER M5	10
29		2	VINYL TUBE (A) (ID9.5XT0.7X20)		94	949 - 237	1	MACHINE SCREW M5X12	10
30	303 - 949	1	CORD		95		1	VINYL TUBE (A) (ID9.5XT0.7X20)	
31	302 - 804	1	FEED SCREW		96	302 - 829	1	SWITCH COVER	
32	949 - 235	2	MACHINE SCREW M5X8	10	97	996 - 255	2	TAPPING SCREW (W/WASHER) D4X20	
33	949 - 454	2	SPRING WASHER M5	10	98	302 - 815	1	BELT	
34	302 - 832	1	COVER (B)		99	302 - 852	1	CUPLING RUBBER	
35	302 - 833	1	PACKING		100	302 - 999	1	NUT (LEFT HAND) M10	
36	302 - 831	1	COVER (A)		101	302 - 760	1	BELLEVILLE SPRING M10	
37	302 - 830	1	GEAR BOX		102	302 - 998	1	WASHER (I)	
38	949 - 236	2	MACHINE SCREW M5X10	10	103	302 - 814	1	PULLEY (B)	
39	302 - 794	1	BEVEL GEAR (A)		104	967 - 270	1	RETAINING RING FOR D52 HOLE	
40	302 - 795	1	THRUST WASHER (A)		105	976 - 441	1	BEARING LOCK	
41	302 - 796	1	BUSHING		106	630 - 4VV	1	BALL BEARING 6304VVCMAV2S	
42	995 - 046	4	MACHINE SCREW (W/WASHERS) M5X1		107	304 - 005	1	CAUTION LABEL (B)	
43	303 - 939	1	TERMINAL COVER		108	949 - 510	2	RIVET D2.5X4.8	10
44	990 - 541	1	MACHINE SCREW (W/WASHERS) M5X1		109	303 - 962	1	CAUTION PLATE (X)	
47	996 - 530	1	NYLON CLIP		110		1	VINYL TUBE (ID8.5XT0.7X90)	
48	302 - 791	1	BASE ASS'Y		111	302 - 825	1	TAPPING SCREW D5X16	
49	964 - 851	4	BASE RUBBER		112	303 - 942	1	DECORATION NAME PLATE	
50	949 - 431	4	BOLT WASHER M5	10	113	949 - 233	1	MACHINE SCREW M5X55	10
51	949 - 241	4	MACHINE SCREW M5X20	10	114	949 - 454	1	SPRING WASHER M5	10
52	302 - 797	1	THRUST WASHER (B)		115	949 - 431	1	BOLT WASHER M5	10
53	302 - 798	1	SPECIAL NUT (A)		116	303 - 955	1	CHIP COVER	
54	302 - 799	1	SPECIAL NUT (B)		117		1	MOTOR (MODEL P100RA - M)	
55		4	COLUMN		118	949 - 660	4	HEX. SOCKET HD. BOLT M6X20	10
56	302 - 806	1	SIDE COVER (A)		119	303 - 113	1	LOCK PIN	
57	303 - 943	1	SCALE (A)		120	303 - 002	1	SPACER D6X8	
58	303 - 964	1	CAUTION LABEL (A)		121	972 - 793	1	BUTTON HEAD SOCKET SCREW M6X35	
59	303 - 941	1	NAME PLATE		122	302 - 774	1	SLOTTED PIN D2X8	
60	949 - 431	2	BOLT WASHER M5	10	123	968 - 643	1	RETAINING RING (E - TYPE) FOR D4	
61	949 - 245	2	MACHINE SCREW M5X30	10	124	988 - 810	1	LOCK SPRING	
62	949 - 548	1	ROLL PIN D4X25	10	125	303 - 004	1	ARM SPRING	
63	302 - 801	1	BEVEL GEAR (B)		126	303 - 003	1	TENSIONER ASS'Y	
64	302 - 802	1	WASHER		127	949 - 567	1	LOCK NUT M6	10
65	976 - 233	1	SENSOR SPRING		128	303 - 116	1	ARM	



# HITACHI PORTABLE PLANER JOINTER Model P 12RA

ITEM NO.	PART NO.	NO. USED	DESCRIPTION	SUPPLY Q'TY	ITEM NO.	PART NO.	NO. USED	DESCRIPTION	SUPPLY Q'TY
129	303 - 117	1	ARM PIECE		192	302 - 768	1	GUIDE ARM (A)	
130	303 - 118	1	METAL (A)		193	303 - 959	1	SAFETY COVER (C)	
131	303 - 119	1	SPECIAL BOLT M6X15		194	998 - 980	2	SPACER	
132	303 - 005	1	SPECIAL BOLT M8		195	949 - 431	2	BOLT WASHER M5	10
133	620 - 2VV	1	BALL BEARING 6202VVCMP2S		196	949 - 237	2	MACHINE SCREW M5X12	10
134	976 - 301	1	BEARING LOCK		197	949 - 216	2	MACHINE SCREW M4X10	10
135	939 - 556	1	RETAINING RING FOR D35 HOLE	10	198	302 - 782	1	NUT COVER	
136	302 - 823	1	LOCK RING (A)		199	949 - 214	2	MACHINE SCREW M4X6	10
137	949 - 457	1	SPRING WASHER M8	10	200	949 - 429	2	BOLT WASHER M4	10
138	949 - 568	1	LOCK NUT M8	10	201	972 - 040	1	STOP PIECE	
139	303 - 006	1	SPACER D4X10		202	988 - 810	1	LOCK SPRING	
140	949 - 453	1	SPRING WASHER M4	10	203	968 - 643	1	RETAINING RING (E - TYPE) FOR D4	
141	949 - 221	1	MACHINE SCREW M4X20	10	204	302 - 773	1	LOCK PIN	
142	945 - 072	1	FEATHER KEY 5X5X15		205	302 - 774	1	SLOTTED PIN D2X8	
143	302 - 781	16	BOLT		206	947 - 530	1	NUT (LEFT HAND) M8	
144	973 - 819	2	BLADE HOLDER	2	207	949 - 457	1	SPRING WASHER M8	10
145	972 - 011	2	PLANER BLADES (A) 317MM	2	208	302 - 775	1	NUT (A)	
146	302 - 812	1	CUTTER BLOCK (A) ASS'Y		209	302 - 776	1	LOCK RING (B)	
147	948 - 655	1	METAL SPRING (A)		210	949 - 332	1	FLAT HD. SCREW M5X12	10
148	302 - 818	1	METAL		211	302 - 772	1	BEARING HOLDER (B) ASS'Y	
149	972 - 017	1	METAL HOLDER (B)		212	600 - 1VV	1	BALL BEARING 6001VVCMP2L	
150	949 - 239	2	MACHINE SCREW M5X16	10	213	976 - 301	1	BEARING LOCK	
151	302 - 816	1	FEED ROLLER (A)		214	303 - 127	1	KNOB BOLT M8X75	
152	948 - 655	1	METAL SPRING (A)		215	302 - 770	1	KNOB BOLT M6X15	
153	302 - 818	1	METAL		216	949 - 510	4	RIVET D2.5X4.8	10
154	302 - 997	1	METAL HOLDER (A)		217		1	CAUTION PLATE (T)	
155	949 - 239	4	MACHINE SCREW M5X16	10	218		1	CAUTION LABEL (F)	
156	302 - 819	1	CHAIN COVER		219	949 - 214	1	MACHINE SCREW M4X6	10
157	302 - 845	1	SPROCKET		220	949 - 429	1	BOLT WASHER M4	10
158	949 - 433	1	BOLT WASHER M8	10	221	303 - 953	1	SCALE (C)	
159	949 - 457	1	SPRING WASHER M8	10	222	949 - 613	1	BOLT M6X16	10
160	949 - 568	1	LOCK NUT M8	10	223	949 - 331	8	FLAT HD. SCREW M5X10	10
161	948 - 655	1	METAL SPRING (A)		224	302 - 765	1	JOINTER PLATE (B)	
162	302 - 818	1	METAL		225	302 - 770	1	KNOB BOLT M6X15	
163	972 - 017	1	METAL HOLDER (B)		226	302 - 853	1	SHAFT (B)	
164	949 - 239	2	MACHINE SCREW M5X16	10	227	949 - 457	1	SPRING WASHER M8	10
165	302 - 817	1	FEED ROLLER (A)		228	949 - 628	1	BOLT M8X30	10
166	302 - 996	1	METAL SPRING (B)		229	302 - 851	1	CUPLING	
167	302 - 818	1	METAL		230	949 - 433	1	BOLT WASHER M8	10
168	302 - 997	1	METAL HOLDER (A)		231	949 - 457	1	SPRING WASHER M8	10
169	931 - 008	1	FEATHER KEY 4X4X12		232	949 - 568	1	LOCK NUT M8	10
170	303 - 956	1	SPROCKET (A)		233	949 - 236	2	MACHINE SCREW M5X10	10
171	302 - 845	1	SPROCKET		234	303 - 960	1	SHOOT	
172	949 - 433	1	BOLT WASHER M8	10	235	949 - 216	1	MACHINE SCREW M4X10	10
173	949 - 457	1	SPRING WASHER M8	10	236	949 - 792	3	FLAT HD. SCREW M5X6	10
174	949 - 568	1	LOCK NUT M8	10	237	949 - 331	5	FLAT HD. SCREW M5X10	10
175	303 - 957	1	CHAIN (38 LINK)		238	302 - 764	1	JOINTER PLATE	
176	302 - 822	1	CHAIN (34 LINK)		239	949 - 695	2	BOLT M10X35	10
177	303 - 952	1	JOINTER TABLE ASS'Y		240	302 - 760	2	BELLEVILLE SPRING M10	
178	303 - 940	1	SAFETY COVER (A) ASS'Y		241	949 - 434	2	BOLT WASHER M10	10
179	949 - 510	2	RIVET D2.5X4.8	10	242	996 - 263	1	KNOB	
180	973 - 948	1	CAUTION PLATE (S)		243	949 - 548	1	ROLL PIN D4X25	10
181	947 - 603	1	SPRING (B)		244	965 - 502	3	SPECIAL NUT M10	
182	304 - 002	1	GUIDE		245	949 - 434	1	BOLT WASHER M10	10
183	988 - 167	2	HIGH TENSION BOLT M8X20		246	302 - 761	1	FEED SCREW (B)	
184	949 - 433	2	BOLT WASHER M8	10	247	949 - 434	1	BOLT WASHER M10	10
185	302 - 769	1	GUIDE ARM (B)		248	949 - 870	1	ROLL PIN D4X22	10
186	949 - 431	4	BOLT WASHER M5	10	249	302 - 781	8	BOLT	
187	949 - 239	4	MACHINE SCREW M5X16	10	250	302 - 780	2	BLADE HOLDER (B)	2
188	302 - 788	1	GUIDE SHAFT (B)		251	303 - 761	2	PLANER BLADES 156MM	2
189	949 - 555	1	NUT M5	10	252	302 - 777	1	CUTTER BLOCK (B) ASS'Y	
190	949 - 243	1	MACHINE SCREW M5X25	10	253	949 - 216	6	MACHINE SCREW M4X10	10
191	302 - 787	1	GUIDE SHAFT (A)		254	302 - 779	2	SPRING COVER	



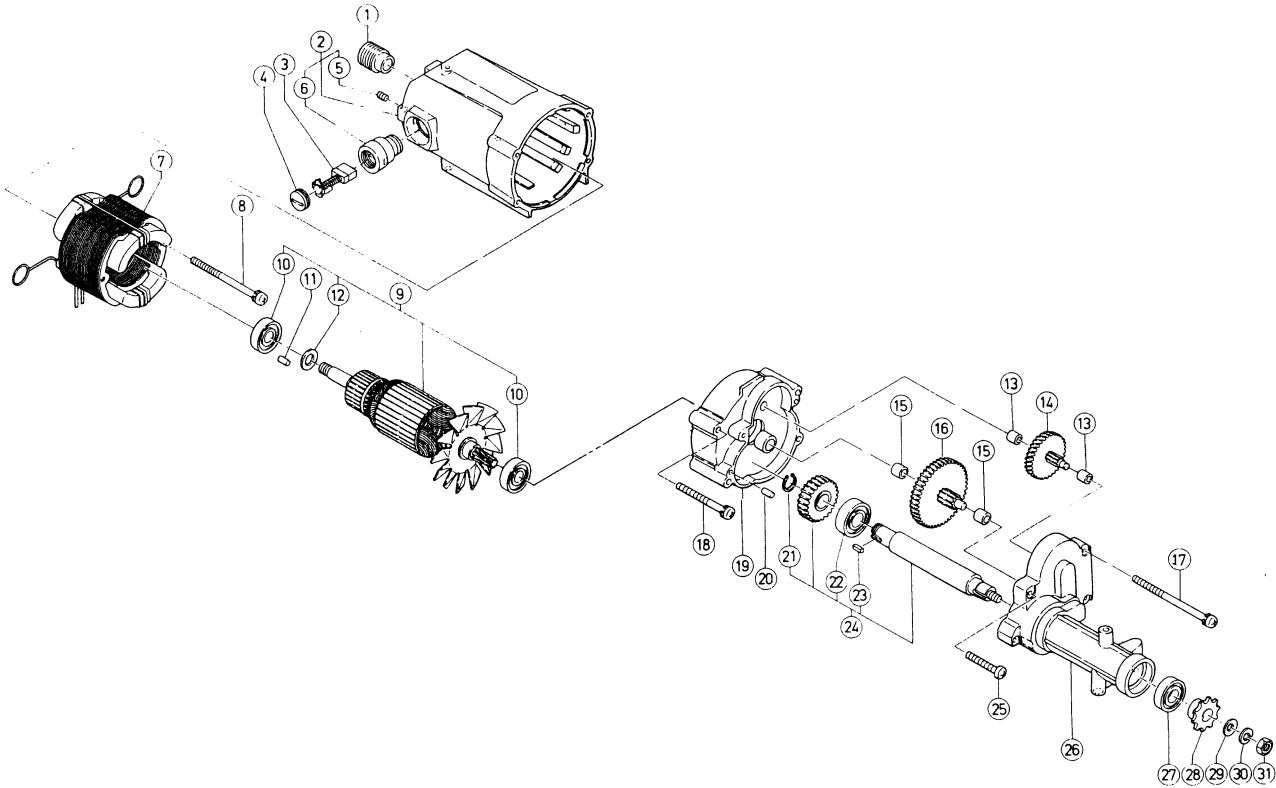
# HITACHI PORTABLE PLANER JOINTER Model P 12RA

ITEM NO.	PART NO.	NO. USED	DESCRIPTION	SUPPLY Q'TY	ITEM NO.	PART NO.	NO. USED	DESCRIPTION	SUPPLY Q'TY
255	302 - 778	2	SPRING		704	972 - 043	1	WRENCH 10/13MM	
256	948 - 919	1	FEATHER KEY 4X4X15		705	302 - 827	1	PULLEY COVER	
257	302 - 848	1	DISTANCE WASHER		706	995 - 062	1	TAPPING SCREW (W/WASHER) D4X16	
258	620 - 1VV	1	BALL BEARING 6201VVCMP2S		707	976 - 448	1	WASHER (B)	
259	302 - 854	1	KNOB BOLT M8X25		708	998 - 836	1	KNOB BOLT M8X11	
260	949 - 237	2	MACHINE SCREW M5X12	10	709	949 - 567	1	LOCK NUT M6	10
701	973 - 852	2	SETTING GAUGE (A)		710	973 - 859Z	1	PUSHING BLOCK	
702	302 - 300	1	WRENCH (HEX. SOCKET 10/10MM)		711	303 - 894	1	LUBRICANT OILER (120CC)	
703	967 - 746	1	BOX WRENCH 10MM						



# HITACHI PORTABLE PLANER JOINTER Model P 12RA

## MOTOR Model P100RA-M



ITEM NO.	PART NO.	NO. USED	DESCRIPTION	SUPPLY Q'TY	ITEM NO.	PART NO.	NO. USED	DESCRIPTION	SUPPLY Q'TY
1	302 - 847	1	PULLEY (A)		17	976 - 816	3	TAPPING SCREW (W/SP.WASHER) D5X75	
2	302 - 838	1	HOUSING ASS'Y		18	951 - 871	1	TAPPING SCREW (W/SP.WASHER) D5X50	
3	974 - 611Z	2	CARBON BRUSH	2	19	302 - 839	1	INNER COVER ASS'Y	
4	978 - 445	2	BRUSH CAP		20	949 - 466	2	PIN D5X12	10
5	966 - 426	2	HEX. SOCKET SET SCREW M5X8		21	939 - 544	1	RETAINING RING FOR D15 SHAFT	10
6	974 - 567	2	BRUSH HOLDER		22	620 - 2VV	1	BALL BEARING 6202VVCMP2S	
7	340 - 234C	1	STATOR 115V		23	930 - 511	1	FEATHER KEY 4X4X10	
8	976 - 816	2	TAPPING SCREW (W/SP.WASHER) D5X75		24	302 - 842	1	FINAL SHAFT ASS'Y	
9	360 - 219	1	ARMATURE ASS'Y 115V		25	949 - 243	1	MACHINE SCREW M5X25	10
10	620 - 1DD	2	BALL BEARING 6201DDUCMAV2S		26	302 - 843	1	GEAR CASE ASS'Y	
11	976 - 441	1	BEARING LOCK		27	600 - 2VV	1	BALL BEARING 6002VVCMP2S	
12	302 - 848R	1	DISTANCE WASHE		28	302 - 845	1	SPROCKET	
13	302 - 846	2	BEARING METAL		29	949 - 433	1	BOLT WASHER M8	10
14	302 - 840	1	FIRST GEAR		30	949 - 457	1	SPRING WASHER M8	10
15	303 - 111	2	BEARING METAL		31	949 - 568	1	LOCK NUT M8	10
16	302 - 841	1	SECOND GEAR						



## Lubrication Places and Types of Lubricants:

- (1) Motor Section:  
Hitachi Motor Grease No. 29 (Code No. 930-035) is used in the gear chamber of the Inner Cover and the Gear Case. Prior to reassembly, thoroughly remove old grease and apply 100g of new grease.
- (2) Head Section:  
Machine oil is used to lubricate the outer circumference of the Columns the Chains, the Sprockets, and the Arm Piece. As the Feed Roller (A) bearings are constructed of ferric sintered alloy, it should be immersed in #3 turbine oil.
- (3) Automatic Planer Table Section:  
Hitachi Motor Grease No. 29 (Code No. 930-035) is used on Bearing Gears (A) and (B), and the insides of the Automatic Planer Table Columns. Apply machine oil to the boss bearing portion of the handle, and the round handle bearings.
- (4) Feed Screw Sections:  
Liberal apply Hitachi Motor Grease No. 29 (Code No. 930-035) to the threaded portions of Feed Screws.
- (5) Jointer Table Ass'y Section  
Apply machine oil to the sliding surfaces of the Front Table.

## Wiring Diagram:

