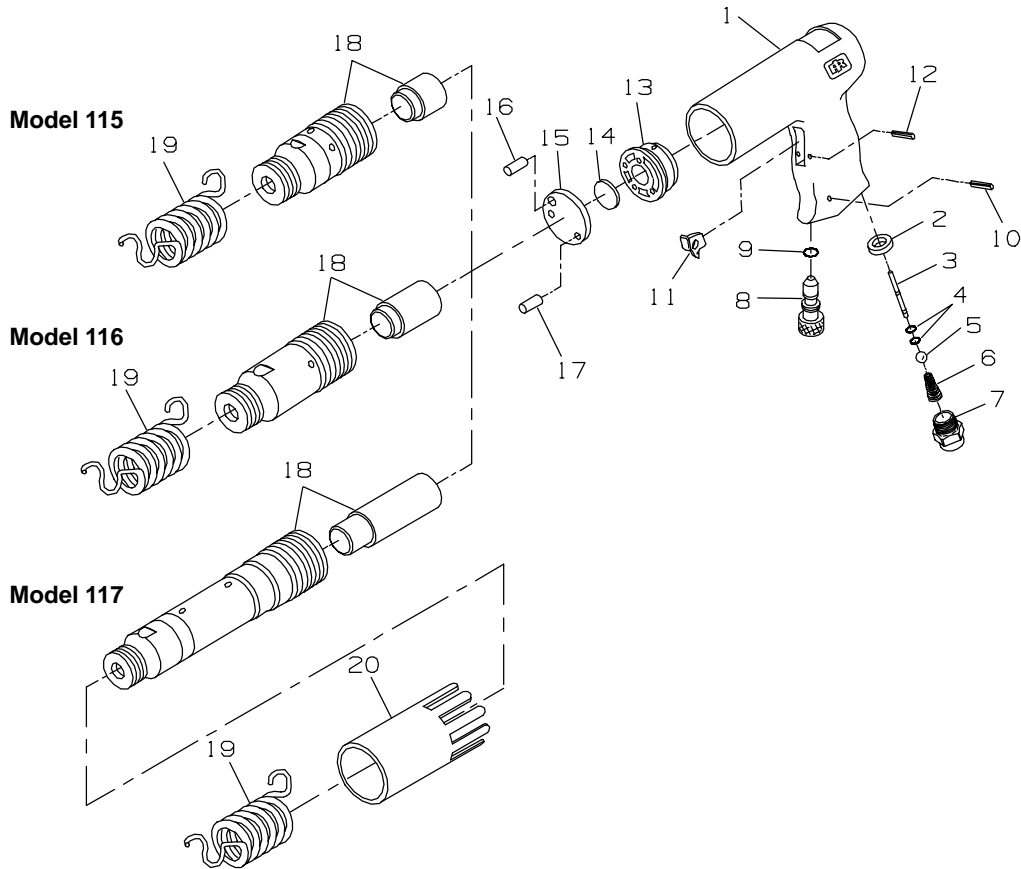




# MODELS 115, 116, 117 AND 115-EU, 116-EU, 117-EU AIR HAMMERS



(TPC589)

## PART NUMBER FOR ORDERING

1	Handle for 115 ..... for 115-EU ..... for 116, 116H, 117 and 117H ..... for 116-EU, 116H-EU, 117-EU and 117H-EU ....	115-59 115-EU-59 117-59 117-EU-59	17	Valve Cap Alignment Pin (small diameter) .....	115-32
*	Warning Label for 115, 116, 116H, 117 and 117H ..... for models ending in-EU ...	WARNING-6-99 EU-99	18	Barrel Assembly (includes piston) for 115 ..... for 116 ..... for 116H ..... for 117 ..... for 117H .....	115-A6 116-A6 116H-A6 117-A6 117H-A6
2	Throttle Ball Seat .....	116-303	19	Spring Retainer .....	115-183
3	Throttle Plunger Assembly .....	117-A64	20	Exhaust Deflector (for 117 and 117H only) .....	117-23
4	Throttle Plunger O-ring (2) ...	117-168	*	Nameplate for 115 ..... for 115-EU ..... for 116 ..... for 116-EU ..... for 116H ..... for 117 ..... for 117-EU ..... for 117H .....	115-301 115-EU-301 116-301 116-EU-301 116H-301 117-301 117-EU-301 117H-301
5	Throttle Ball .....	116-50	*	Nameplate Drive Screw (2) .....	222-302
6	Throttle Ball Spring .....	116-11	*	Body Shop Chisel Kit .....	116-K5
7	Inlet Bushing .....	117-565			
8	Power Regulator Assembly .....	117-A250			
9	Regulator O-ring .....	117-167			
10	Regulator Retaining Pin .....	116-120			
11	Trigger .....	115-93			
12	Trigger Pin .....	116-121			
13	Valve Seat .....	115-3			
14	Valve .....	115-2			
15	Valve Cap .....	115-4			
16	Valve Cap Alignment Pin (large diameter) .....	115-31			

\* Not illustrated.