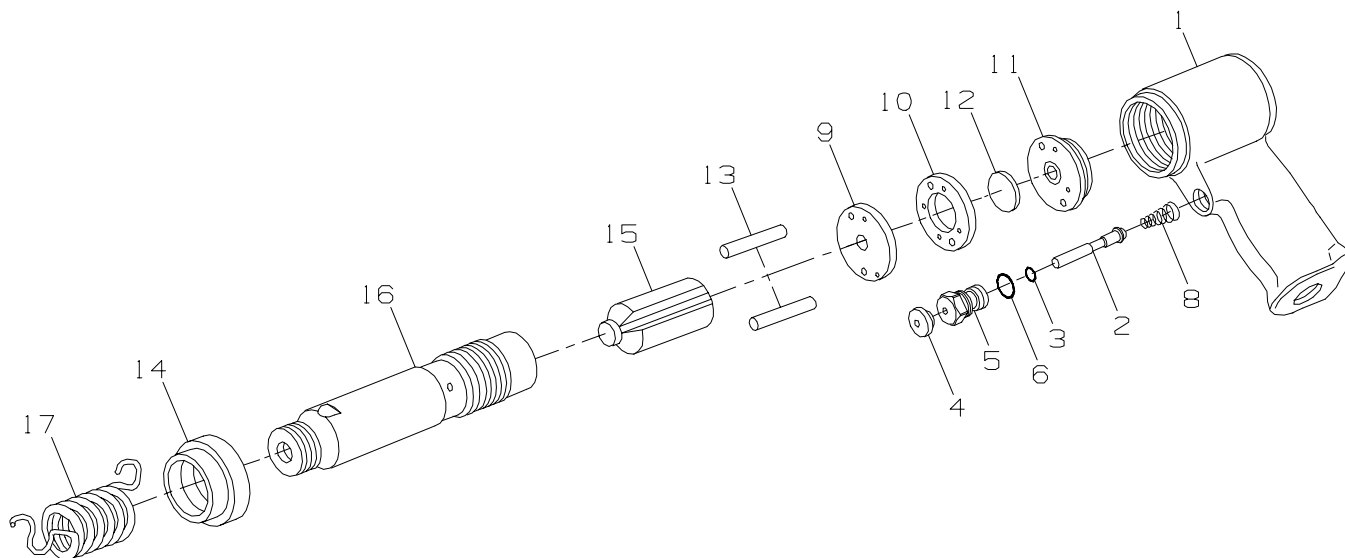




MODELS 121 AND 121-EU AIR HAMMERS



(TPC507)

PART NUMBER FOR ORDERING

1	Offset Handle Assembly for 121	NMC10B-A59	9	Valve Seat	MC121-3
	for 121-EU	NMC10B-EU-A59	10	Valve Spacer	MC121-8
*	Warning Label for 121	WARNING-6-99	11	Valve Cap	MC121-4
	for 121-EU	7801-EU-99	12	Valve	MC121-2
	Throttle Valve Assembly	MC10B-A302	13	Dowel Pin (2)	MC121-32
2	Throttle Valve	MC121-302	14	Exhaust Deflector	AV11-85
3	Throttle Valve Face	R00B1-159	15	Piston	MC121-5
4	Throttle Valve Button	R00AR2C-305A	16	Barrel	NMC121-6
5	Throttle Valve Bushing Assembly	MC10B-A503	17	Quick-Change Tool Retainer	AVC10-183A
6	Throttle Valve Bushing Seal	R000BR-210			
8	Throttle Valve Spring	508-51			

* Not illustrated.