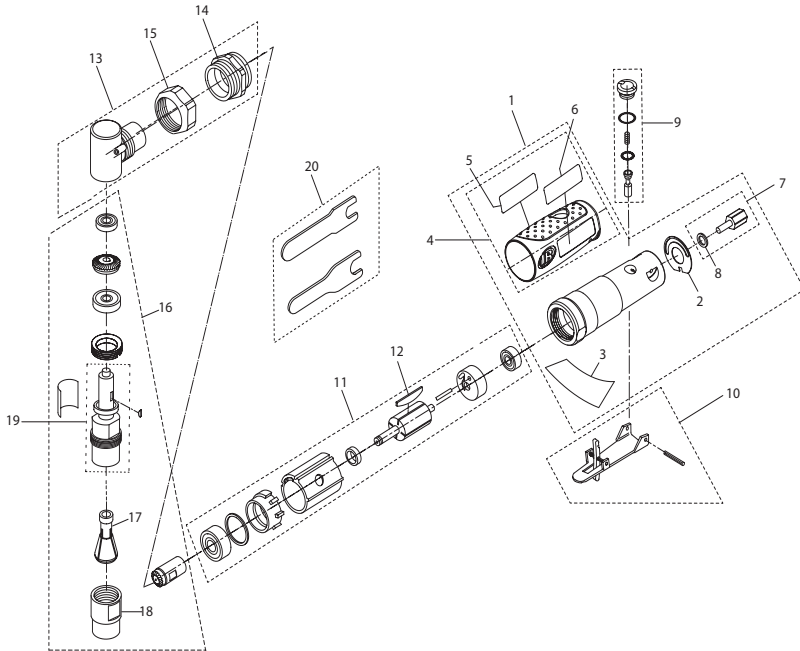


3102 and 3102-EU Air Die Grinder Exploded Diagram



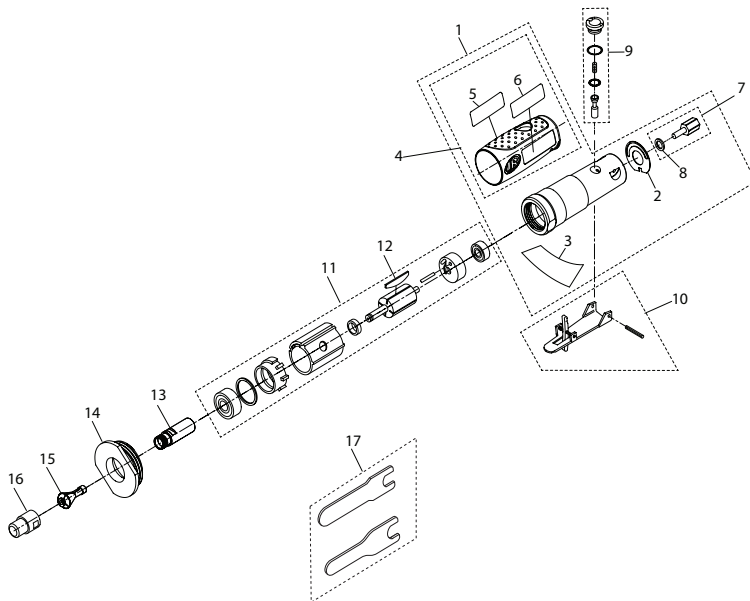
(Dwg. TP2234)

3102 and 3102-EU Air Die Grinder Parts List

Item	Part Description	Part Number	Item	Part Description	Part Number
1	Housing Assembly		10	Lever Assembly	3102-A400
	for 3102	3102-A40		11	Motor Assembly
	for 3102-EU	3102-EU-A40	12		Vane Set (4)
2	Gasket	3102-283	13	Elbow Assembly	3102-A550
3	Warning Label	3102-99	14	Clamp Nut	3102-306
4	Sleeve Assembly		15	Nut	3102-27
	for 3102	3102-A747		16	Pinion Assembly
	for 3102-EU	3102-EU-A747	for 3102		302A-A551
5	Nameplate		for 3102-EU	302A-EU-A551	
	for 3102	3102-301	17	Collet	
	for 3102-EU	3102-EU-301		for 3102 (1/4")	301-700
6	Label	3108-300	*	for 3102-EU (6 mm)	301-700B
7	Inlet Bushing Assembly	3102-565	18	Collet Nut	301-699
8	O-Ring	301-251	19	Arbor Kit	301-K591A
9	Throttle Valve Assembly	3102-A302	20	Wrench Kit	301-69

* Note: All EU models are supplied with 6 mm Collet, assembled with the tool. However another 1/4" collet, part number 301-700 is given as an accessory packed separately in the box.

3108 and 3108-EU Air Die Grinder Exploded Diagram



(Dwg. TP2235)

3108 and 3108-EU Air Die Grinder Parts List

Item	Part Description	Part Number	Item	Part Description	Part Number
1	Housing Assembly		9	Throttle Valve Assembly	3102-A302
	for 3108	3108-A40	10	Lever Assembly	3102-A400
	for 3108-EU	3108-EU-A40	11	Motor Assembly	3102-A53
2	Gasket	3102-283	12	Vane Set (4)	3102-42-4
3	Warning Label	3102-99	13	Collet Body	307A-214
4	Sleeve Assembly		14	Clamp Nut	3108-27
	for 3108	3108-A747	15	Collet	
	for 3108-EU	3108-EU-A747		for 3108 (1/4")	301-700
5	Nameplate		*	for 3108-EU (6 mm)	301-700B
	for 3108	3108-301	16	Collet Nut	301-699
	for 3108-EU	3108-EU-301	17	Wrench Kit	301-69
6	Label	3108-300			
7	Inlet Bushing Assembly	3102-565			
8	O-Ring	301-251			

* Note: All EU models are supplied with 6 mm Collet, assembled with the tool. However another 1/4" collet, part number 301-700 is given as an accessory packed separately in the box.

Parts and Maintenance

When the life of the tool has expired, it is recommended that the tool be disassembled, degreased and parts be separated by material so that they can be recycled.

Tool repair and maintenance should only be carried out by an authorized Service Center. Refer all communications to the nearest **Ingersoll Rand** Office or Distributor.

Related Documentation

For additional information refer to:
 Air Die Grinder Product Safety Information Manual 04580288.
 Air Die Grinder Product Information Manual 16573487.

Manuals can be downloaded from www.irtools.com.