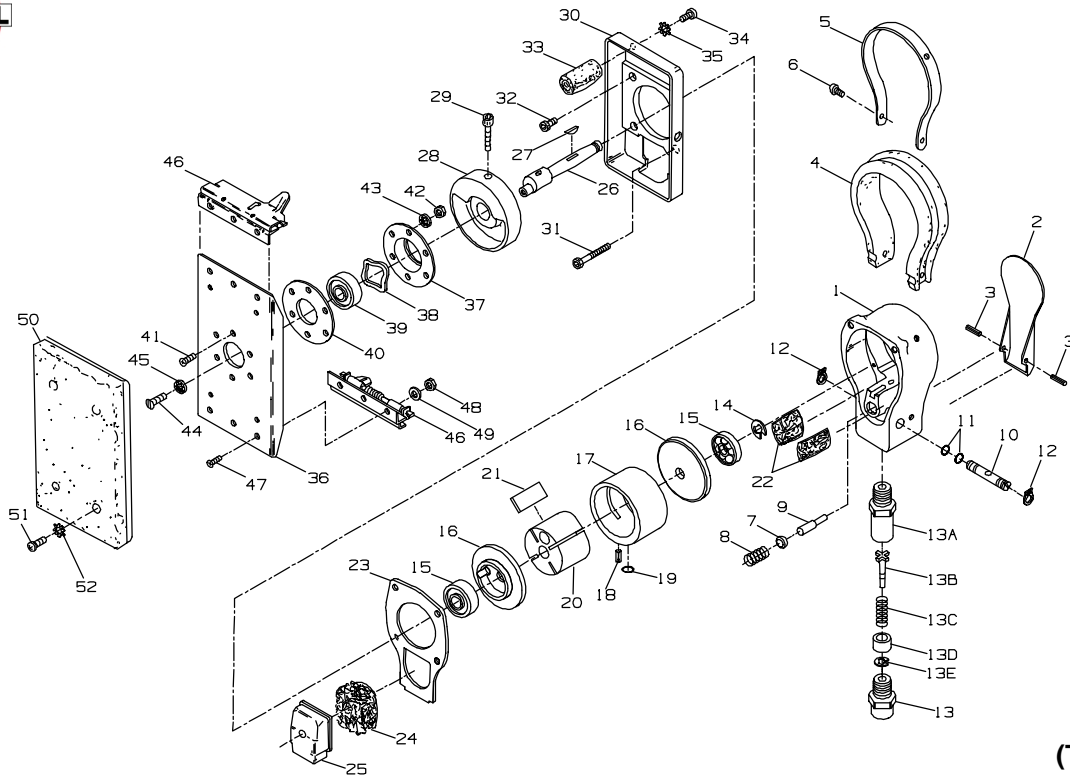




MODELS 312 AND 312-EU ORBITAL SANDERS



(TPB740-1)

PART NUMBER FOR ORDERING

1	Cylinder Case	312-25	29	Counterweight Retaining Screw	312-238
2	Throttle Lever	312-273	30	Sander Base	312-30
3	Throttle Lever Pin (2)	312-15	31	Long Cylinder Case Screw (2)	310-103
4	Hand Grip	312-109	32	Short Cylinder Case Screw (2)	310-104
5	Grip Retaining Band	312-110	33	Rubber Mount (4)	312-232
6	Retaining Band Screw (4)	312-112	34	Mount Retaining Screw (4)	312-58
7	Throttle Valve	310-302	35	Lock Washer (4)	312-60
8	Throttle Valve Spring	310-51	36	Sanding Pad Shoe	312-226
9	Throttle Valve Plunger	312-161	37	Shoe Bearing Housing	312-73
10	Speed Regulator Assembly	312-A249	38	Shoe Bearing Spring Washer	312-278
11	Regulator Seal (2)	310-169	39	Sanding Pad Shoe Bearing	312-22
12	Regulator Retainer (2)	7802-118	40	Bearing Housing Spacer	312-81
13	Inlet Bushing	7802-465	41	Bearing Housing Retaining Screw (6)	312-658
13A	Flow Regulator Housing	312-213	42	Retaining Screw Nut (6)	312-659
13B	Flow Ring Stem	312-216	43	Retaining Screw Lock Washer (6)	312-660
13C	Flow Regulator Spring	312-214	44	Shoe Bearing Retaining Screw	312-258
13D	Flow Regulator Body	312-212	45	Retaining Screw Lock Washer	312-260
13E	Regulator Retaining Ring	312-215	46	Sanding Pad Clamp (2)	312-229
14	Rear End Plate Retainer	310-55	47	Pad Clamp Retaining Screw (6)	312-158
15	Rotor Bearing (2)	310-24	48	Pad Clamp Nut (6)	312-159
16	End Plate (2)	310-12	49	Pad Clamp Lock Washer (6)	312-660
17	Cylinder Assembly	310-A3	50	Sanding Pad	312-225
18	Cylinder Alignment Pin	310-98	51	Sanding Pad Retaining Screw (4)	312-58
19	Cylinder Port Seal	310-167	52	Sanding Pad Lock Washer (4)	312-60
20	Rotor	312-53	*	Nameplate	
21	Vane Packet (set of 4 Vanes)	310-42-4		for 312	312-301
22	Cylinder Case Element (2)	312-310		for 312-EU	312-EU-301
23	Cylinder Case Gasket	312-739			
24	Muffler Element	312-311			
25	Muffler	312-123			
26	Arbor	312-4	*	Warning Label	
27	Rotor Key	310-52		for 312	WARNING-5-99
28	Counterweight	312-236		for 312-EU	EU-99

* Not illustrated.